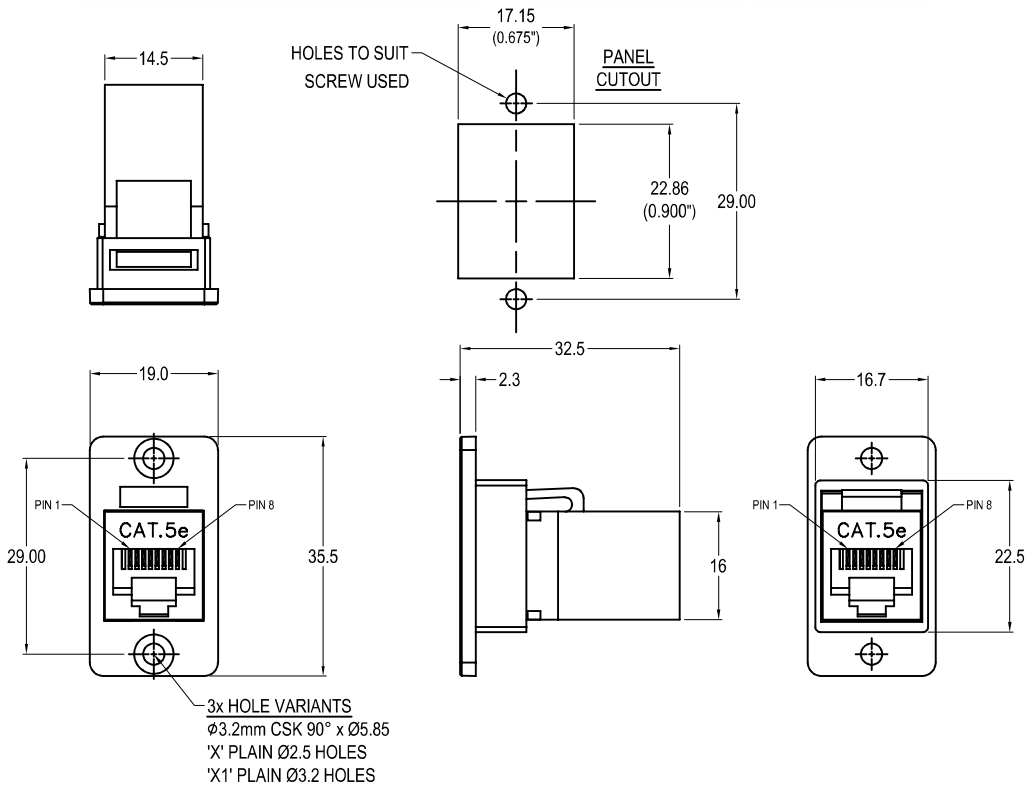


CLIFF

SLIM CAT5e RJ45 FRONT MOUNTING FEEDTHROUGH CONNECTOR



Part No.

CP30620

SLIM FM Cat5e RJ45 Black plastic frame, CSK holes

CP30620X

SLIM FM Cat5e RJ45 Black plastic frame, Ø2.5 PLAIN holes

CP30620X1

SLIM FM Cat5e RJ45 Black plastic frame, Ø3.2 PLAIN holes

Feedthrough Features

- Fits standard rectangular cutout.
- Various hole mounting options.
- No soldering or punch termination. Use standard cable for each connector style.
- Low rear profile.

General:

Please note: Functionality is affected by cable quality, length and cable wiring configuration.

Material:

1. RJ45 In-Line Coupler: ABS UL94-V0
2. RJ45 In-Line Coupler Contact: Phosphor Bronze, 3-50 micro inches gold plating over nickel plate.

3. PCB: FR4

4. Frame: Polyamide UL94-V2

Performance:

1. T568A & T568B wiring.
2. Meet ISO/IEC 11801 and EN50173
3. Meet ANSI/TIA/EIA 568B.2
4. Rating 125VAC RMS 1.5A
5. Operating Temperatures: Min -10°C Max +60°C