

FLANGE RECEPTACLE - MIC PACKAGE
9.5 mm SQUARE

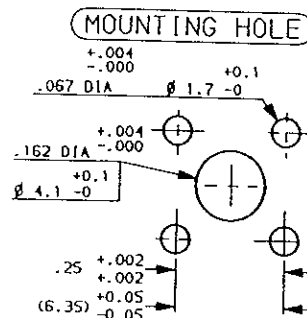
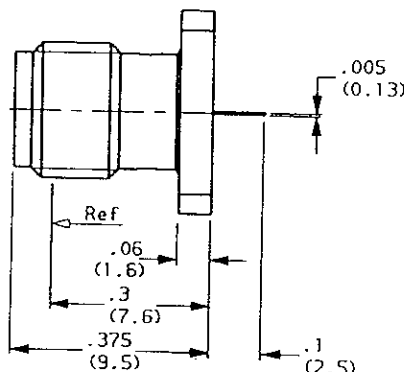
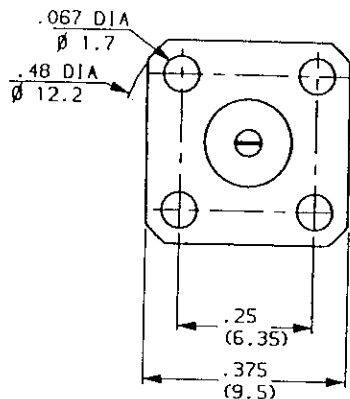
Issue : 9526

Page

SERIES:

SMA

01/01



CHARACTERISTICS

NOMINAL IMPEDANCE	50	Ω
FREQUENCY RANGE	0 - 18	GHz
TEMPERATURE RATING	-65 / +165	°C
VSWR	1.05 +0.005F (GHz)	Max
RF INSERTION LOSS	-	dB Max
VOLTAGE RATING	600	Vrms
DIELECTRIC WITHSTANDING VOLTAGE	1000	Vrms
INSULATION RESISTANCE	5000	MΩ
HERMETIC SEAL	-	cc/s cm ³ /s
LEAKAGE (pressurized only)	0	psi kg/cm ²

STANDARDISATION	-
CABLE RETENTION	0 Lb Max - N Max
CENTER CONTACT RETENTION	
Axial force - mating end	6.075 Lb Max 27 N Max
Axial force - opposite end	6.075 Lb Max 27 N Max
Torque (Max)	3.96928 inch.oz 2.8 cm.N
MATING TORQUE RECOMMENDED	0 inch. Lb - cm. N

CONSTRUCTION

CONNECTOR PARTS	MATERIALS	FINISH
Body	Stainless steel	Passivated
Outer contact	-	-
Center contact	Beryllium copper	Gold 1.3 μm over Ni 2 μm
Insulators	PTFE	-
-	-	-
-	-	-
-	-	-
-	-	-
-	-	-
-	-	-

ISSUE	REVISION No	DESCRIPTION	BY	DATE

Initiated on 12-09-89
Superseded on

The information given here is subject to change without notice. Design changes may be in order to improve the product.

