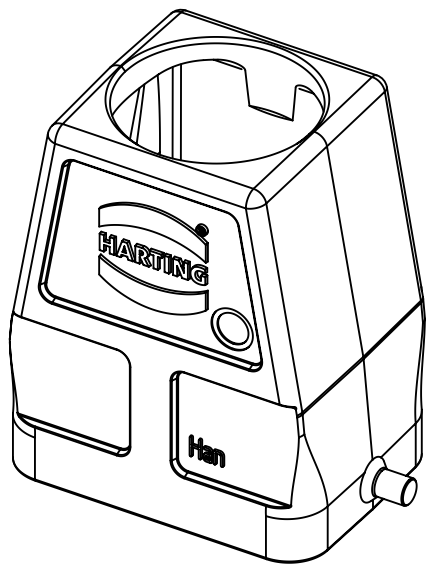
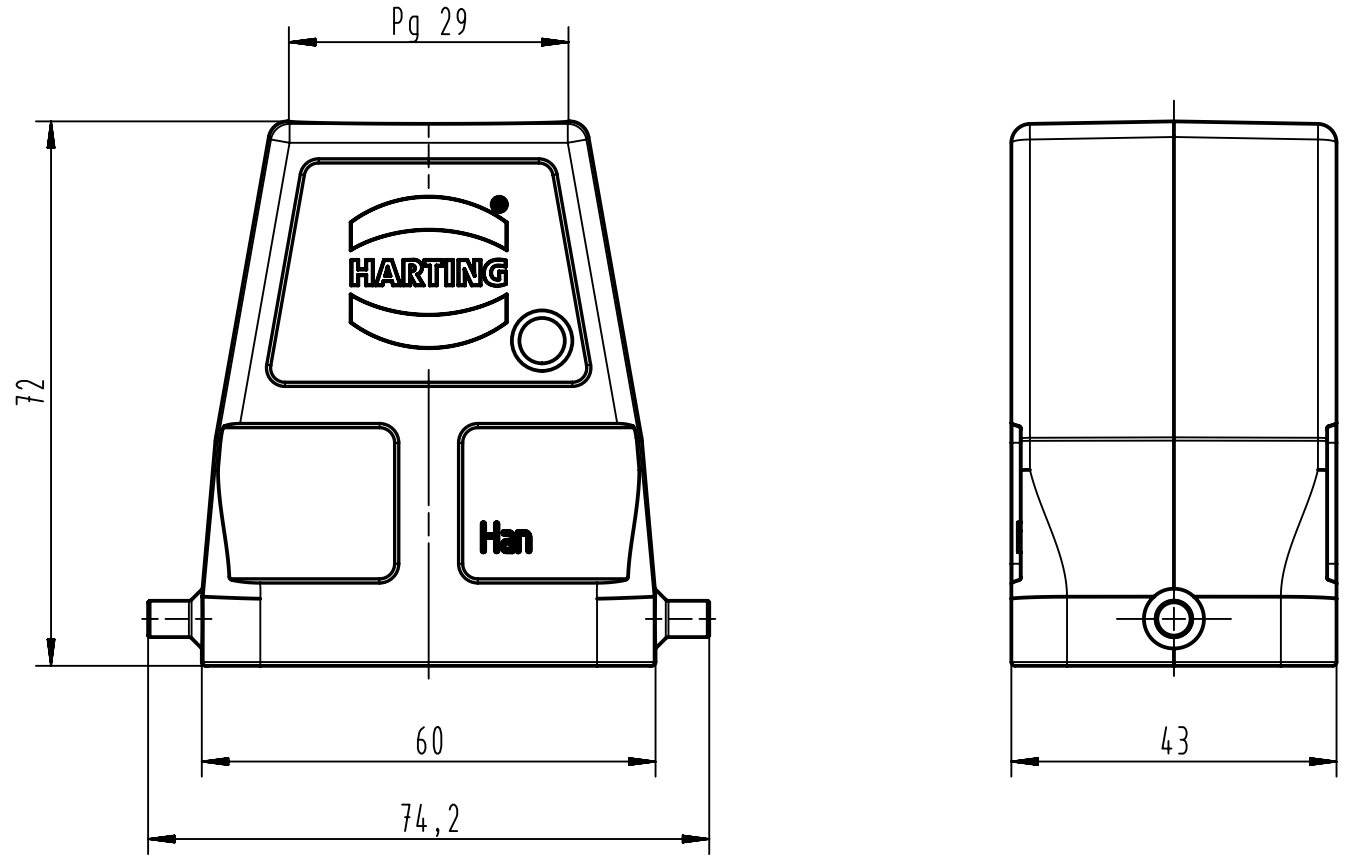
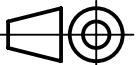


1 2 3 4 5 6

A
B
C
D



	All Dimensions in mm Original Size DIN A4		Scale 1:1		Free size tol.		Ref.	
	All rights reserved		Created by SCHULZI		Inspected by BERGHORN		Standardisation TIEMANNA	
Department EL PD - DE		Date 2013-03-27		State Final Release		Doc-Key / ECM-Nr. 100530415/UGD/004/A		
HARTING Electric GmbH & Co. KG D-32339 Espelkamp		Title HAN 6B-GG-29				Rev. A		Page 1/1
		Type TB		Number 09 30 006 0447				