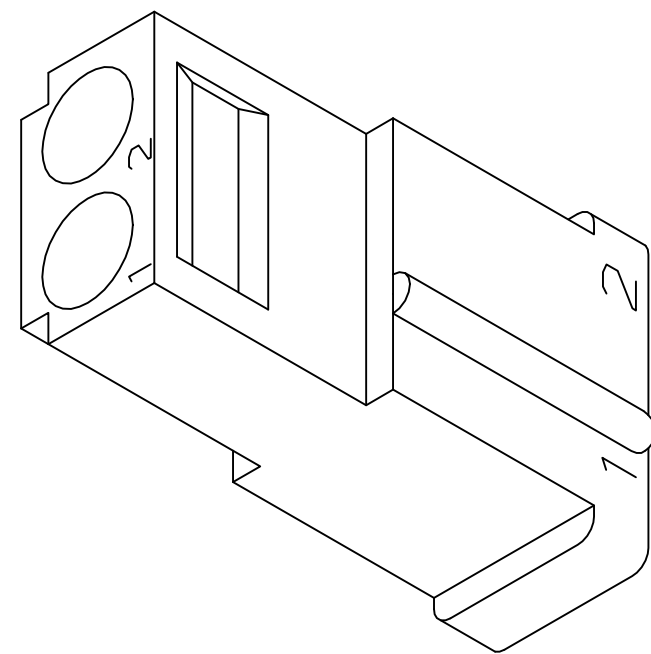
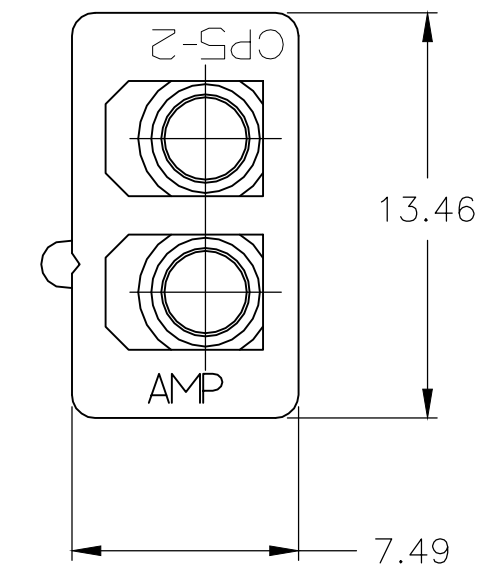
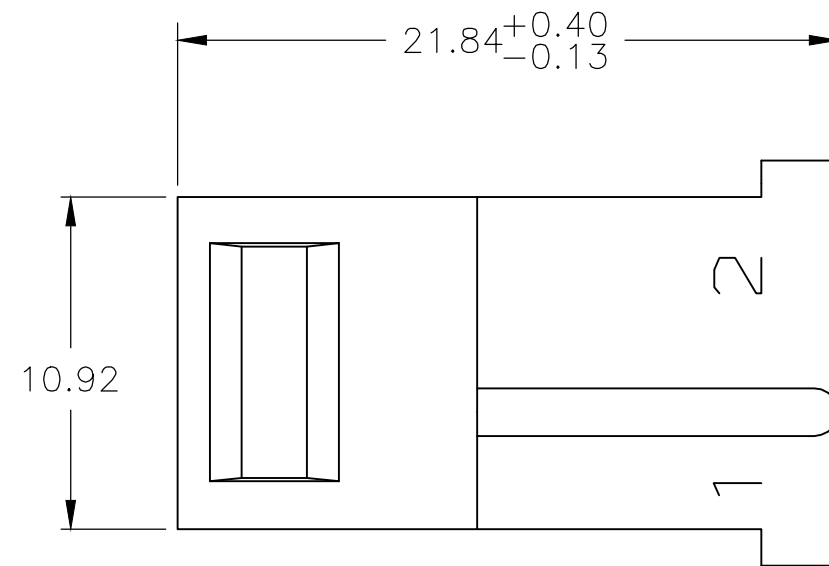
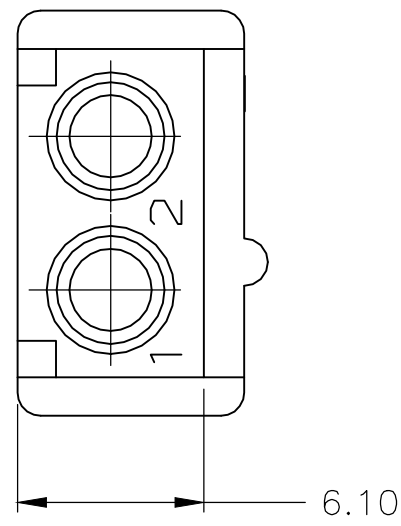


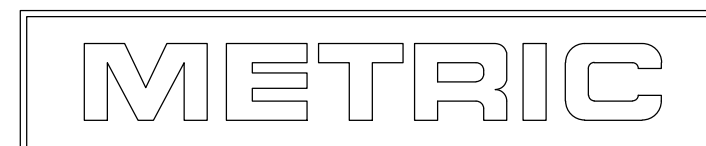
THIS DRAWING IS UNPUBLISHED. RELEASED FOR PUBLICATION
 © COPYRIGHT - By - ALL RIGHTS RESERVED.

REVISIONS				
P	LTR	DESCRIPTION	DATE	APVD
S3		REVISED PER ECR-19-003554	21NOV2019	WH DZ

- 1 THIS PLUG TO BE USED WITH CAP NO. 480319.
- 2 TO BE USED WITH APPROPRIATE COMMERCIAL MATE-N-LOK™ SOCKETS.
- 3 DIMENSIONS IN BRACKETS ARE IN INCHES.



3-DIMENSIONAL MODELS
NTS



NATURAL UL94V-0	2-480318-0
BLACK UL94V-2	1-480318-9
YELLOW UL94V-2	1-480318-4
NATURAL UL94V-2	1-480318-0
COLOR	PART NUMBER

THIS DRAWING IS A CONTROLLED DOCUMENT.		DWN K. WHITAKER 04NOV2005	STE TE Connectivity	
DIMENSIONS: mm		CHK D. COLEY 04NOV2005		
TOLERANCES UNLESS OTHERWISE SPECIFIED:		APVD D. COLEY 04NOV2005	NAME PLUG 2 CIRCUIT COMMERCIAL MATE-N-LOK (TM)	
0 PLC ± -		PRODUCT SPEC 108-1000	SIZE A2	
1 PLC ± -		APPLICATION SPEC 114-1012	CAGE CODE 00779	DRAWING NO C=480318
2 PLC ± 0.13		WEIGHT -	RESTRICTED TO -	
3 PLC ± -		CUSTOMER DRAWING	SCALE N/A	SHEET 1 of 1
4 PLC ± -			REV S3	
ANGLES ± 5°				
FINISH -				