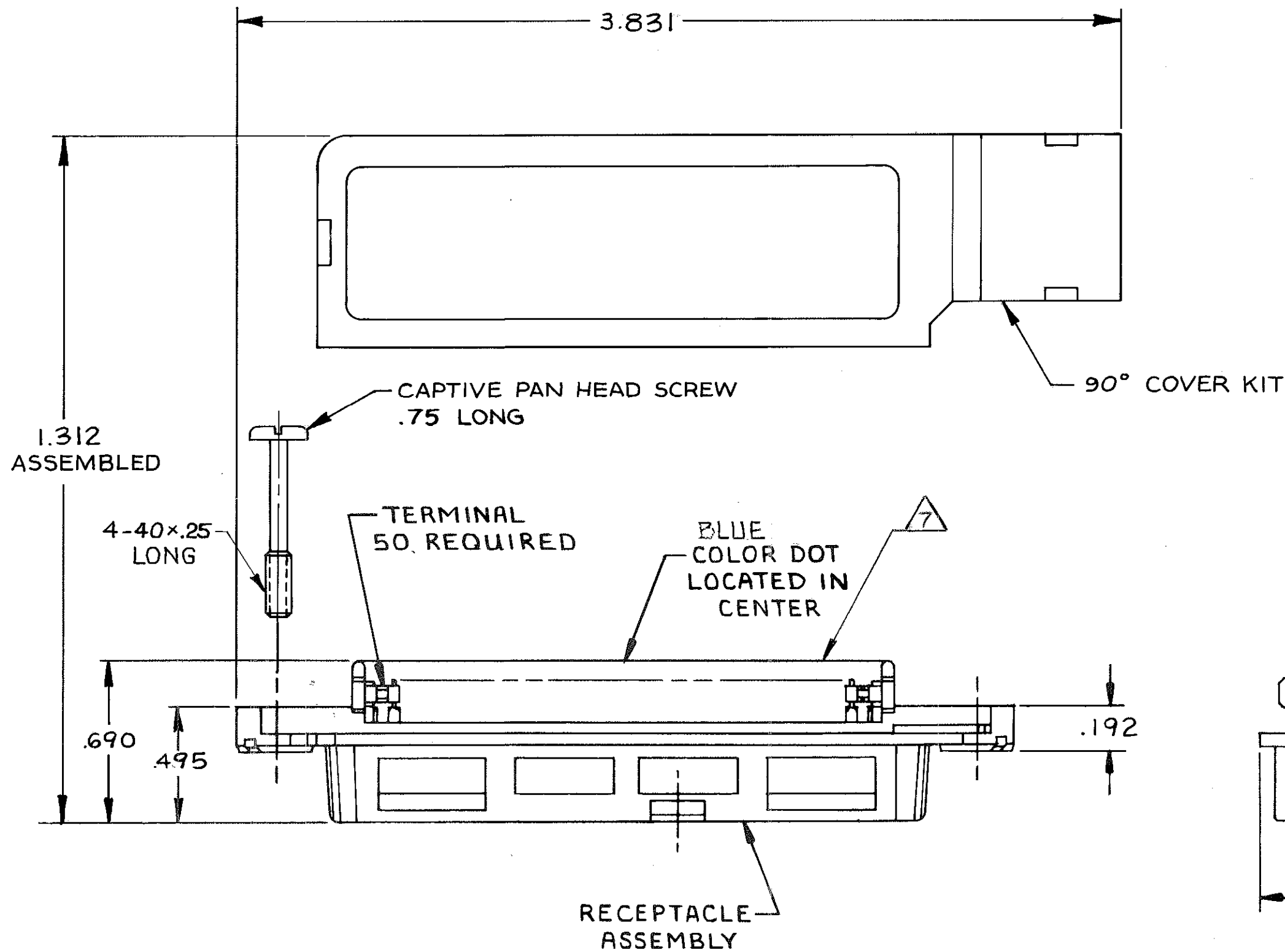
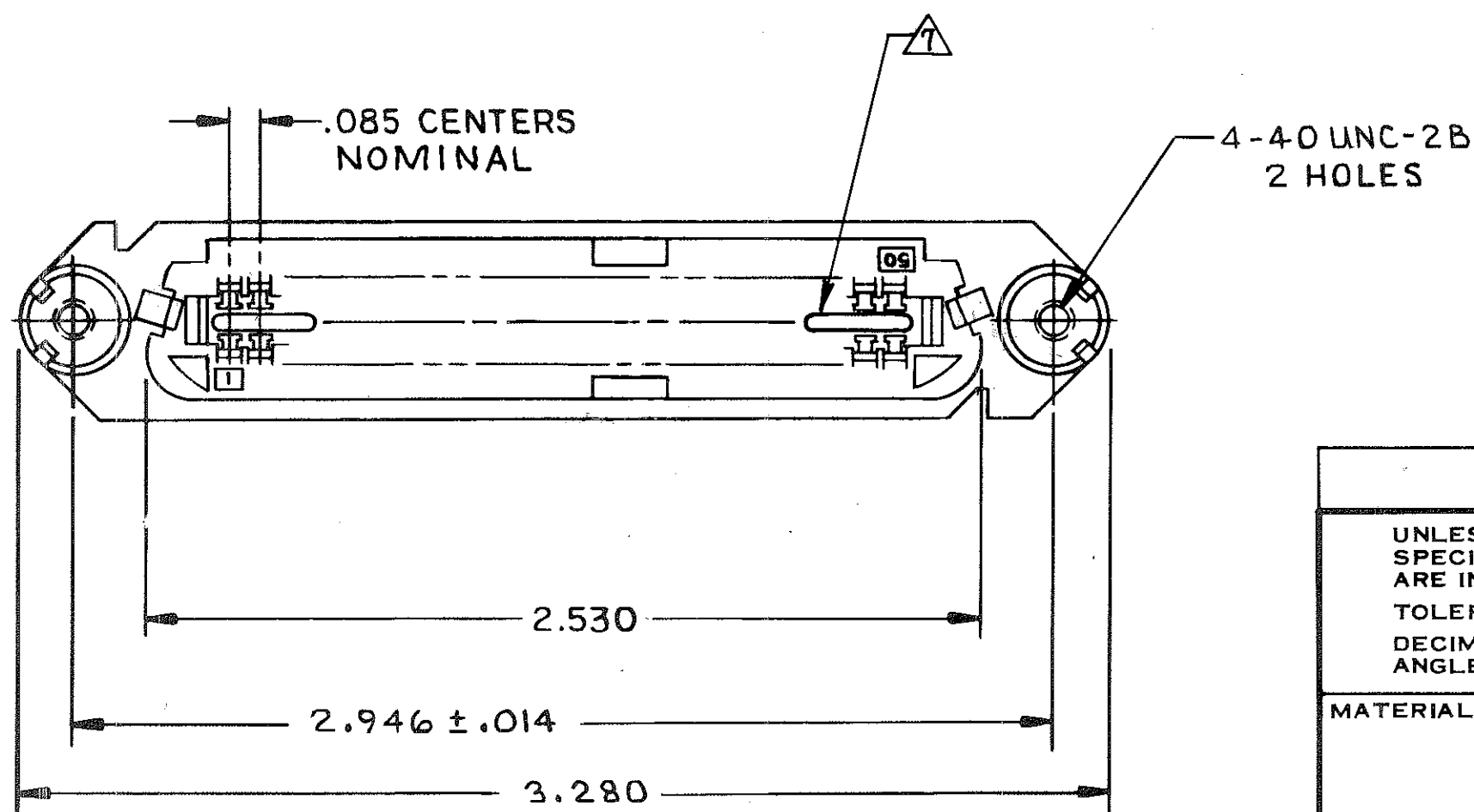


© COPYRIGHT 1974 BY AMP INCORPORATED, HARRISBURG, PA.  
 ALL INTERNATIONAL RIGHTS RESERVED. AMP INCORPORATED PRODUCTS  
 COVERED BY U. S. AND FOREIGN PATENTS AND/OR PATENTS PENDING.


REVISIONS						
P	F	ZONE	LTR	DESCRIPTION	DATE	APPROVED
J			J	OBS - 4; ECN AA-5371	1/4/89	TE
			K	REV; EC 0UIC-0040-01	3-19-01	DD EB



1. THE CONTACT SURFACES OF THE TERMINALS ARE COATED WITH LUBRICANT.
  2. ALL DIMENSIONS SHOWN ARE MAXIMUM UNLESS OTHERWISE SPECIFIED.
  3. MATERIAL: HOUSING & COVERS - POLYPHENYLENE OXIDE.  
 TERMINALS - GOLD OVER NICKEL PLATED HIGH STRENGTH COPPER ALLOY.  
 HARDWARE - ZINC PLATED STEEL.
  4. COVERS AND HARDWARE SHIPPED UNASSEMBLED.
  5. WIRE SIZE: 24 & 26 AWG SOLID & 24/7 STRAND COPPER CONDUCTORS.  
 MAX. INSULATION DIAMETER OF .045 IS ACCEPTABLE FOR MOST APPLICATIONS.
  6. CABLE RANGE: .415 - .465 DIA.
- △ CORING MAY OR MAY NOT APPEAR AND IS AT THE DISCRETION OF AMP INCORPORATED.



POLY BAGGED	BLACK	552260-1
PACKAGING	COLOR	PART NO

UNLESS OTHERWISE SPECIFIED DIMENSIONS ARE IN INCHES. TOLERANCES ON: DECIMALS ± — ANGLES ± —	CONTRACT NO	 AMP INCORPORATED Harrisburg, Pa.
	DR <i>J.ritchard</i> 11-23-81	
MATERIAL	CHK <i>MDJriel</i> 11-9-82	NAME
	APPD <i>Shy</i> 11/10/82	RECEPTACLE KIT, 50 POSITION, B SLOT SCREW LOCK W/ 90° COVER, CHAMP-LOK®
FINISH	APPB <i>Shy</i> 11/10/82	SIZE
	DSGN APPD	CODE IDENT NO
	OTHER APPD	DRAWING NO
		<b>C 00779</b>
		<b>552260</b>
		SCALE 2/1
		SHEET 1 OF 1

552260