

| PART NO.   | ENGINEERING NO. | FINISHED LENGTH     |
|------------|-----------------|---------------------|
| 1300060888 | 104000K03M010   | 1M (3 FT 3.4 IN)    |
| 1300060891 | 104000K03M100   | 10M (32 FT 9.70 IN) |
| 1300062561 | 104000K03M200   | 20M (65 FT 7.40 IN) |

**(B) CABLE LENGTH TOLERANCES**

<.3M [1FT]: +19mm-0 [ +.75in-0]

.3 - .9M [1 - 3FT]: +44.5mm-0 [+1.75in-0]

.9 - 1.8M [3 - 6FT]: +55.6mm-0 [+2.19in-0]

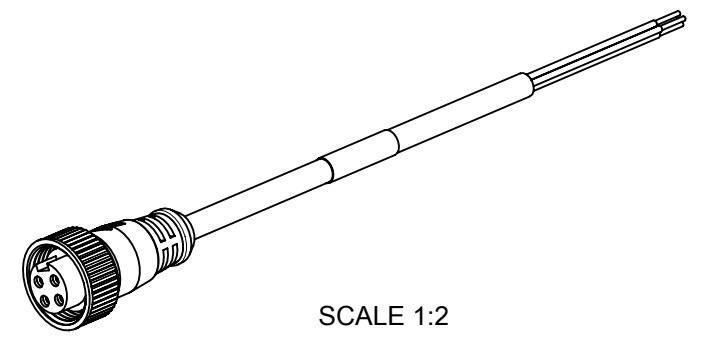
1.8 - 3.7M [6 - 12FT]: +88.9mm-0 [+3.50in-0]

3.7 - 7.3M [12 - 24FT]: +165.1mm-0 [+6.50in-0]

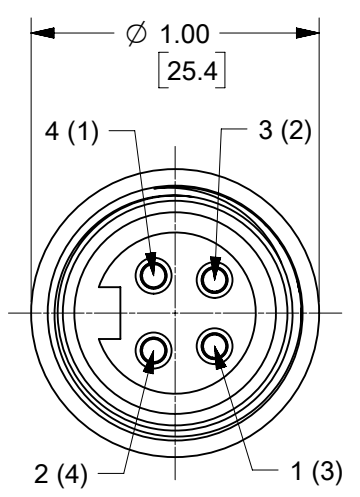
7.3-14.6M [24 - 48FT]: +317.5mm-0 [+12.50in-0]

14.6 - 30.5M [48-100FT]: +622.3mm-0 [+24.50in-0]

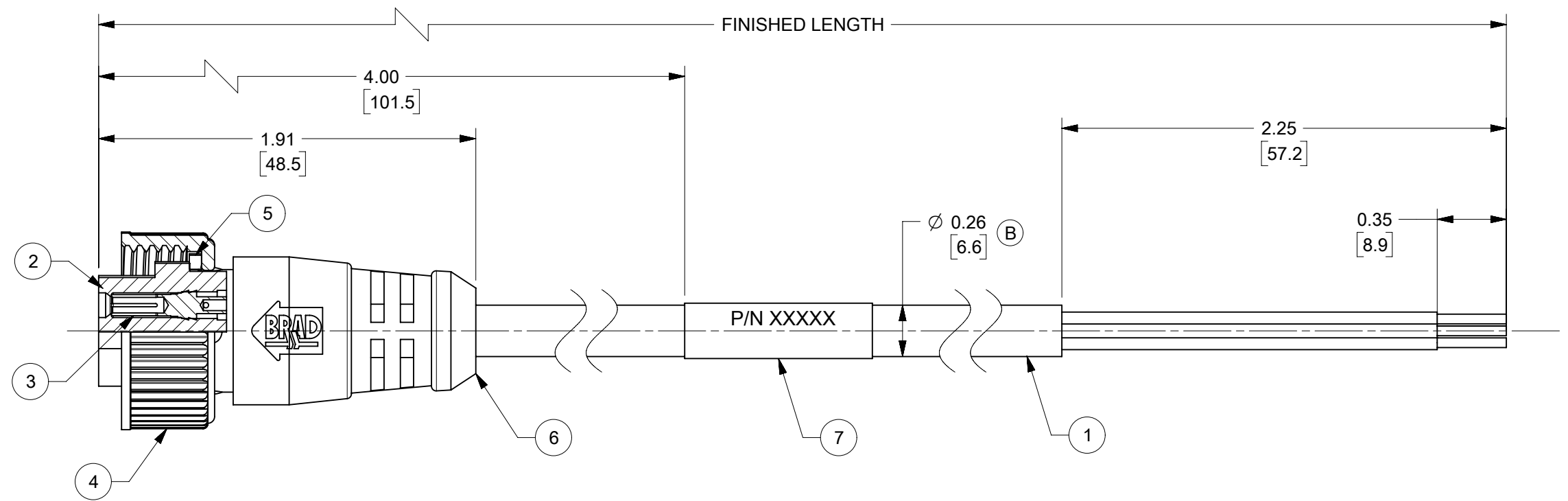
OVER 30M [100FT] +2% OF FINISHED LENGTH



**FEMALE FACE VIEW**



CENELEC EN 50 044 PINOUT SHOWN  
(SAE-J-1738A SHOWN IN PARENTHESIS)



**PART NUMBER LEGEND**

**104000K03M030**

FINISHED LENGTH:  
M003 = .3 METER  
M030 = 3 METER  
M300 = 30 METER

**MECHANICAL CHARACTERISTICS: (B)**

|                      |                                    |
|----------------------|------------------------------------|
| TORSIONAL FLEX TEST  | 10 MILLION CYCLES PER MIL-C-13777G |
| BEND FLEX TEST       | 10 MILLION CYCLES PER MIL-C-13777G |
| WELD SLAG RESISTANCE | WOODHEAD STANDARD S-300            |

- NOTES:**
- MATERIAL: AS NOTED
  - FINISHES: AS NOTED
  - ELECTRICAL:  
VOLTAGE: 300V  
CURRENT: 5.6A
  - ENVIRONMENTAL  
PROTECTION: IP67 (WHEN FULLY MATED)  
TEMPERATURE RATING: -20°C TO +105°C (B)
  - COUPLING THREAD: 7/8-16 UN
  - CSA CERTIFIED FILE: LR6837 (B)
  - ALL DIMS ARE FOR REFERENCE UNLESS TOLERANCED OR NOTED OTHERWISE

**WIRING DIAGRAM**

|       |       |
|-------|-------|
| 4 (1) | BLACK |
| 3 (2) | BLUE  |
| 1 (3) | BROWN |
| 2 (4) | WHITE |

| ITEM | DESCRIPTION                | MATERIAL      | FINISH           |
|------|----------------------------|---------------|------------------|
| 7    | WRAP LABEL                 | VINYL         | YELLOW/BLACK     |
| 6    | OVER MOLD                  | TPE           | YELLOW           |
| 5    | FRICTION RING              | NYLON         | WHITE            |
| 4    | COUPLING NUT               | ZINC DIE CAST | BLACK E-COAT     |
| 3    | SOCKET CONTACT             | Cu ALLOY      | GOLD OVER NICKEL |
| 2    | FEMALE INSERT              | TPE           | YELLOW           |
| 1    | CABLE, #18-4 AWG, ITC/PLTC | TPE JACKET    | YELLOW           |

|  |                                       |   |   |
|--|---------------------------------------|---|---|
| FUNCTIONAL SYMBOLS                                   |                                       | THIS DRAWING CONTAINS INFORMATION THAT IS PROPRIETARY TO MOLEX ELECTRONIC TECHNOLOGIES, LLC AND SHOULD NOT BE USED WITHOUT WRITTEN PERMISSION |   |
| $\nabla = 0$   | DIMENSION UNITS                       | SCALE   | CURRENT REV DESC: UPDATED TEMP RATING, TOL. TABLE & MATERIAL TABLE. ADDED CSA, ITEM 5 MECH.CHARACTERISTICS & CABLE DIA. |
| $\nabla = 0$   | INCH/MM                               | 1.5:1   | EC NO: 701162   |
| $\nabla = 0$   | GENERAL TOLERANCES (UNLESS SPECIFIED) |   | DRWN: AKABADI 2021/09/03  |
|  | ANGULAR TOL ± °                       |   | CHKD: RSTONE 2022/03/30   |
|  | 4 PLACES ±                            |   | APPR: BWOODMAN 2022/04/08   |
|  | 3 PLACES ±                            |   | INITIAL REVISION:   |
|  | 2 PLACES ±                            |   | DRWN: ALEON01 2019/08/01  |
|  | 1 PLACE ±                             |   | APPR: BWOODMAN 2019/08/14   |
|  | 0 PLACES ±                            |   |   |
| DIVISIONAL SYMBOLS                                   |                                       | THIRD ANGLE PROJECTION  | DRAWING   |
| DRAFT WHERE APPLICABLE MUST REMAIN WITHIN DIMENSIONS |                                       |   | B-SIZE  |
|  |                                       | SERIES  | 130006  |
|  |                                       | MATERIAL NUMBER   | SEE TABLE   |
|  |                                       | CUSTOMER  |   |
|  |                                       | SHEET NUMBER  | 1 OF 1  |

**molex**

MINI-CHANGE CORDSET, A SIZE  
4 POLE, FEMALE, STRAIGHT, SINGLE KEY, 18 AWG  
TPE HI-FLEX