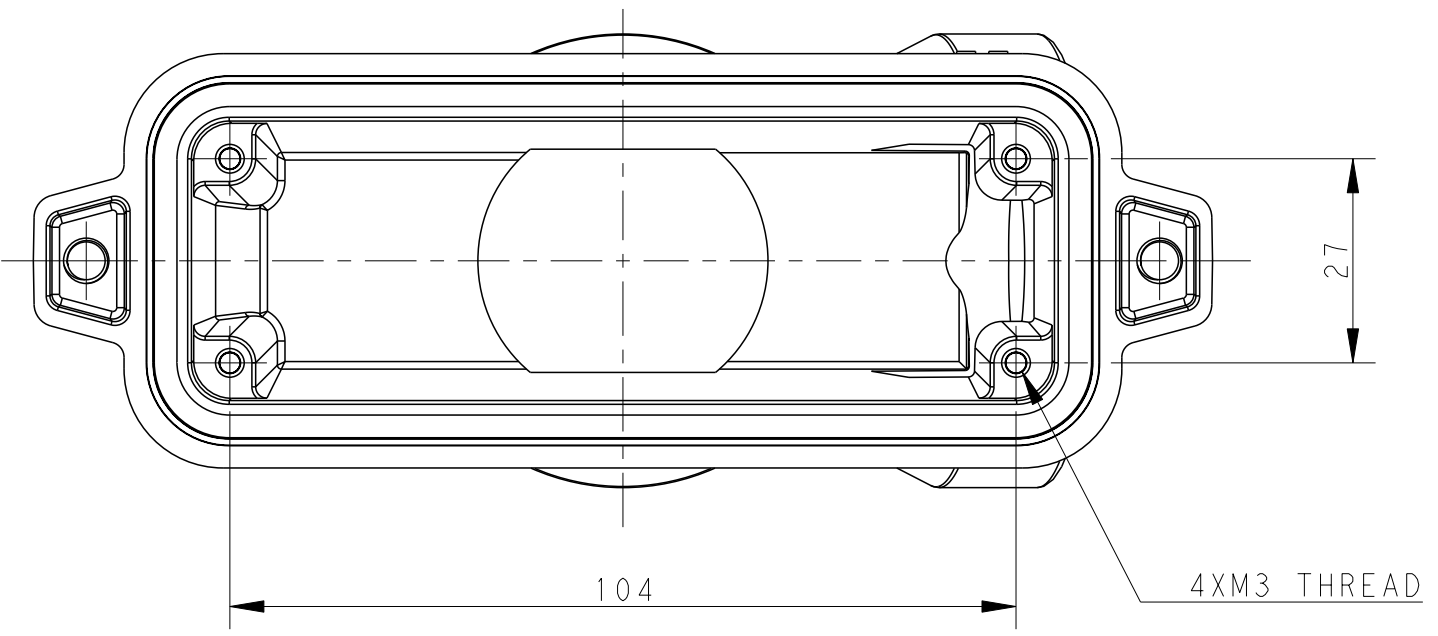
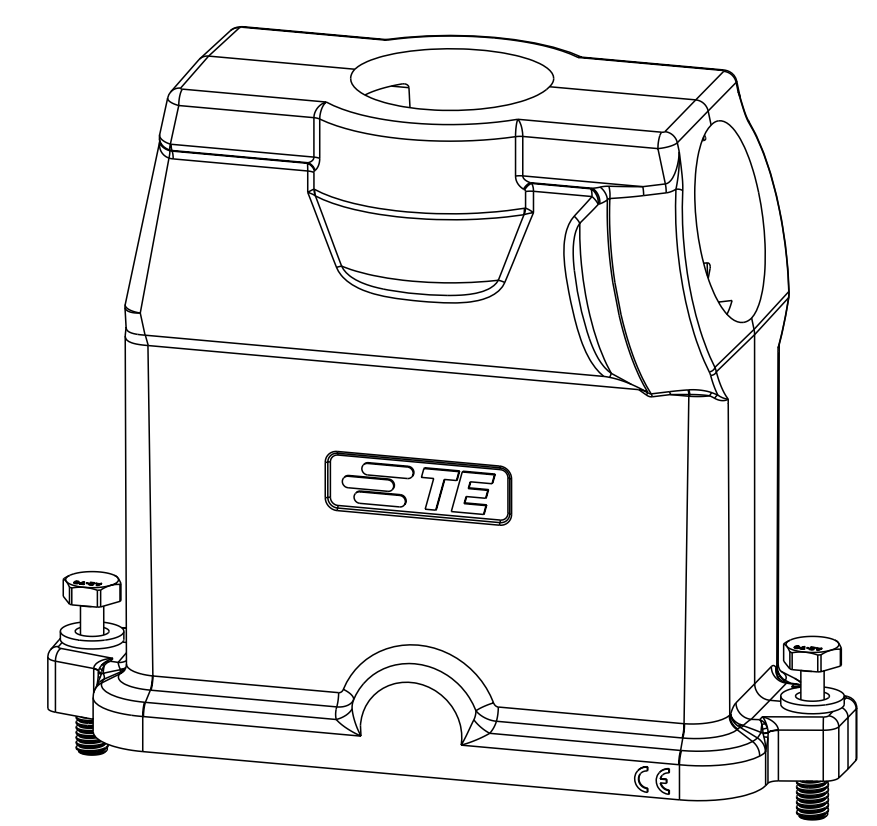
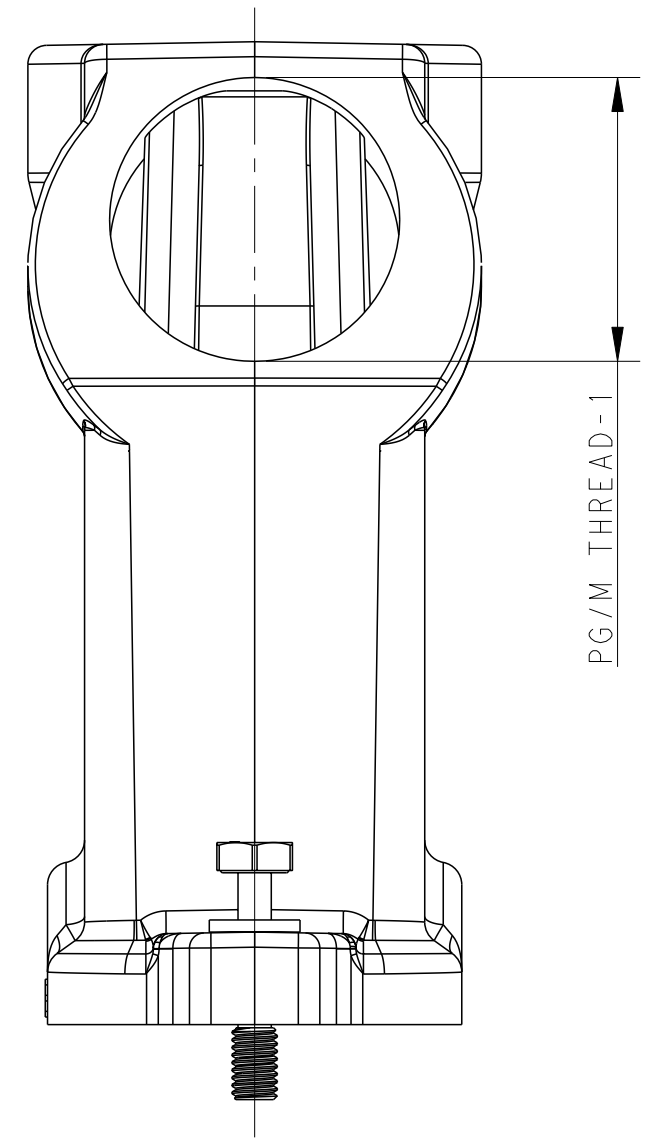
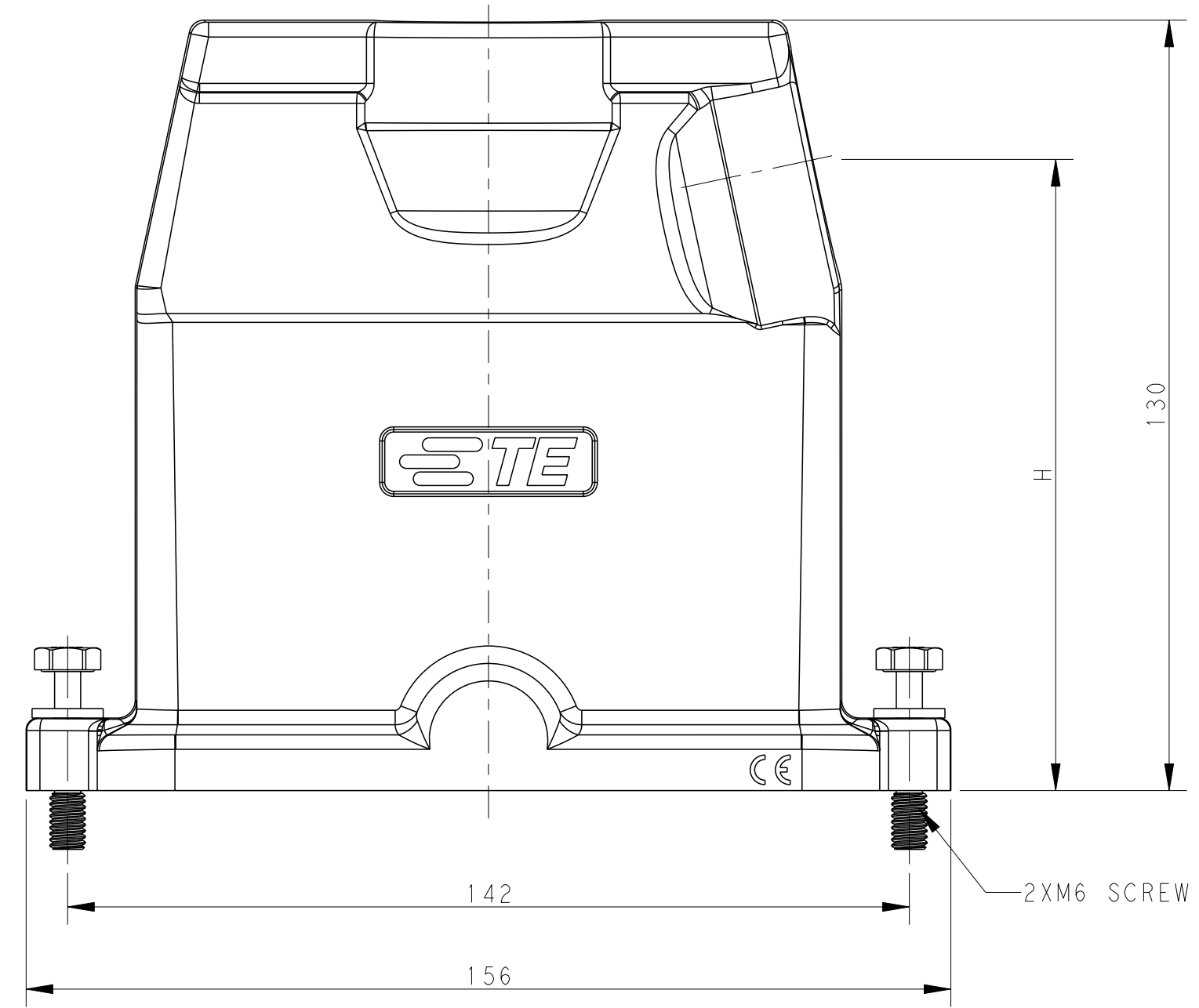
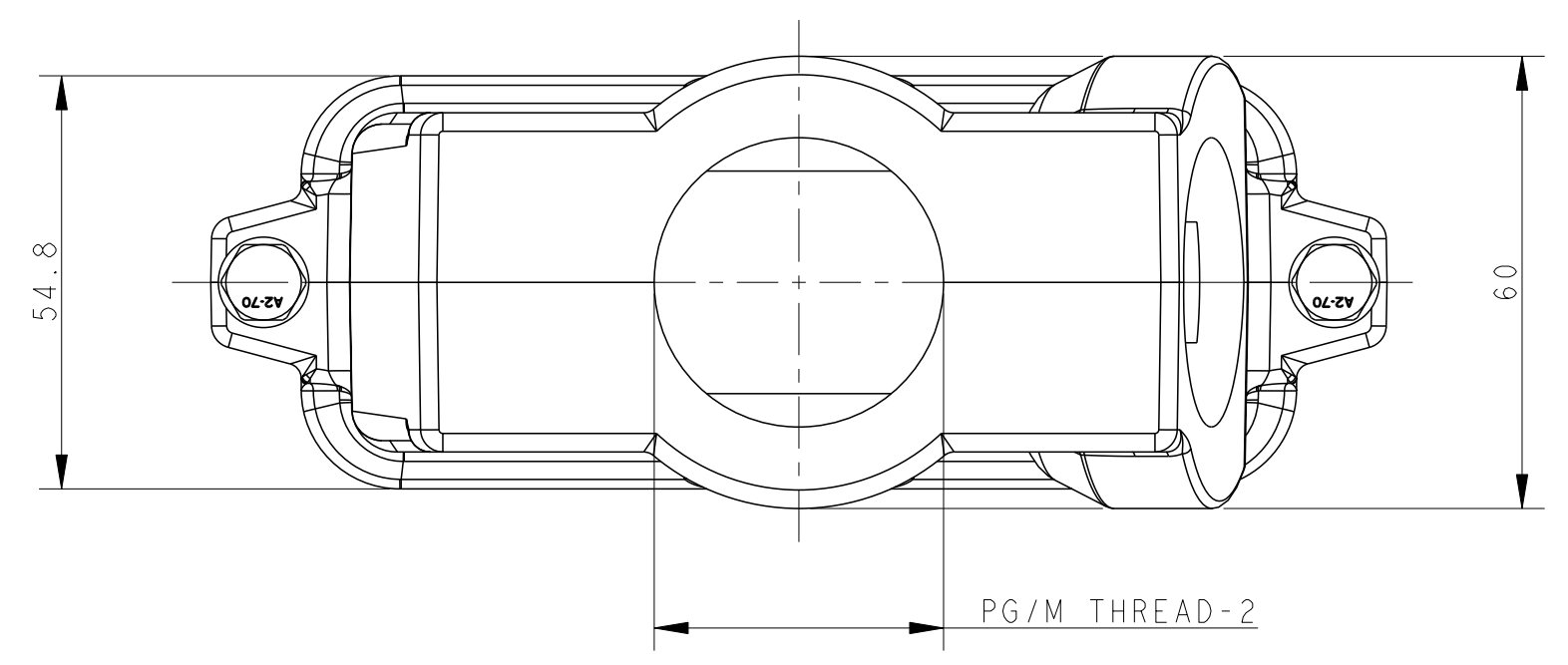


THIS DRAWING IS UNPUBLISHED. RELEASED FOR PUBLICATION 20
 © COPYRIGHT 20 BY - ALL RIGHTS RESERVED.

REVISIONS					
P	LTR	DESCRIPTION	DATE	DWN	APVD
A2		ECR-18-009890	30AUG2018	CD	CW
A3		ECR-18-017710	12NOV2018	CD	CW
A4		ECR-18-017123	10JAN2019	KW	CW
B		ECR-20-014403	20MAY2021	BS	CW

NOTES:
 1. TECHNICAL CHARACTERISTICS:
 HOOD MATERIAL: DIE CAST ALUMINIUM ALLOY
 SURFACE TREATMENT: SEE TABLE
 DEGREE OF PROTECTION: IP68 (MATED)

注释:
 1. 技术参数:
 壳体材料: 铝合金
 表面处理: 见表格
 防护等级: IP68 (配合)

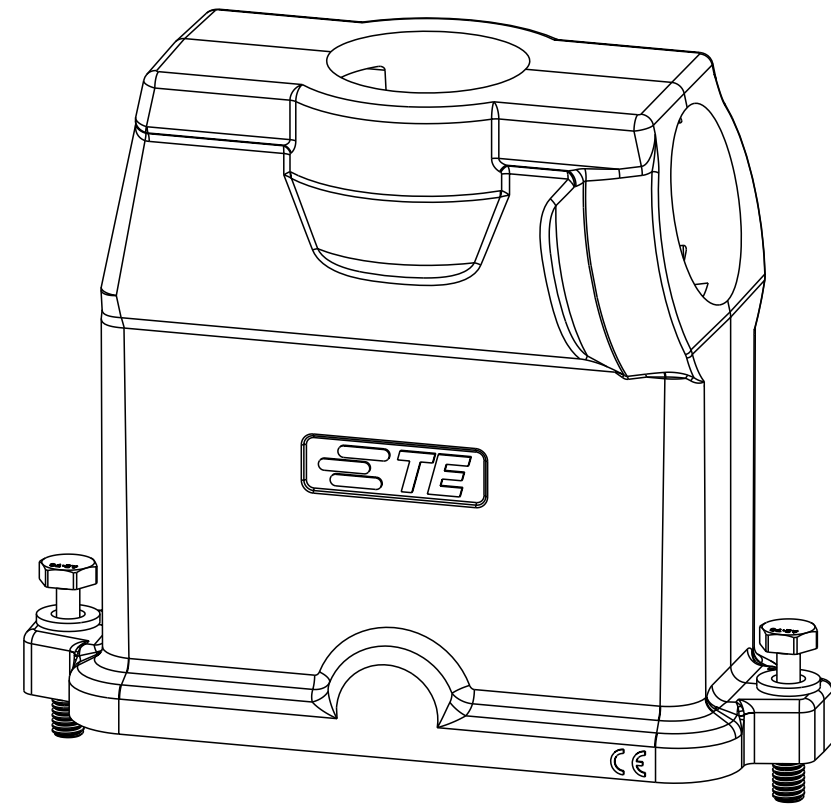


THIS DRAWING IS A CONTROLLED DOCUMENT.		DWN Gino Yao 16 JUN 2015	STE TE Connectivity		
DIMENSIONS: mm		CHK Chris Wang 16 JUN 2015			
TOLERANCES UNLESS OTHERWISE SPECIFIED:		APVD Xiang Xu 16 JUN 2015	NAME H24BPR H130 -TG/SHC-PG/M		
0 PLC ±		PRODUCT SPEC 108-137014	SIZE A2		
1 PLC ±		APPLICATION SPEC 114-137014	CAGE CODE -		
2 PLC ±		WEIGHT -	DRAWING NO G-T108224XXXXX00		
3 PLC ±		MATERIAL -	RESTRICTED TO -		
4 PLC ±			SCALE 1:1		
ANGLES ±		SHEET 1 OF 4			
FINISH -		REV B			
-		Customer Drawing			

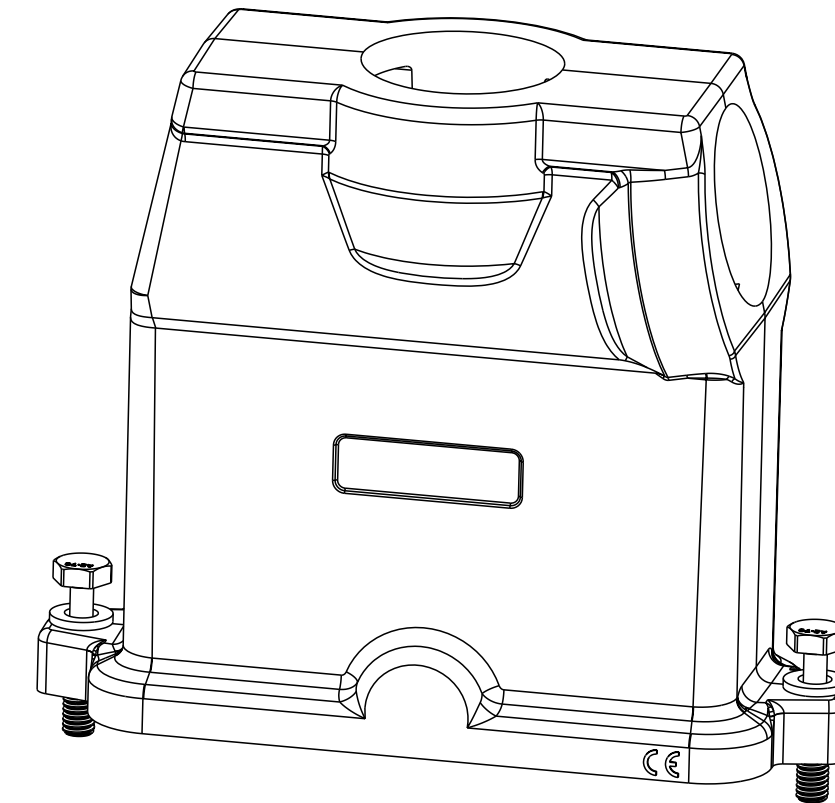
Printed on 24 May 2021 09:12 (China Standard Time) from IE236667

THIS DRAWING IS UNPUBLISHED. RELEASED FOR PUBLICATION 20
 © COPYRIGHT 20 BY - ALL RIGHTS RESERVED.

TYPE 1: TOP & SIDE ENTRY
 类型1: 顶侧出



TYPE 2: TOP & SIDE ENTRY, NO LOGO
 类型2: 顶侧出, 无LOGO

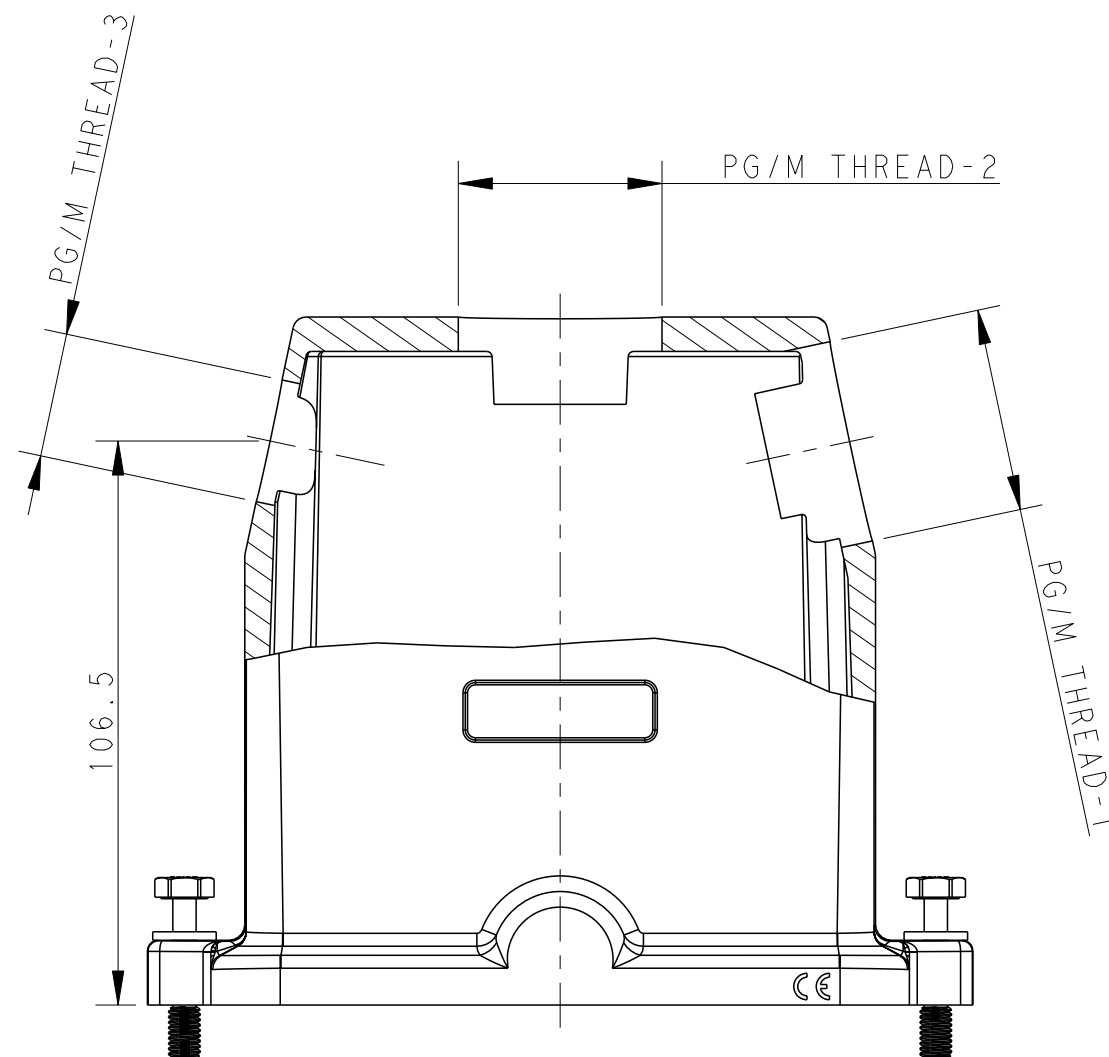


REVISIONS				
P	LTR	DESCRIPTION	DATE	APVD
-		SEE SHEET 1	-	-

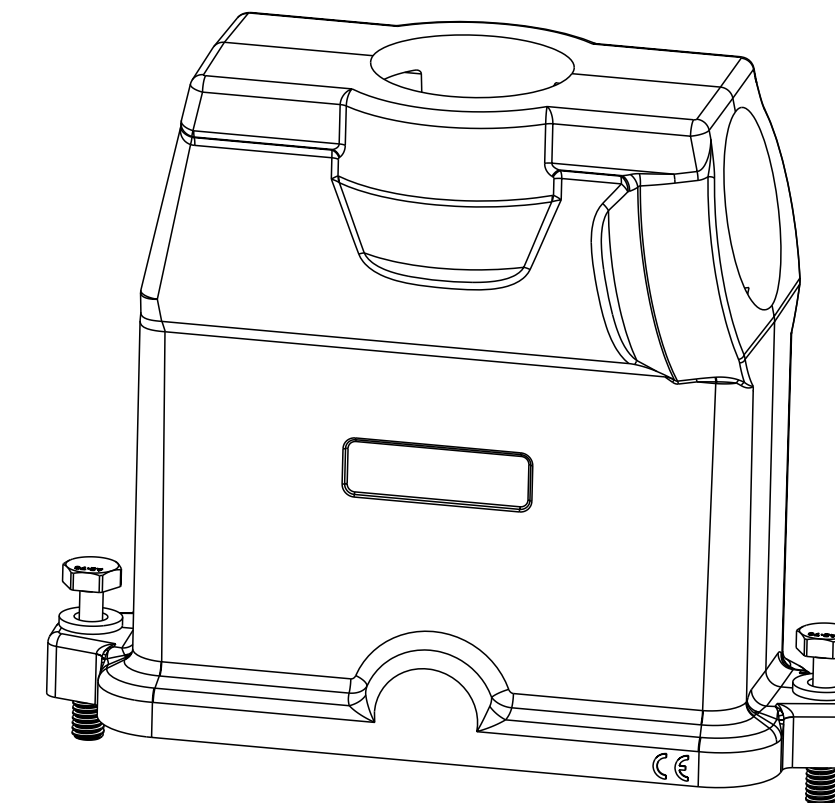
NOTES:
 SEE SHEET 1
 备注:
 见 SHEET 1

ALL DIMENSIONS ARE SAME AS TYPE 1, JUST NO LOGO
 尺寸同类型1, 仅无LOGO

TYPE 3: TOP & 2 SIDE ENTRY, NO LOGO
 类型3: 顶出+双侧出, 无LOGO



SECTION A-A
 SCALE 7:10



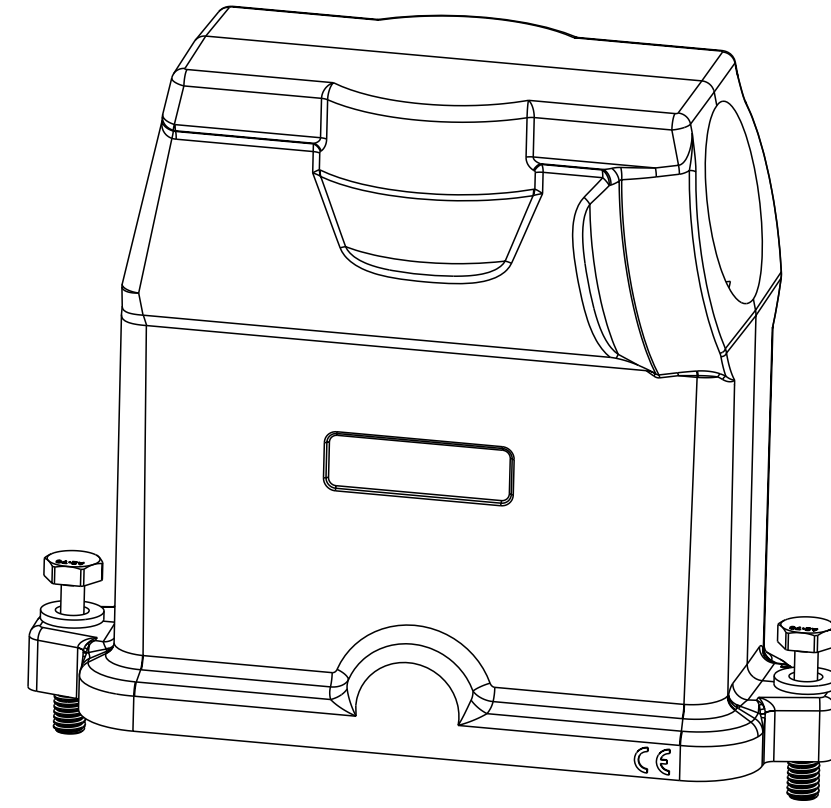
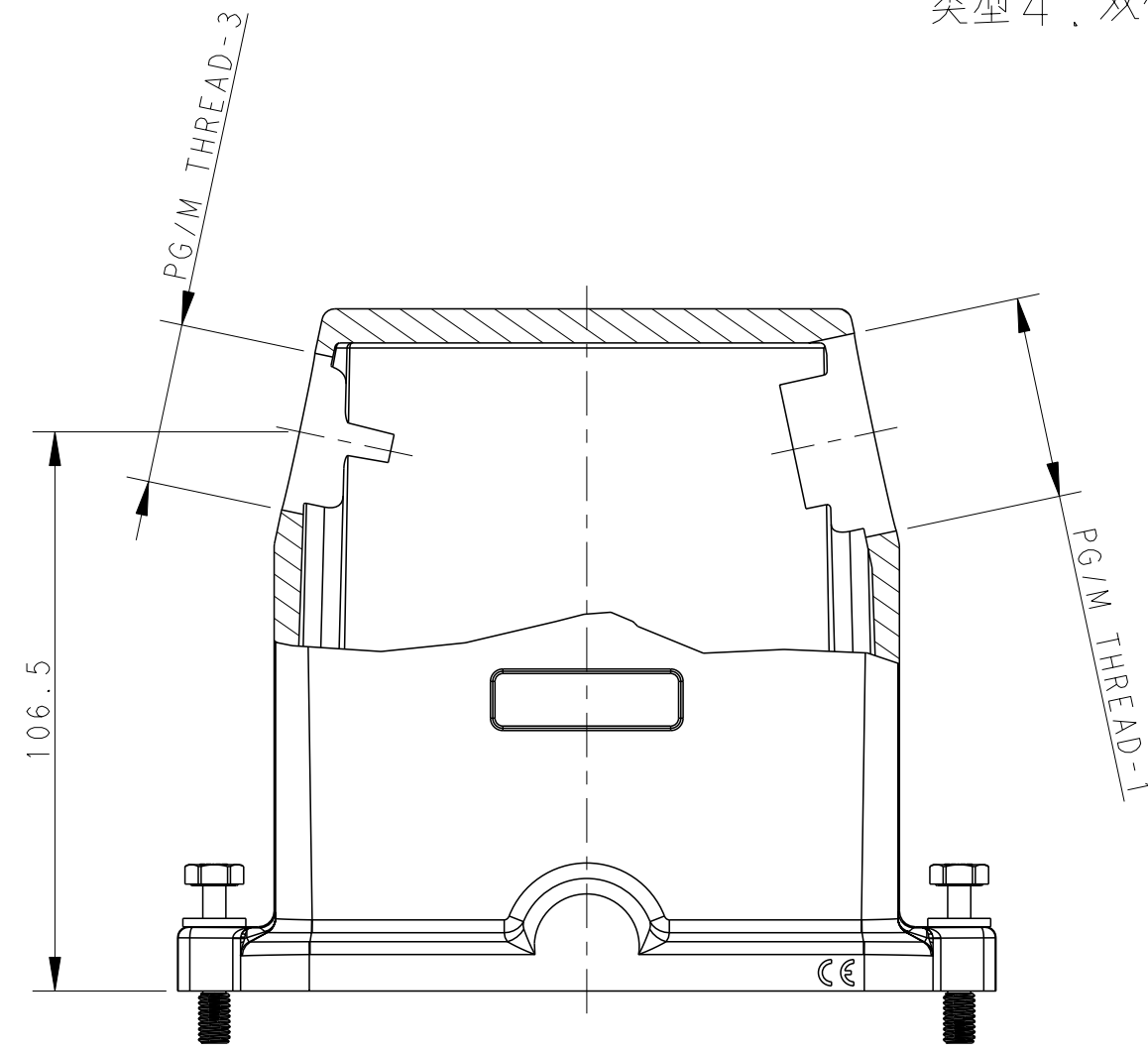
ALL DIMENSIONS ARE SAME AS TYPE 1, EXCEPT THOSE DEFINED IN THIS TYPE
 除了在本类型中定义的尺寸外, 其余尺寸同类型1

THIS DRAWING IS A CONTROLLED DOCUMENT.		DWN Gino Yao 16 JUN 2015	STC TE Connectivity	
DIMENSIONS: mm		CHK Chris Wang 16 JUN 2015		
TOLERANCES UNLESS OTHERWISE SPECIFIED:		APVD Xiang Xu 16 JUN 2015	NAME H24BPR H130 -TG/SHC-PG/M	
0 PLC ±-		PRODUCT SPEC 108-137014	SIZE A2	
1 PLC ±-		APPLICATION SPEC 114-137014	CAGE CODE -	DRAWING NO G-T108224XXXXX00
2 PLC ±-		WEIGHT -	RESTRICTED TO -	
3 PLC ±-		MATERIAL -	SCALE 1:1	SHEET 2 OF 4
4 PLC ±-		Customer Drawing	REV B	
ANGLES ±-				
FINISH -				

THIS DRAWING IS UNPUBLISHED. RELEASED FOR PUBLICATION 20
 © COPYRIGHT 20 BY - ALL RIGHTS RESERVED.

REVISIONS				
P	LTR	DESCRIPTION	DATE	APVD
-		SEE SHEET 1	-	-

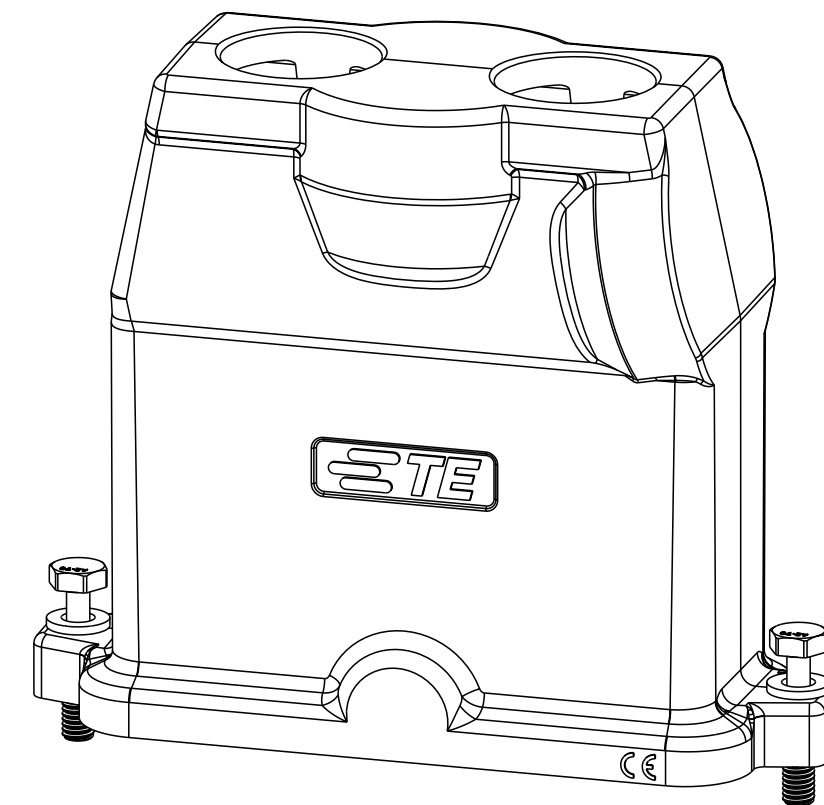
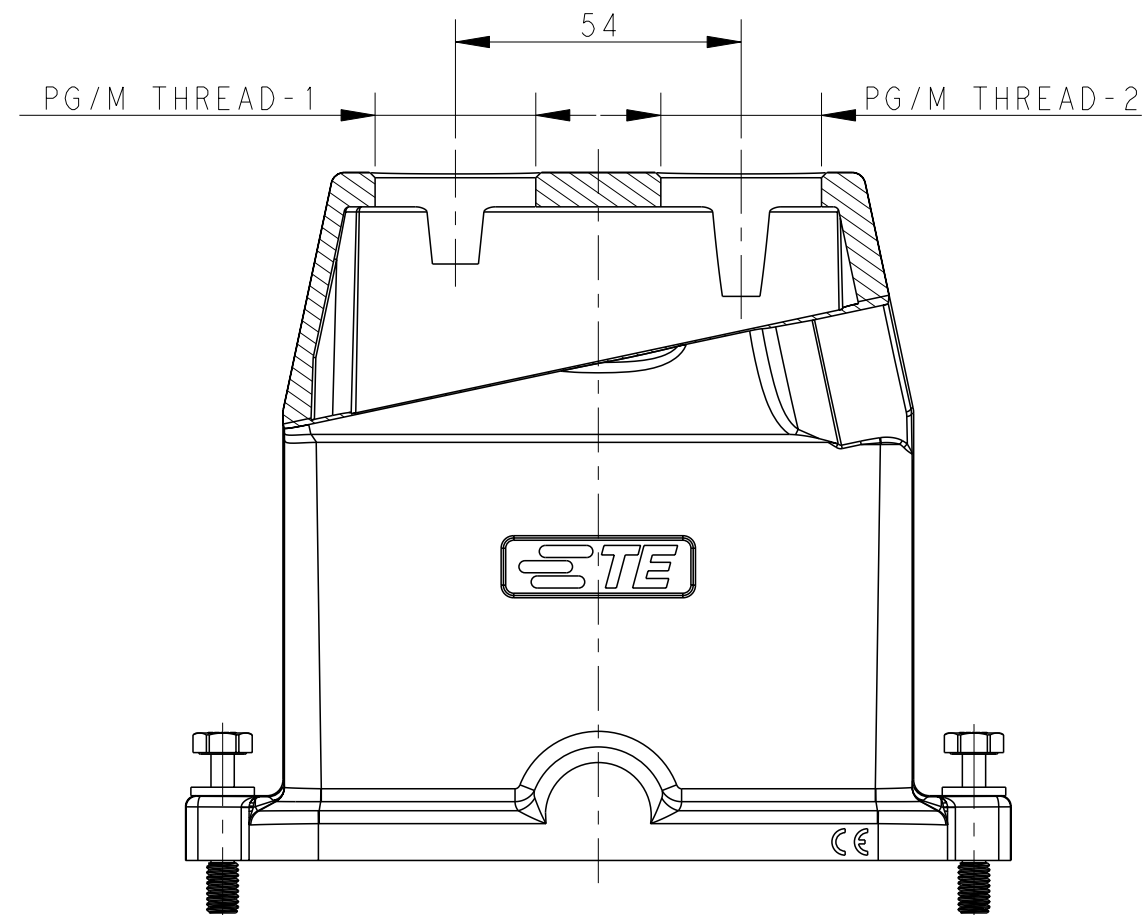
TYPE 4: 2 SIDE ENTRY, NO LOGO
 类型4: 双侧出, 无LOGO



NOTES:
 SEE SHEET 1
 备注:
 见 SHEET 1

ALL DIMENSIONS ARE SAME AS TYPE 1, EXCEPT THOSE DEFINED IN THIS TYPE
 除了在本类型中定义的尺寸外, 其余尺寸同类型 |
 SECTION A-A
 SCALE 7:10

TYPE 5: 2 TOP ENTRY, WITH LOGO
 类型4: 双顶出, 带LOGO



SCALE 7:10

ALL DIMENSIONS ARE SAME AS TYPE 1, EXCEPT THOSE DEFINED IN THIS TYPE
 除了在本类型中定义的尺寸外, 其余尺寸同类型 |

THIS DRAWING IS A CONTROLLED DOCUMENT.		DWN Gino Yao 16 JUN 2015	STE TE Connectivity	
DIMENSIONS: mm		CHK Chris Wang 16 JUN 2015		
TOLERANCES UNLESS OTHERWISE SPECIFIED:		APVD Xiang Xu 16 JUN 2015	NAME H24BPR H130 -TG/SHC-PG/M	
0 PLC ±-	1 PLC ±-	PRODUCT SPEC 108-137014	SIZE A2	
2 PLC ±-	3 PLC ±-	APPLICATION SPEC 114-137014	CAGE CODE -	DRAWING NO. C-T108224XXXXX00
4 PLC ±-	ANGLES ±-	WEIGHT -	RESTRICTED TO -	
FINISH -		Customer Drawing	SCALE 1:1	SHEET 3 OF 4 REV B

Printed on 24 May 2021 09:12 (China Standard Time) from IE236667

THIS DRAWING IS UNPUBLISHED. RELEASED FOR PUBLICATION 20
 © COPYRIGHT 20 BY - ALL RIGHTS RESERVED.

REVISIONS				
P	LTR	DESCRIPTION	DATE	APVD
-		SEE SHEET 1	-	-

NOTES:
 SEE SHEET 1
 备注:
 见 SHEET 1

PART NUMBER 成品料号	ASSEMBLY PART DESCRIPTION 成品描述	PG/M THREAD-3 PG/M 螺纹-3	PG/M THREAD-2 PG/M 螺纹-2	PG/M THREAD-1 PG/M 螺纹-1	DIM. (H) 尺寸(H)	TYPE 类型
T1082241232-000	H24BPR(H130)-TGHC-2M32 H24BPR HOOD,CENTER LOCKING,HIGH CONSTRUCTION,2 TOP ENTRY 2M32,HI30,POWDER COATED,SILVER WHITE H24BPR上壳,中部锁定,高结构,双顶出2M32,HI30,银白色粉末喷涂	-	M32	M32	-	TYPE5 类型5
T1082244032-100	H24BPR H130-TGHC-M40/M32 H24BPR HOOD,CENTER LOCKING,HIGH CONSTRUCTION,2 TOP ENTRY M40/M32,HI30,POWDER COATED,SILVER WHITE H24BPR上壳,中部锁定,高结构,双顶出M40/M32,HI30,银白色粉末喷涂	-	M40	M32	-	
T1062244032-001	H24BPR H130 -TSHC-M40/M32 H24BPR HOOD,CENTER LOCKING,HIGH CONSTRUCTION, TWO SIDE ENTRY M40-M32,HI30,POWDER COATED,DEEP GREY,NO LOGO H24BPR上壳,中部锁定,高结构,双顶出M40-M32,HI30,深灰色粉末喷涂,无LOGO	M32	-	M40	106.5	TYPE4 类型4
T1082244040-251	H24BPR H130 -TG/SHC-M40/M40-M25 H24BPR HOOD,CENTER LOCKING,HIGH CONSTRUCTION,TOP ENTRY M40, TWO SIDE ENTRY M40-M25,HI30,POWDER COATED,DEEP GREY,NO LOGO H24BPR上壳,中部锁定,高结构,顶出M40,双顶出M40-M25,HI30,深灰色粉末喷涂,无LOGO	M25	M40	M40	106.5	TYPE3 类型3
T1082242240-001	H24BPR H130-TG/SHC-M40/M40 H24BPR HOOD,CENTER LOCKING,HIGH CONSTRUCTION,TOP ENTRY -SIDE ENTRY M40,HI30,POWDER COATED,DEEP GREY,NO LOGO H24BPR上壳,中部锁定,高结构,顶/侧出M40,HI30,深灰色粉末喷涂,无LOGO	-	M40	M40	106.5	TYPE2 类型2
T1082244032-000	H24BPR H130-TG/SHC-M40/M32 H24BPR HOOD,CENTER LOCKING,HIGH CONSTRUCTION, TOP ENTRY M40SIDE ENTRY M32,HI30,POWDER COATED,GREY H24BPR上壳,中部锁定,高结构,顶出M40侧出M32,HI30,灰色粉末喷涂	-	M40	M32	100.5	TYPE1 类型1
T1082243240-000	H24BPR H130-TG/SHC-M32/M40 H24BPR HOOD,CENTER LOCKING,HIGH CONSTRUCTION, TOP ENTRY M32SIDE ENTRY M40,HI30,POWDER COATED,GREY H24BPR上壳,中部锁定,高结构,顶出M32侧出M40,HI30,灰色粉末喷涂	-	M32	M40	106.5	
T1082242240-000	H24BPR H130-TG/SHC-2M40 24BPR HOOD,CENTER LOCKING,HIGH CONSTRUCTION, TOP ENTRY -SIDE ENTRY M40,HI30,POWDER COATED,GREY H24BPR上壳,中部锁定,高结构,顶/侧出M40,HI30,灰色粉末喷涂	-	M40	M40	106.5	
T1082242232-000	H24BPR H130-TG/SHC-2M32 H24BPR HOOD,CENTER LOCKING,HIGH CONSTRUCTION, TOP ENTRY -SIDE ENTRY M32,HI30,POWDER COATED,GREY H24BPR上壳,中部锁定,高结构,顶/侧出M32,HI30,灰色粉末喷涂	-	M32	M32	100.5	
T1082241240-000	H24BPR H130-TG/SHC-2M40 H24BPR HOOD,CENTER LOCKING,HIGH CONSTRUCTION,TOP ENTRY -SIDE ENTRY M40,HI30,POWDER COATED,SILVER WHITE H24BPR上壳,中部锁定,高结构,顶/侧出M40,HI30,银白色粉末喷涂,半成品	-	M40	M40	106.5	

THIS DRAWING IS A CONTROLLED DOCUMENT.

DWN	Gino Yao	16 JUN 2015
CHK	Chris Wang	16 JUN 2015
APVD	Xiang Xu	16 JUN 2015

PRODUCT SPEC: 108-137014
 APPLICATION SPEC: 114-137014

NAME: H24BPR H130 -TG/SHC-PG/M

SIZE: A2 CAGE CODE: - DRAWING NO: T108224XXXXX00 RESTRICTED TO: -

Customer Drawing SCALE: 1:1 SHEET: 4 OF 4 REV: B

Printed on 24 May 2021 09:12 (China Standard Time) from IE236667