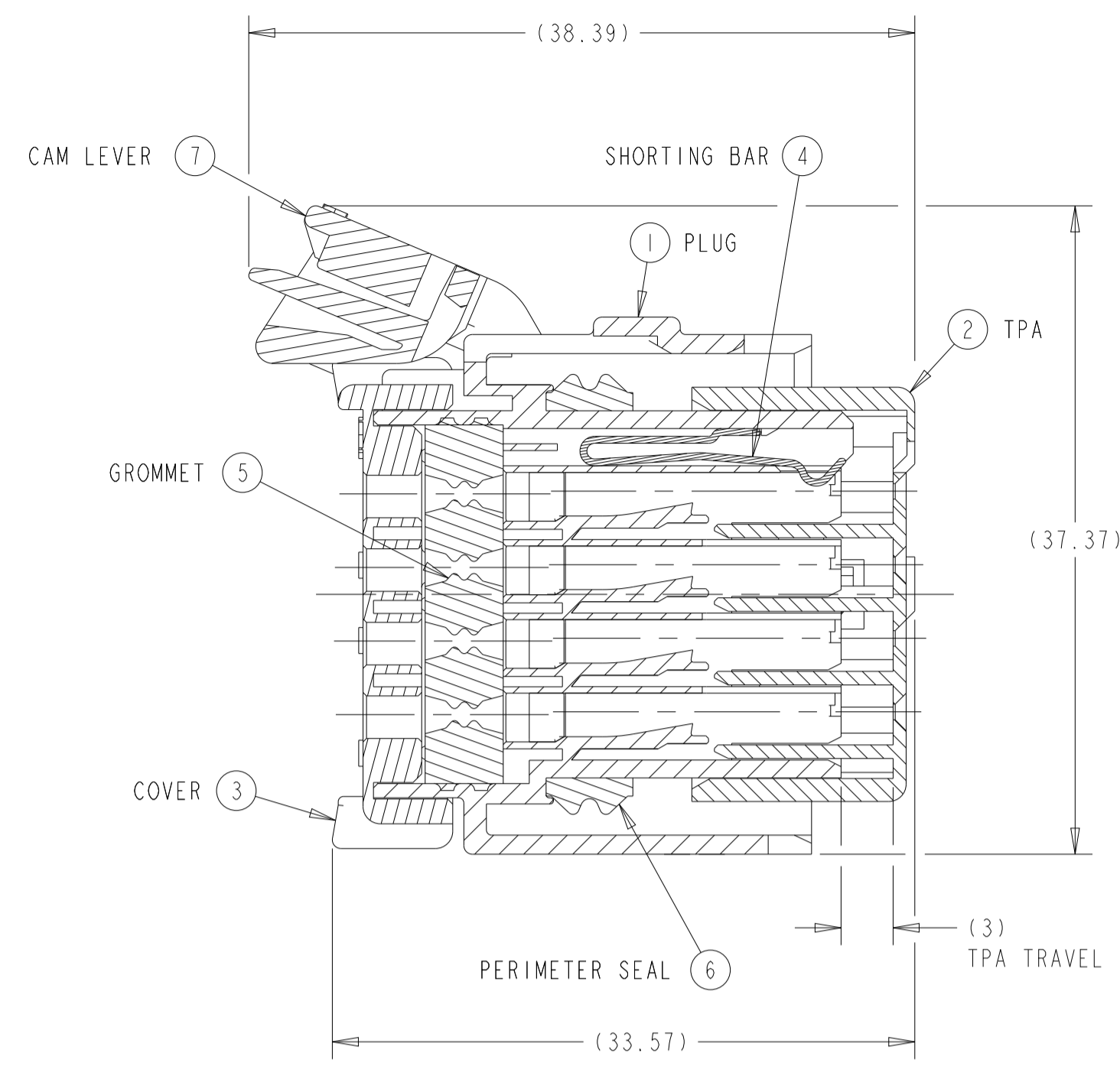
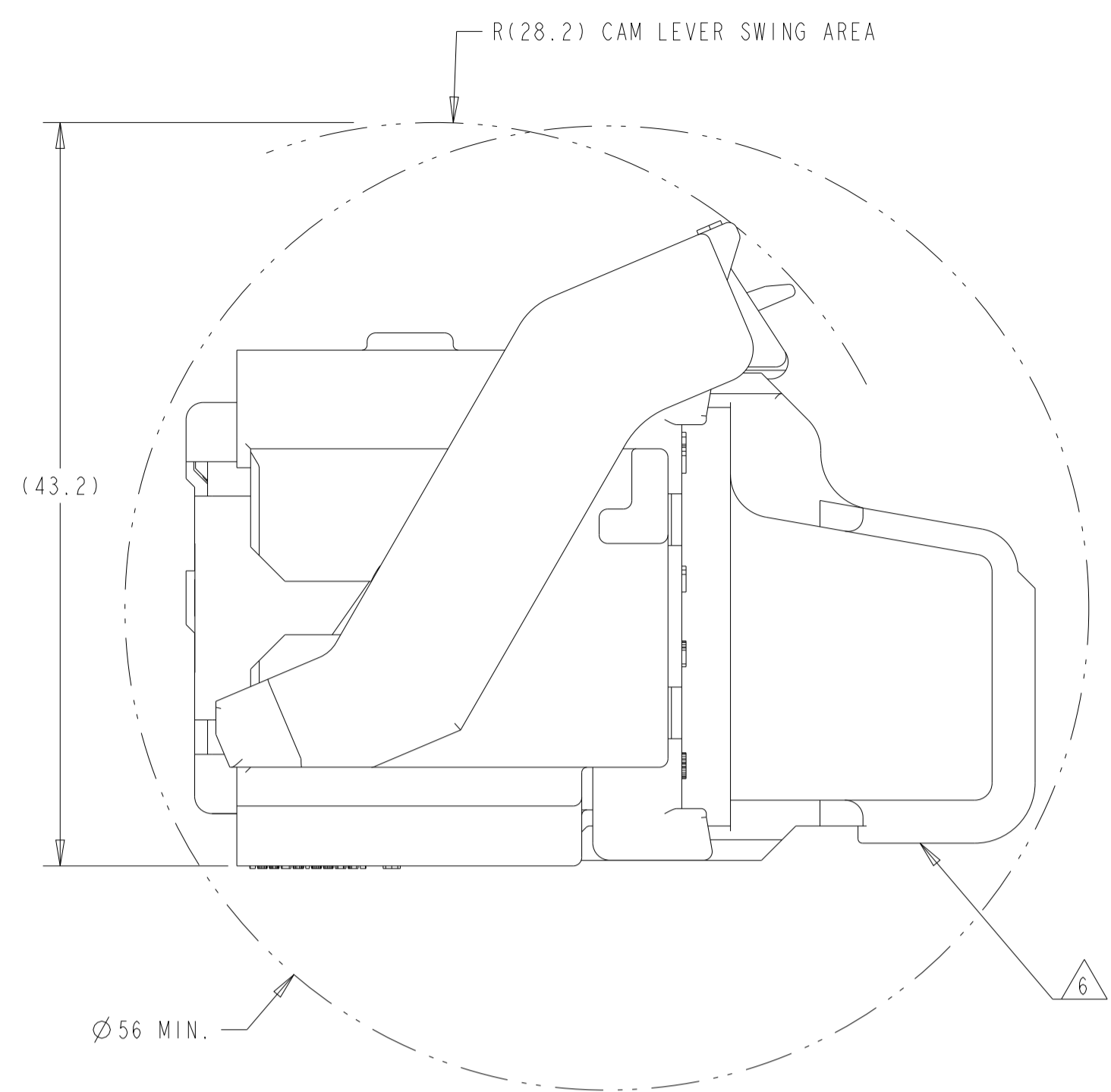
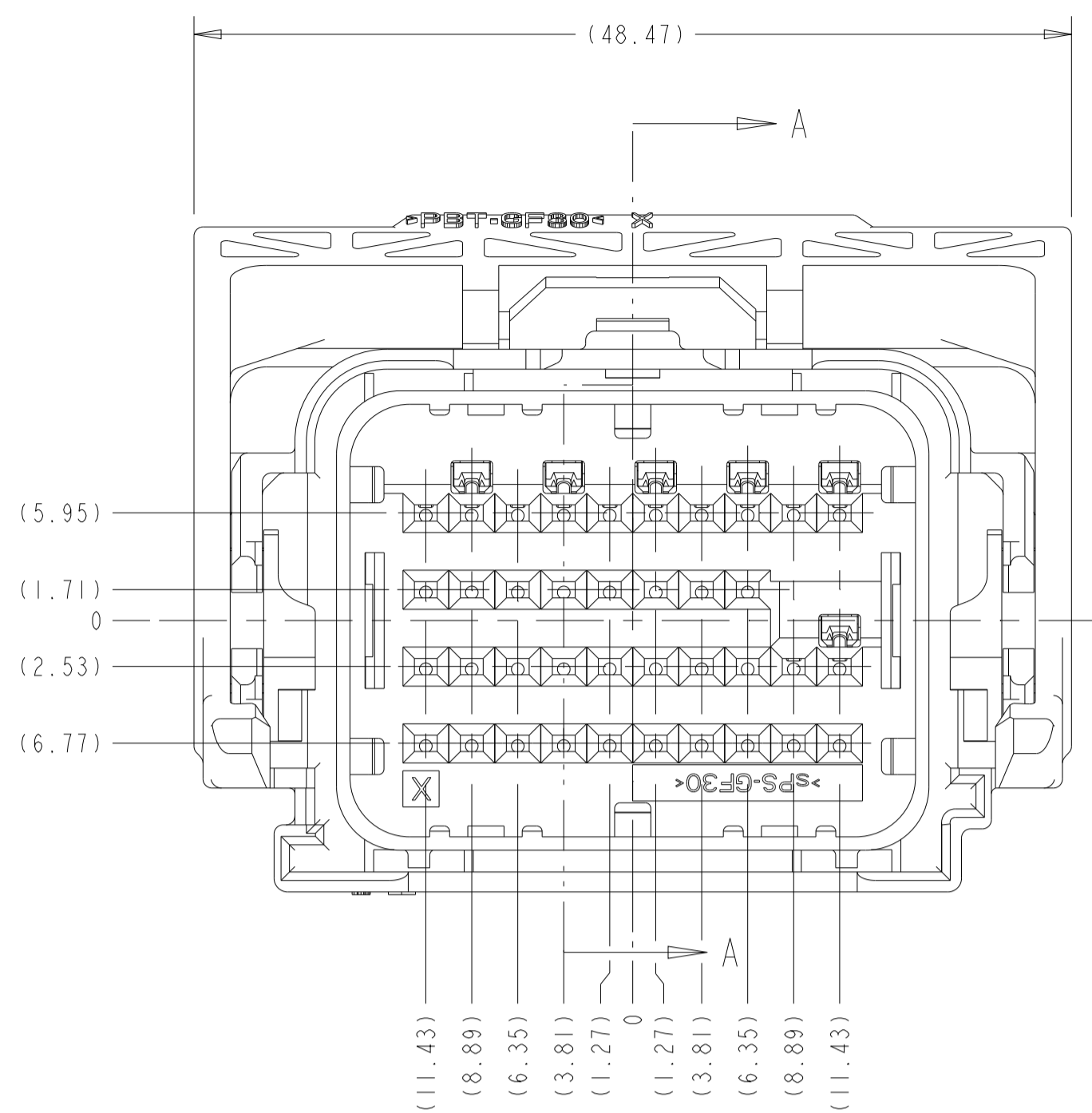


REVISIONS					
P	LTN	DESCRIPTION	DATE	DWN	APVD
BT		REV PER ECO 08-017679	21JUL2008	RGV	WTW
BT1		REVISED PER ECO-20-012739	05OCT2020	AP	DR
BT2		REVISED PER ECN-22-154515	23JUN2022	AP	MT
BT3		REV PER ECN-22-168671	18AUG2022	SMR	WW

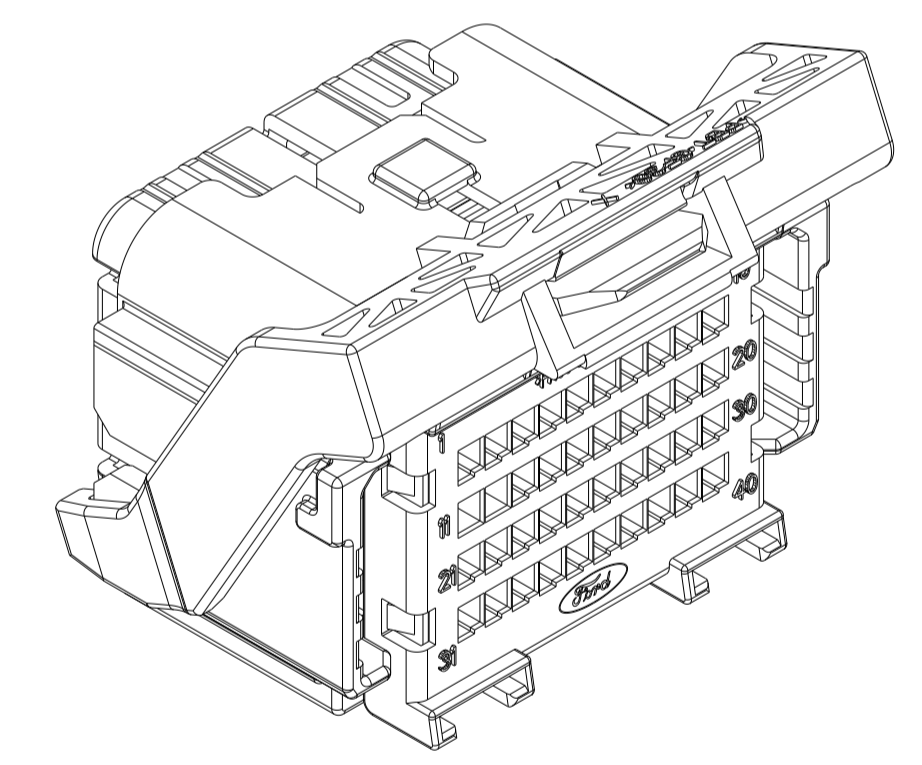
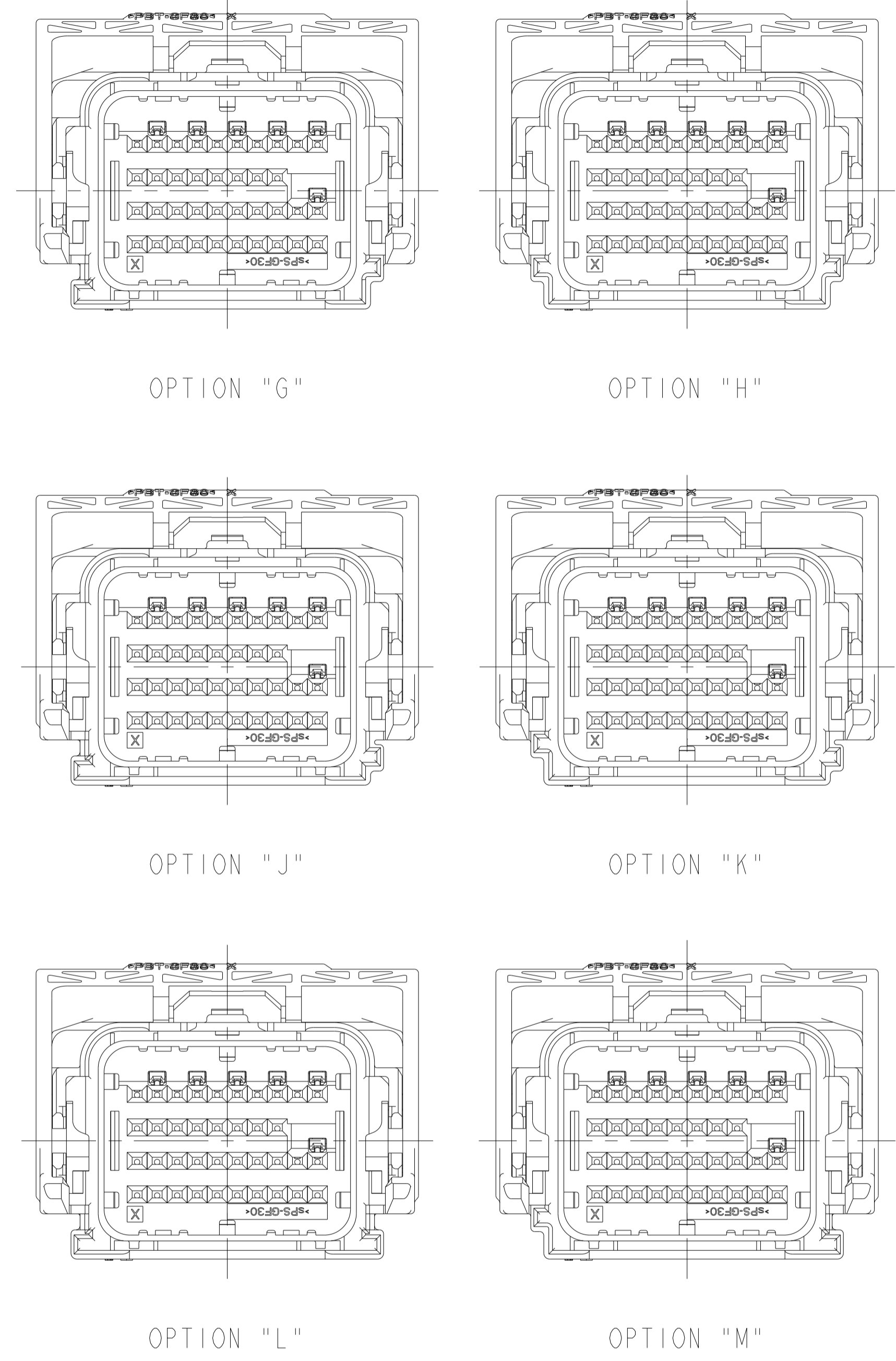


SECTION A-A
SHOWN WITH CAM LEVER
AND TPA IN THEIR
PRE-LOADED POSITIONS
(DELIVERY CONDITION)

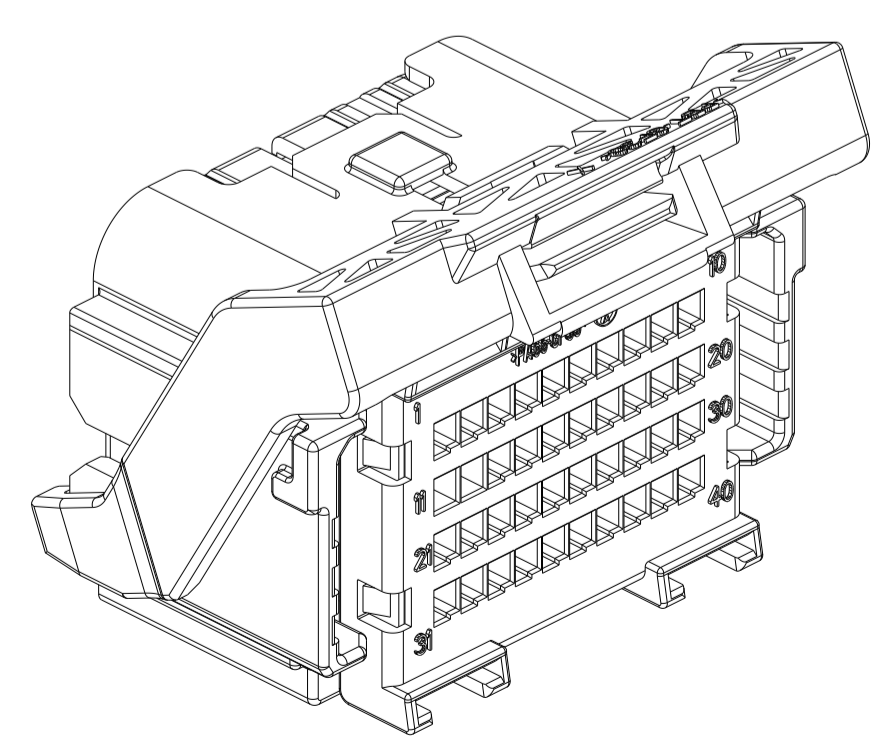


MINIMUM FEED THROUGH CONDITION
WITH 1mm CLEARANCE ALL AROUND
SHOWN WITH OPTION WIRESHIELD
TPA IS IN IT'S LOADED POSITION
CAM LEVER IS IN IT'S PRE-LOADED POSITION

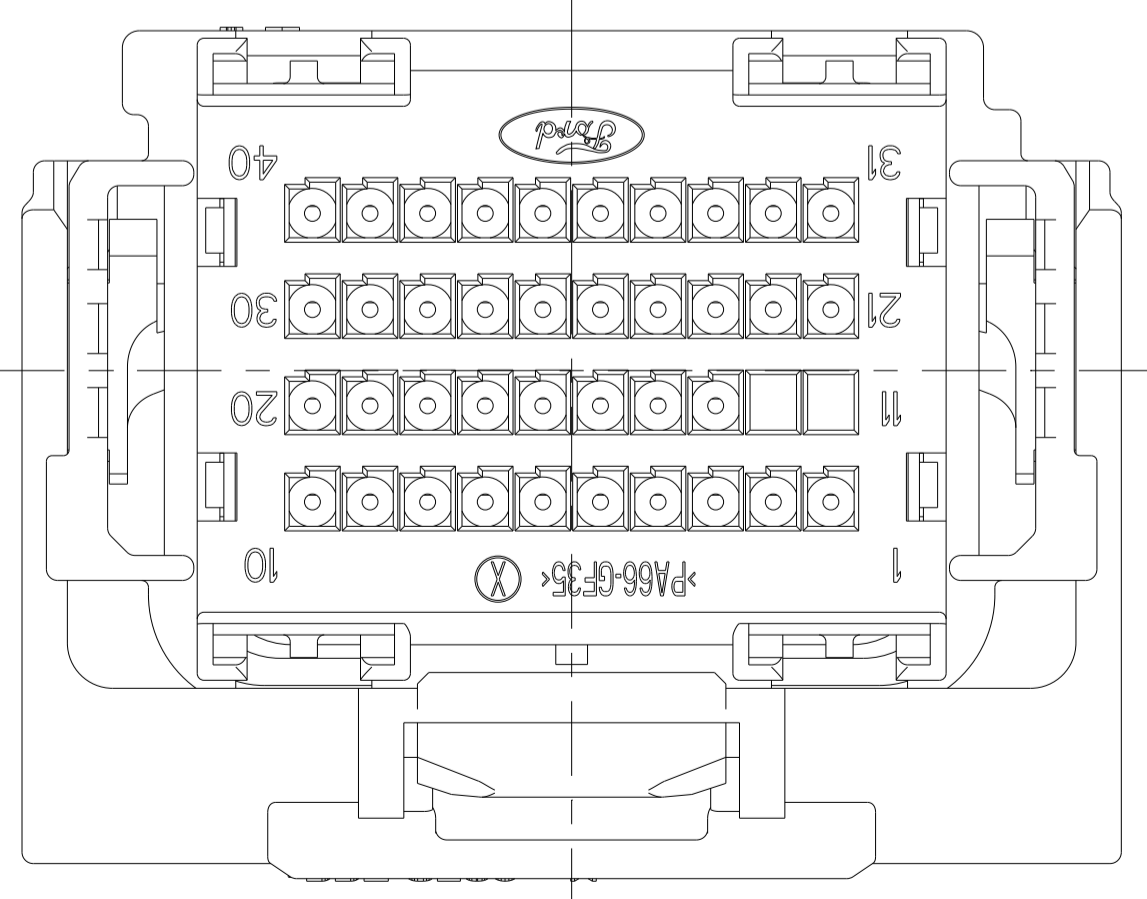
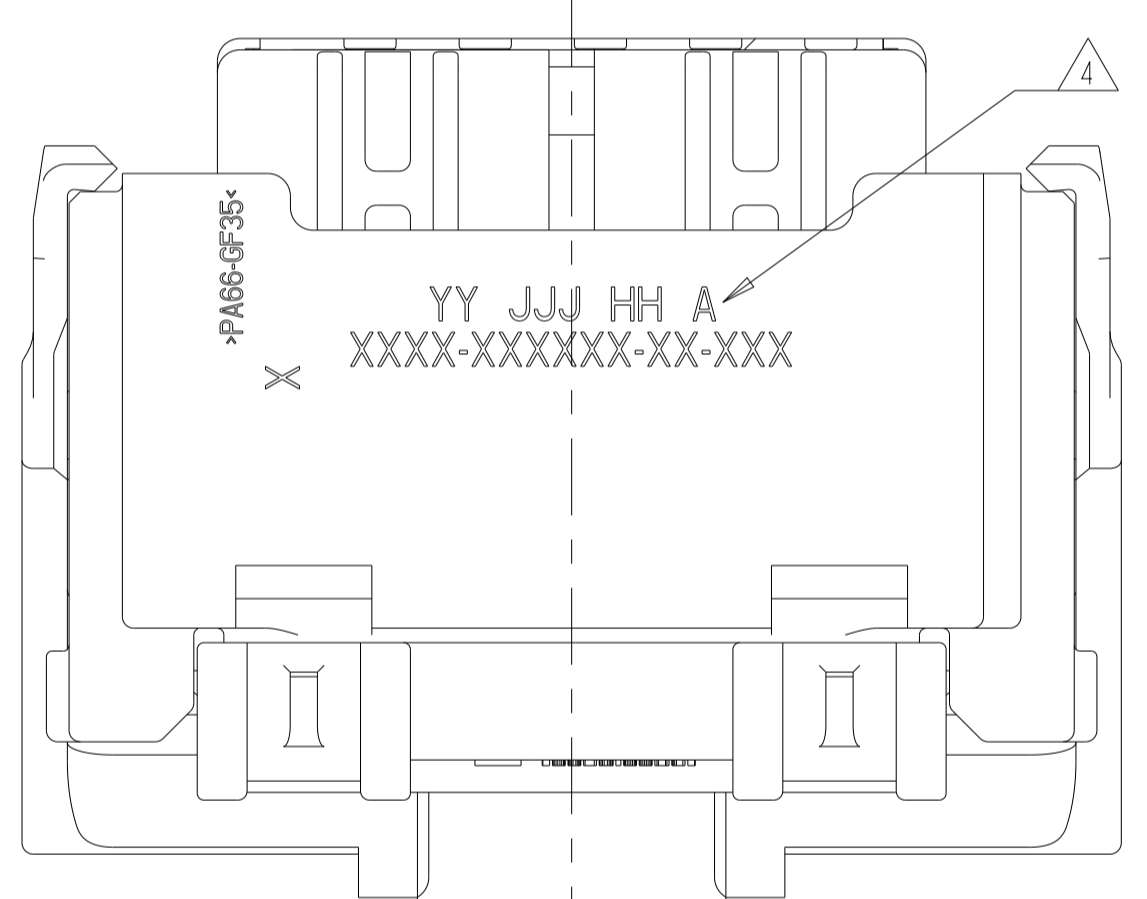
KEYING OPTIONS
SCALE 2:1



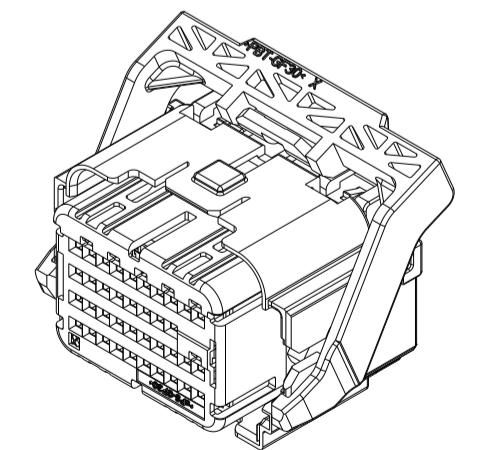
SCALE 2:1



THIS VIEW SHOWS THE
MODIFIED CAM LEVER
SCALE 2:1



- NOTE(S):
- APPLICABLE TERMINAL PART NUMBERS (SOLD SEPARATELY):
FOR TIN APPLICATIONS: 1393367 AND 1393366.
FOR GOLD APPLICATIONS: 1393365 AND 1393364.
FOR TERMINATION AND REELING OPTIONS
SEE DRAWINGS 1393367, 1393366, 1393365, AND 1393364.
 - COMPATIBLE WIRE SIZES FOR MAT SEAL DESIGN 1.19 TO 2.06 O.D.
(22-18 AWG, 0.35-0.75 mm²)
 - TPA AND CAM LEVER ARE SHIPPED IN THEIR PRE-LOADED POSITION.
ALL ASSEMBLIES ARE TO BE TRAY PACKAGED.
 - CUSTOMER PART NUMBER AND TRACEABILITY CODE (YY = TWO DIGIT YEAR,
JJJ = JULIAN DAY, HH = TWO DIGIT MILITARY HOUR, A=ASSEMBLY PROCESS
USED) ARE PRINTED IN THIS LOCATION.
 - PART ASSEMBLY WEIGHT WITHOUT TERMINALS AND WITH STANDARD PIN-OUT
CONFIGURATION IS 26.09 GRAMS.
 - OPTIONAL WIRESHIELD P/N 8-1419157-8 (SOLD SEPARATELY). PLEASE CONTACT
YOUR TYCO ELECTRONICS SALES REPRESENTATIVE FOR AVAILABILITY AND PRICING.
 - OBSELETE PART.



SCALE 1:1

KEYING OPTION "G" SHOWN
SEE SHEET 2 FOR BILL OF MATERIALS
AND SHEET 3 FOR PIN-OUT CHARTS

THIS DRAWING IS A CONTROLLED DOCUMENT.		DWN M. FORLSKA 20APR2002		NAME 40 WAY ARM PLUG ASSEMBLY WITH SHORTING BARS CUSTOMER SPEC.
DIMENSIONS: mm		CHK M. FORLSKA 20APR2002		
TOLERANCES UNLESS OTHERWISE SPECIFIED:		APVD A. VALASEK 20APR2002	PRODUCT SPEC	
0 PLC ±		APPLICATION SPEC		
1 PLC ±0.3		SIZE CAGE CODE DRAWING NO RESTRICTED TO		
2 PLC ±0.10		WEIGHT SEE NOTE 5 A 00779 C=7-1419157-9		
3 PLC ±		CUSTOMER DRAWING		
4 PLC ±		SCALE 3:1 SHEET 1 OF 3 REV BT3		
ANGLES ±3°				
FINISH				

REVISIONS				
P	LTN	DESCRIPTION	DATE	APPD
-	-	SEE SHEET 1	-	-

ASSEMBLY PART NUMBERS							ITEM	DESCRIPTION	MATERIAL	FINISH/COLOR
								CAM LEVER	PBT 30% GF	GRAY
								CAM LEVER WITH MODIFIED TAB	PBT 30% GF	GRAY
								PERIMETER SEAL	SILICONE	GREEN
								GROMMET	SILICONE	BROWN
							6	SHORTING BAR	S.S.	SEE COMPONET DRAWING
								COVER	PA66 35% GF	BLACK
								TPA FOR SHORTING BAR APPLICATIONS	sPS 30% GF	RED OR NATURAL
							1	PLUG WITH KEYING OPTION "H" AND 6 SHORTING BAR POSITIONS CONFIGURATION	PA66 35% GF	BLACK
							1	PLUG WITH KEYING OPTION "G" AND 6 SHORTING BAR POSITIONS CONFIGURATION	PA66 35% GF	BLACK

QUANTITY	ITEM	DESCRIPTION	MATERIAL	FINISH/COLOR

ASSEMBLY PART NUMBERS							ITEM	DESCRIPTION	MATERIAL	FINISH/COLOR
								CAM LEVER	PBT 30% GF	GRAY
								CAM LEVER WITH MODIFIED TAB	PBT 30% GF	GRAY
								PERIMETER SEAL	SILICONE	GREEN
								GROMMET	SILICONE	BROWN
6							6	SHORTING BAR	S.S.	SEE COMPONET DRAWING
								COVER	PA66 35% GF	BLACK
								TPA FOR SHORTING BAR APPLICATIONS	sPS 30% GF	RED OR NATURAL
							1	PLUG WITH KEYING OPTION "H" AND 6 SHORTING BAR POSITIONS CONFIGURATION	PA66 35% GF	BLACK
							1	PLUG WITH KEYING OPTION "G" AND 6 SHORTING BAR POSITIONS CONFIGURATION	PA66 35% GF	BLACK

QUANTITY	ITEM	DESCRIPTION	MATERIAL	FINISH/COLOR

ASSEMBLY PART NUMBERS							ITEM	DESCRIPTION	MATERIAL	FINISH/COLOR
								CAM LEVER	PBT 30% GF	GRAY
								CAM LEVER WITH MODIFIED TAB	PBT 30% GF	GRAY
								PERIMETER SEAL	SILICONE	GREEN
								GROMMET	SILICONE	BROWN
6							6	SHORTING BAR	S.S.	SEE COMPONET DRAWING
								COVER	PA66 35% GF	BLACK
								TPA FOR SHORTING BAR APPLICATIONS	sPS 30% GF	RED OR NATURAL
							1	PLUG WITH KEYING OPTION "H" AND 6 SHORTING BAR POSITIONS CONFIGURATION	PA66 35% GF	BLACK
							1	PLUG WITH KEYING OPTION "G" AND 6 SHORTING BAR POSITIONS CONFIGURATION	PA66 35% GF	BLACK

QUANTITY	ITEM	DESCRIPTION	MATERIAL	FINISH/COLOR

THIS DRAWING IS A CONTROLLED DOCUMENT.		OWN: M. FORISKA, 20APR2002	 TE Connectivity NAME: 40 WAY ARM PLUG ASSEMBLY WITH SHORTING BARS CUSTOMER SPEC.		
DIMENSIONS:		CHK: M. FORISKA, 20APR2002			APVD: A. VALASEK, 20APR2002
TOLERANCES UNLESS OTHERWISE SPECIFIED:		PRODUCT SPEC			
mm	0 PLC ±.0 1 PLC ±0.3 2 PLC ±0.10 3 PLC ±.1 4 PLC ±.1 ANGLES ±.3° FINISH	APPLICATION SPEC	RESTRICTED TO		
MATERIAL: SEE CHART		WEIGHT: -	CAGE CODE: 00779 DRAWING NO: 7-1419157-9	SCALE: 3:1	
		CUSTOMER DRAWING	SHEET 2 OF 3	REV BT3	

