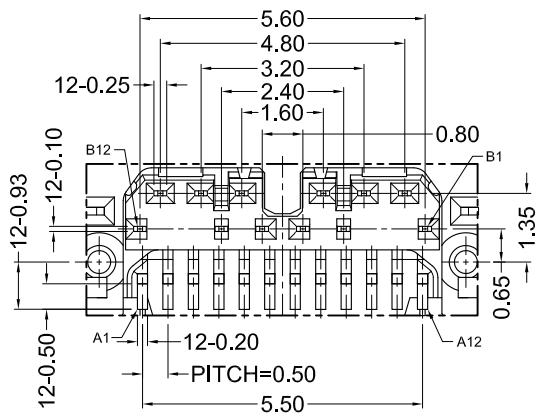
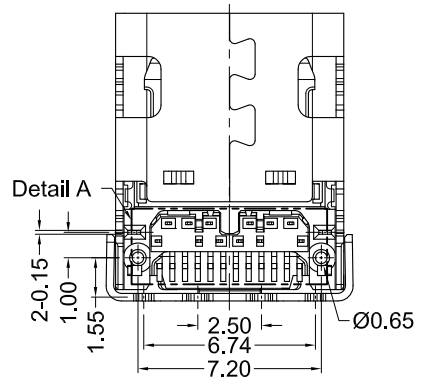
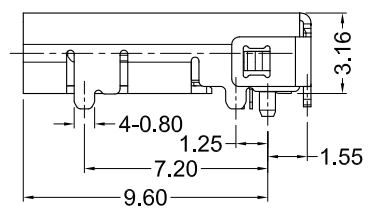
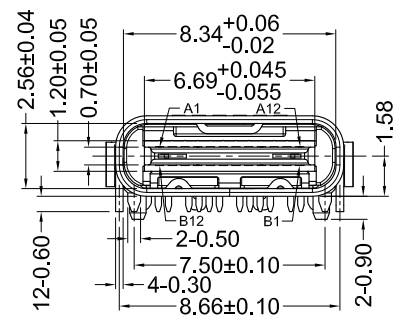
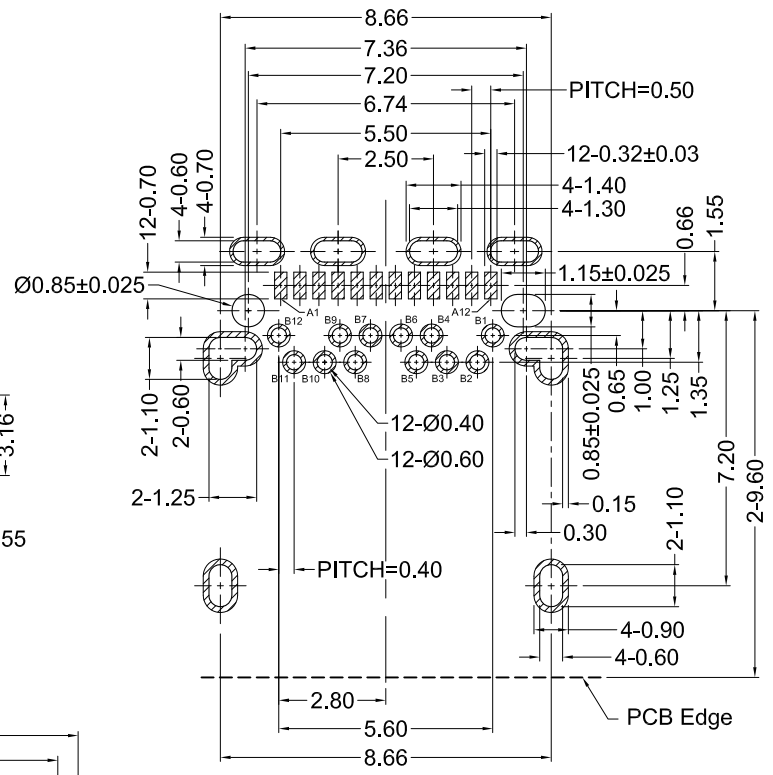


3D Views



Detail A



Recommended PCB Layout (Top View)

Materials and Finish

Housing: High Temp Thermoplastic
UL 94V-0 Rated, Black Color
Shield: Stainless Steel, Nickel Plated
Contact Material:
Copper Alloy
Contact plating:
Contact Area: 2u" Min Au + 30u" Min
Ni-Pd Over 80u" Min Ni Underplate
Lead Area: 200u" Max Sn

Electrical Characteristics

Rated Current:
5.0A Inclusive (1.25A Ea.) For Pins
A4, A9, B4, and B9 (VBUS)
1.25A For pin B5 (VCONN)
6.25A Inclusive For Pins
A1, A12, B1, and B12 (GND)
0.25A For All Other Pins
Rated Voltage: 30V
Insulation Resistance:
100 Megohms Min. at 100V DC
Contact Resistance:
40 milliohms Max.
Dielectric Withstanding Voltage:
100V AC RMS for 1 Minute

Mechanical Characteristics

Insertion Force: 5N - 20N
Withdrawal Force: 6N - 20N
Durability: 10000 Mating Cycles Min.
Operating Temperature:
-30°C to +85°C

Tolerances
X.X ± 0.25
X.XX ± 0.15
Unless Stated Otherwise



REV.	DATE	DESCRIPTION	REV. BY	CHK. BY	DRAWN BY	DATE
A0	02/16/17	New Drawing	C. Kelleher	W. Cook		
A1	05/11/17	Release Drawing	J. Elbanna	G. Serrato	C. Kelleher	02/09/17

KUSBX-SMTH-CS1-BTR

Type-C USB 3.1 Socket, SMT & Thru Hole

Leads, High Temp, RoHS Compliant

