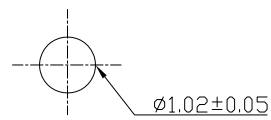
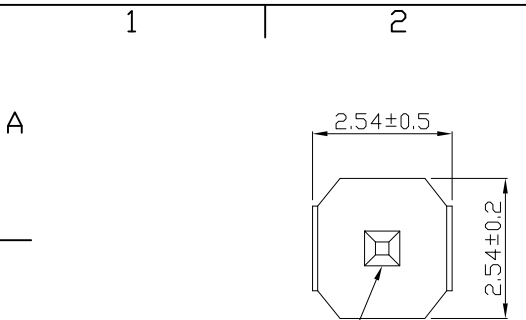


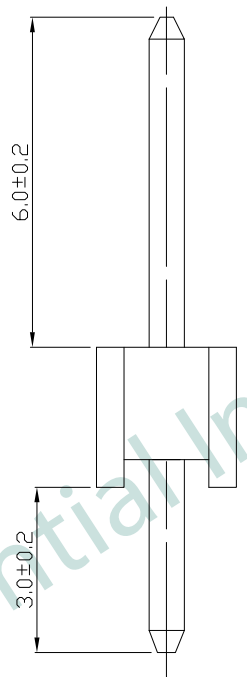
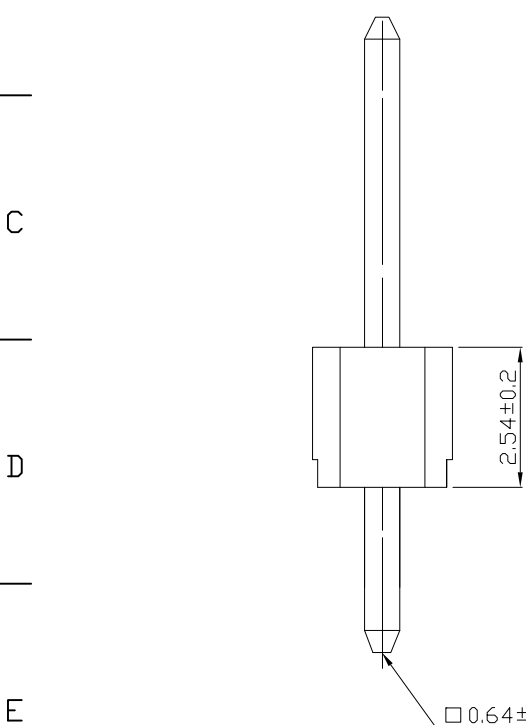
REV.	DATE	DESCRIPTION
01	May. 26, '20	1st RELEASE



P. C. B HOLE LAYOUT

NOTES:
 1. SPECIFICATIONS
 CURRENT RATING: 3Amps
 OPERATING TEMPERATURE: -40°C ~ +105°C
 CONTACT MATERIAL: COPPER ALLOY
 INSULATION RESISTANCE: 5000MΩ MIN.
 DIELECTRIC WITHSTANDING: AC 1000 V
 INSULATOR MATERIAL: POLYESTER, UL 94V-0
 STANDARD: P.B.T
 FINISH: TIN, GOLD OR DUPLEX PLATED
 STANDARD: GOLD FLASH ALL OVER

2. UNSPECIFIED TOLERANCE: .XX ±0.15
 .X ±0.20



KWAF-WDS-01251-01-XXX

PRODUCT SERIES: KWAF
 CATEGORY: W: WIRE TO BOARD
 PCB CONNECTOR TYPE: D: DIP STRAIGHT 180°
 S: SINGLE ROW
 NUMBER OF PIN: 25
 HOUSING COLOR: 1: BLACK
 PITCH: 25: 2.54mm
 SERIAL NUMBER: 01
 CUSTOMER CODE: XXX

PART NO		KWAF-WDS-01251-01-XXX		
TITLE	WIRE TO BOARD, DIP STRAIGHT 180°, SINGLE ROW, PITCH=2.54mm			
REV : 01				
UNIT	DRAWN	CHKD	DATE	SHEET
mm[inch]	CINDY	VINCENT	May. 26, '20	1 of 1