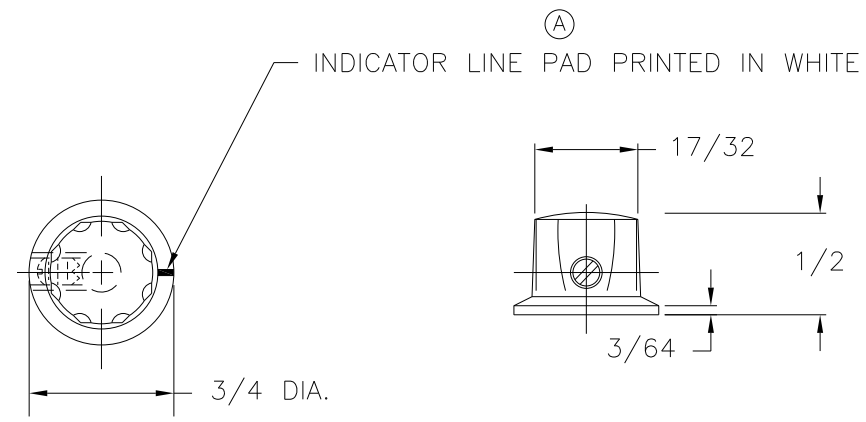


PART NAME: KNOB SCALE: 1:1 DATE: 3/21/96 DR. BY TD

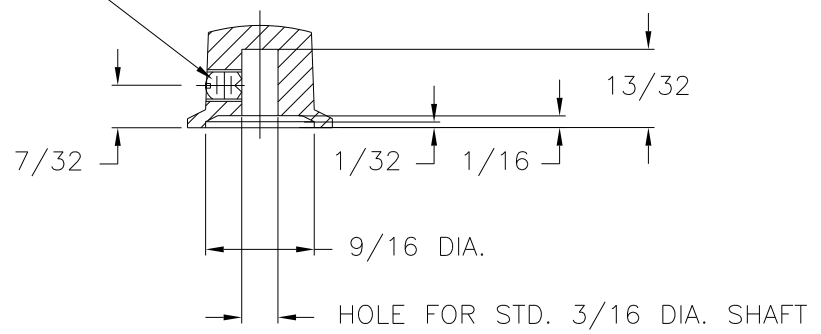
DAVIES MOLDING COMPANY
CAROL STREAM, ILLINOIS 60188

P/N	1910-G
BASE PART	1910-06
SET SCREW	I0328

THIS DRAWING IS THE PROPERTY OF DAVIES MOLDING COMPANY, IS SUBMITTED SOLELY AS A DESIGN OR ENGINEERING PROJECT. WE ACCEPT NO RESPONSIBILITY WHATSOEVER FOR THE PRACTICAL APPLICATION OF THE PIECES MADE TO THIS DESIGN.



USE # 28 TAP DRILL
8-32x3/16 SLOTTED ,CUP POINTED,
HEADLESS, SET SCREW, I-328



MATERIAL: G.P. PHENOLIC (B11)
COLOR: BLACK

TOLERANCES: UNLESS OTHERWISE SPECIFIED	DO NOT SCALE DRAWING				
DECIMALS: X.XXX ± .005 X.XX ± .015	MM: X.XX ± 0.15MM X.X ± 0.4MM	A	WAS PAINT FILLED	JAM	7/1/11
FRACTIONS ± 1/64	ANG. ± 1°	-	UPDATED/HAD TOOLBOX	EV.	8/13/02
CHANGES					