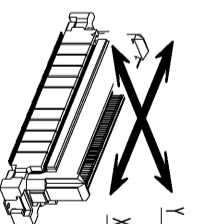
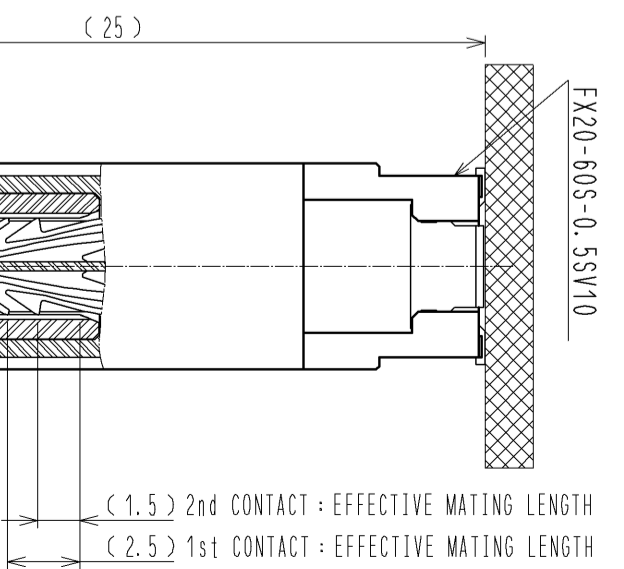


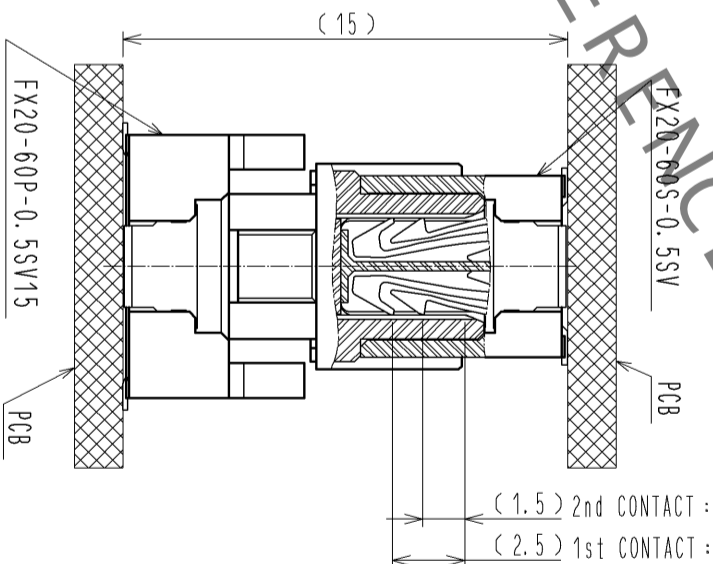
③ FLOATING RANGE



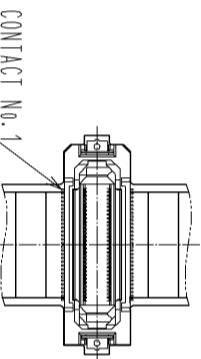
CROSS SECTION OF MATING(FREE)



CROSS SECTION OF MATING(FREE)



A (1 : 1)



HRS DRAWING FOR REFERENCE

NOTE 1 LEAD CO-PLANARITY IS 0.1mm MAX.

- ② THIS IS PACKAGED IN TRAY. (70pcs/TRAY)
- ③ FLOATING RANGE OF THIS CONNECTOR IS $\pm 0.6\text{mm}$ MAX.
- ④ BLEMISH AND HIT MARK CAN BE OCCURED THROUGH OUT THE MANUFACTURING PROCESS WHICH DOESN'T AFFECT QUALITY LEVEL. PLEASE NOTE THAT EXCESSIVE WRENCHING FORCE COULD DAMAGE THIS CONNECTOR.
- ⑤ PLEASE REFER TO THE GUIDELINE FOR DETAILED REGULATIONS OF THE MATING METHOD.
- ⑥ THE DIMENSIONS IN PARENTHESES ARE FOR REFERENCES.

NO.	MATERIAL	FINISH . REMARKS	NO.	MATERIAL	FINISH . REMARKS
2	POLYAMIDE	BLACK UL94V-0	4	BRASS	TIN-PLATING 1 μm
1	POLYAMIDE	BLACK UL94V-0	3	COPPER ALLOY	CONTACT AREA: GOLD 0.1 μm LEAD AREA: GOLD 0.03 μm UNDER PLATING: NICKEL 1 μm

UNITS	SCALE	COUNT	DESCRIPTION OF REVISIONS	DESIGNED	CHECKED	DATE
mm	2 : 1					

APPROVED	CHECKED	DESIGNED	DRAWN	DRAWING NO.	PART NO.	CODE
HS. OKAWA	KI. HIROKAWA	KI. DOI	KI. DOI	12.03.06	12.03.06	12.03.02
				EDC3-336320-00	FX20-60P-0.5SV15	CL570-1002-3-00