

# SACC-E-MS-5CON-M16/0,5 PP - Device connector front mounting



1027694

<https://www.phoenixcontact.com/pc/products/1027694>

Please be informed that the data shown in this PDF document is generated from our online catalog. Please find the complete data in the user documentation. Our general terms of use for downloads are valid.



Device connector front mounting, Universal, 5-position, Plug, straight, M12-Push-Pull, coding: A , on free cable end, Front mounting, M16 x 1.5, Individual wires, cable length: 0.5 m, 0.34 mm<sup>2</sup>, TPE litz wire, Item is lead-free in accordance with RoHS II without Exemption 6c (Pb <0.1%)

## Your advantages

- Established M12 standard for secure transmission of signals, data, and power
- Easy and quick cabling of devices and systems in hard-to-reach areas
- Manufacturer-independent M12 push-pull locking system for maximum availability
- Reliable shield connection even under extreme mechanical strain

## Commercial data

Item number	1027694
Packing unit	1 pc
Minimum order quantity	1 pc
Product key	ABQCAB
GTIN	4055626534008
Weight per piece (including packing)	33.4 g
Weight per piece (excluding packing)	22.22 g
Customs tariff number	85444290
Country of origin	DE

# SACC-E-MS-5CON-M16/0,5 PP - Device connector front mounting



1027694

<https://www.phoenixcontact.com/pc/products/1027694>

## Technical data

### Notes

General	The electrical and mechanical data specified assume that the connector pair is correctly locked and mounted. If the connector is unlocked and if there is a danger of contamination, the connector must be sealed using a protective cap > IP54. Influences arising from litz wires, cables or PCB assembly must also be taken into consideration.
---------	--

### Safety note

Safety note	<p>WARNING: The connectors may not be plugged in or disconnected under load. Ignoring the warning or improper use may damage persons and/or property.</p> <ul style="list-style-type: none"><li>• WARNING: Commission properly functioning products only. The products must be regularly inspected for damage. Decommission defective products immediately. Replace damaged products. Repairs are not possible.</li><li>• WARNING: Only electrically qualified personnel may install and operate the product. They must observe the following safety notes. The qualified personnel must be familiar with the basics of electrical engineering. They must be able to recognize and prevent danger. The relevant symbol on the packaging indicates that only personnel familiar with electrical engineering are allowed to install and operate the product.</li><li>• The products are suitable for applications in plant, controller, and electrical device engineering.</li><li>• When operating the connectors in outdoor applications, they must be separately protected against environmental influences.</li><li>• Assembled products may not be manipulated or improperly opened.</li><li>• Only use mating connectors that are specified in the technical data of the standards listed (e.g. the ones listed in the product accessories online at <a href="https://www.phoenixcontact.com/products">phoenixcontact.com/products</a>).</li><li>• When using the product in direct connection with third-party manufacturers, the user is responsible.</li><li>• For operating voltages &gt; 50 V AC, conductive connector housings must be grounded</li><li>• Ensure that the protective or functional ground has been properly connected.</li><li>• VDE 0100/1.97 § 411.1.3.2 and DIN EN 60 204/11.98 § 14.1.3 are applicable when combining several circuits in a cable and/or connector</li><li>• Only use tools recommended by Phoenix Contact</li><li>• The installation notes/Design In documents online on the download page at <a href="https://www.phoenixcontact.com/products">phoenixcontact.com/products</a> must be observed for this product.</li><li>• Operate the connector only when it is fully plugged in and interlocked.</li><li>• Ensure that when laying the cable, the tensile load on the connectors does not exceed the upper limit specified in the</li></ul>
-------------	--

# SACC-E-MS-5CON-M16/0,5 PP - Device connector front mounting



1027694

<https://www.phoenixcontact.com/pc/products/1027694>

	standards.
	<ul style="list-style-type: none"><li>• Observe the minimum bending radius of the cable. Lay the cable without twisting it.</li><li>• The connector warms up in normal operation. Depending on the ambient conditions, the surface of the connector can continue to warm up. In this case, the user is responsible for posting warnings (e.g. DIN EN ISO 13732-1:2008-12).</li></ul>

## Mounting

Mounting type	Front mounting M16 x 1.5
Connection method	Individual wires

## Product properties

Product type	Circular connectors (device side)
Sensor type	Universal
Number of positions	5
Application	Signal
No. of cable outlets	1
Shielded	no
Coding	A
Thread type	M12

## Insulation characteristics

Overvoltage category	II
Degree of pollution	3

## Material specifications

Flammability rating according to UL 94	V0
Seal material	FKM
Material of grip body	Brass, nickel-plated
Contact material	CuZn
Contact surface material	Ni/Au
Contact carrier material	PA 6.6
Material for screw connection	Brass, nickel-plated
Conductor material	Tin-plated Cu litz wires

## Electrical properties

Rated surge voltage	1.5 kV
Contact resistance	$\leq 3 \text{ m}\Omega$
Insulation resistance	$\geq 100 \text{ M}\Omega$
Nominal voltage $U_N$	60 V (AC)
	60 V (DC)
Nominal current $I_N$	4 A
Transmission medium	Copper
Max. conductor resistance	57.6 m $\Omega$ /m

# SACC-E-MS-5CON-M16/0,5 PP - Device connector front mounting



1027694

<https://www.phoenixcontact.com/pc/products/1027694>

## Connection data

### Conductor connection

Connection method	Individual wires
Contact connection type	Pin
Conductor cross section	0.34 mm <sup>2</sup>
Tightening torque	3 Nm
	4 Nm

## Mechanical properties

### Mechanical data

Insertion/withdrawal cycles	> 100
-----------------------------	-------

## Connector

### Connection 1

Head design	Plug
Head cable outlet	straight
Head thread type	M12
Head locking type	Push-Pull
Coding	A

### Connection 2

Head design	free cable end
-------------	----------------

## Cable/line

Cable length	0.5 m
Cable type	TPE litz wire
Signal type/category	Universal
Wire diameter incl. insulation	1.2 mm ±0.07 mm
Single wire, color	black, brown, blue, white, gray
Conductor material	Tin-plated Cu litz wires
Conductor structure signal line	7x 0.25 mm
AWG signal line	22
Material wire insulation	TPE
Thickness, insulation	0.21 mm (Core insulation)
Nominal voltage, cable	300 V
Test voltage, cable	3000 V AC
Cable resistance	≤ 57.6 mΩ/m
Cable insulation resistance	≥ 20 MΩ*km
Ambient temperature (operation)	-40 °C ... 85 °C (cable, fixed installation)
	-25 °C ... 85 °C (Cable, flexible installation)

# SACC-E-MS-5CON-M16/0,5 PP - Device connector front mounting



1027694

<https://www.phoenixcontact.com/pc/products/1027694>

## Environmental and real-life conditions

### Ambient conditions

Degree of protection	IP67
	IP65/IP67
Ambient temperature (operation)	-25 °C ... 85 °C (Plug / socket)
	-40 °C ... 85 °C (without mechanical actuation)
	-25 °C ... 85 °C (Cable, flexible installation)
	-40 °C ... 85 °C (cable, fixed installation)

## Standards and regulations

### M12

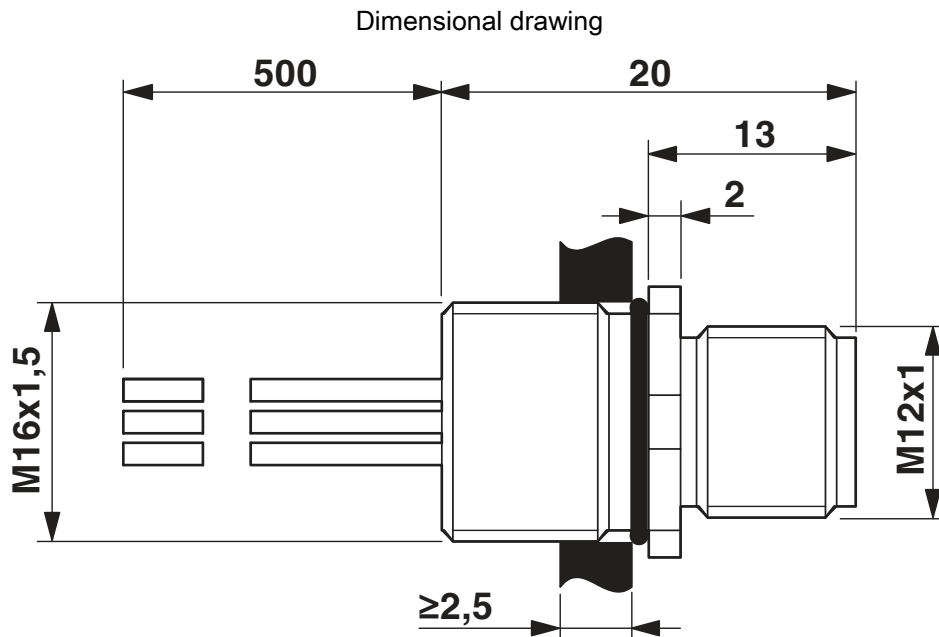
Standard designation	M12 connector
Standards/specifications	IEC 61076-2-010
Note	Push-pull
Standard designation	Shock, vibration
Standards/specifications	EN 50155

# SACC-E-MS-5CON-M16/0,5 PP - Device connector front mounting

1027694

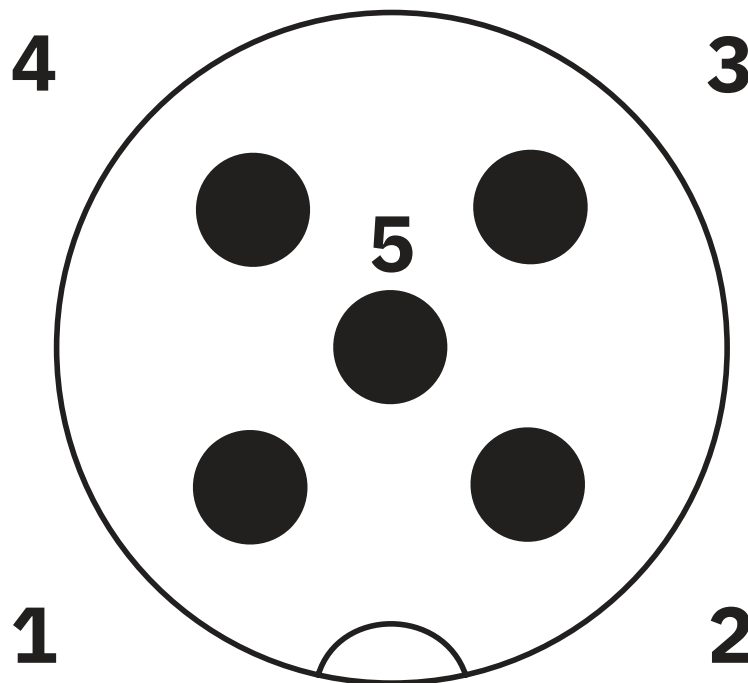
<https://www.phoenixcontact.com/pc/products/1027694>

## Drawings



Dimensional drawing

Schematic diagram



Pin assignment M12 male connector, 5-pos., A-coded, male side

# SACC-E-MS-5CON-M16/0,5 PP - Device connector front mounting



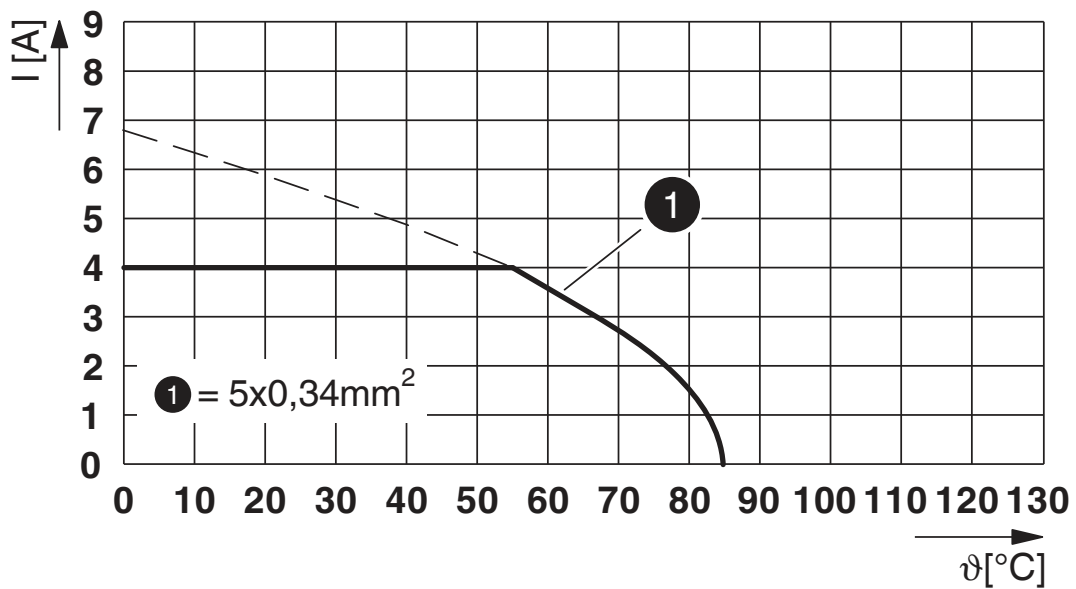
1027694

<https://www.phoenixcontact.com/pc/products/1027694>

Circuit diagram



Diagram



$I$  = current strength,  $T$  = ambient temperature

# SACC-E-MS-5CON-M16/0,5 PP - Device connector front mounting



1027694

<https://www.phoenixcontact.com/pc/products/1027694>

## Classifications

### ECLASS

ECLASS-11.0	27440103
ECLASS-12.0	27440103
ECLASS-13.0	27440103

### ETIM

ETIM 8.0	EC003570
----------	----------

### UNSPSC

UNSPSC 21.0	39121400
-------------	----------



# SACC-E-MS-5CON-M16/0,5 PP - Device connector front mounting



1027694

<https://www.phoenixcontact.com/pc/products/1027694>

## Environmental product compliance

China RoHS

Environmentally friendly use period: unlimited = EFUP-e

No hazardous substances above threshold values

# SACC-E-MS-5CON-M16/0,5 PP - Device connector front mounting



1027694

<https://www.phoenixcontact.com/pc/products/1027694>

## Accessories

### SACC-E-MU-M16 - Flat nut

1504097

<https://www.phoenixcontact.com/pc/products/1504097>

Flat nut, Screw mounting, M16 x 1.5, Alternative product in accordance with RoHS II without Exemption 6c (Pb <0.1%) item no.: 1239863



---

### SACC-M16-SEAL CLM - Flat gasket

1430394

<https://www.phoenixcontact.com/pc/products/1430394>

M16 flat gasket for M12 flush-type connectors with M16 fastening thread



# SACC-E-MS-5CON-M16/0,5 PP - Device connector front mounting



1027694

<https://www.phoenixcontact.com/pc/products/1027694>

## PROT-M12 FS - Sealing cap

1560251

<https://www.phoenixcontact.com/pc/products/1560251>



M12 sealing cap for unoccupied M12 plugs of the sensor/actuator cable, flush-type plugs and I/O devices in the field

---

## PROT-M12 FS-M - Sealing cap

1430488

<https://www.phoenixcontact.com/pc/products/1430488>



M12 metal sealing cap for unoccupied M12 plugs of the sensor/actuator cable, flush-type plugs and I/O devices in the field

---

Phoenix Contact 2023 © - all rights reserved

<https://www.phoenixcontact.com>

PHOENIX CONTACT GmbH & Co. KG

Flachsmarktstraße 8

D-32825 Blomberg

+49 (0) 5235-3 00

[info@phoenixcontact.com](mailto:info@phoenixcontact.com)