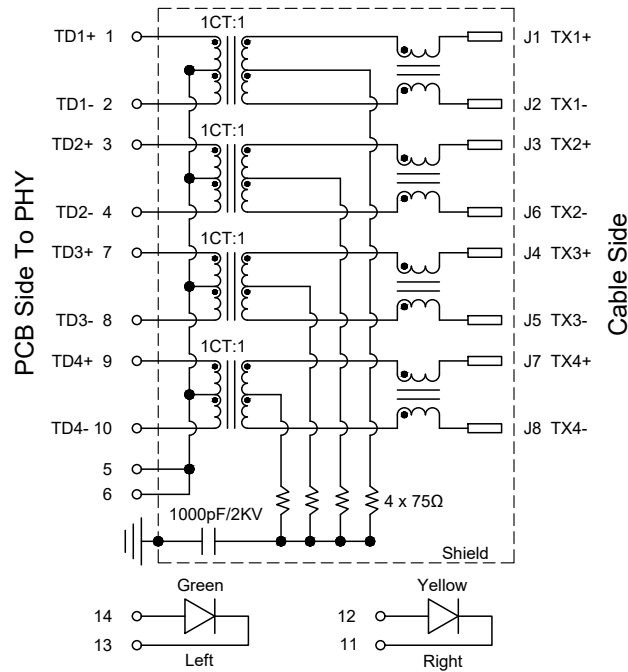


Magnetics Schematic



Materials and Finish

Housing: PBT Thermoplastic
 UL 94V-0 Rated
 Color: Black

Shield: Copper Alloy, Nickel Plated

Contact Material:
 Phosphor Bronze

Contact Plating:
 Standard: Nickel Underplating,
 6u" Gold Plating on Contact Area
 Tin Plated on Solder Tails

Electrical Characteristics

Insulation Resistance:
 500 Megohms Min.
 Contact Resistance:
 20 milliohms Max.
 Dielectric Withstanding Voltage:
 2250V DC 6S 1mA Pri. to Sec.

Mechanical Characteristics

Durability Rating:
 750 Mating Cycles Min.
 Mating Force:
 23N Max.
 Operating Temperature:
 -40°C to +85°C

LED Specification:

| LED Color | LED Wavelength | Foward(A) | Foward(V) |
|-----------|----------------|-----------|------------|
| Green | 568nm | 20mA | 1.85-2.45V |
| Yellow | 585nm | 20mA | 1.7-2.2V |

Electrical Properties:

| Insertion Loss (dB Max.) | Return Loss (dB Min.) | | | | Cross Talk (dB Min.) | | | CMR (dB Min.) | OCL (µH Min.) |
|-----------------------------|--------------------------|----------|----------|-----------|-------------------------|----------|-----------|------------------|------------------|
| | 1~30MHz | 30~60MHz | 60~80MHz | 80~100MHz | 1~30MHz | 30~60MHz | 60~100MHz | | |
| 1~100MHz | -18 | -14 | -12 | -10 | -40 | -35 | -30 | -30 | 350 |

| Tolerances |
|---------------|
| X.X ± 0.30 |
| X.XX ± 0.25 |
| Unless Stated |
| Otherwise |

RoHS COMPLIANT

| REV. | DATE | DESCRIPTION | REV. BY | CHK. BY | DRAWN BY | DATE |
|------|----------|-----------------|-------------|-------------|-------------|----------|
| A0 | 09/29/22 | New Drawing | C. Kelleher | C. Furumasu | C. Kelleher | 09/27/22 |
| A1 | 03/02/23 | Release Drawing | C. Kelleher | C. Furumasu | | |
| | | | | | | |
| | | | | | | |

GK3LX-188S1-1G-GY1

Vertical Mount ModJack, With 1G Magnetics,

LEDs: Green, Yellow, Gold Flash, RoHS Compliant

