

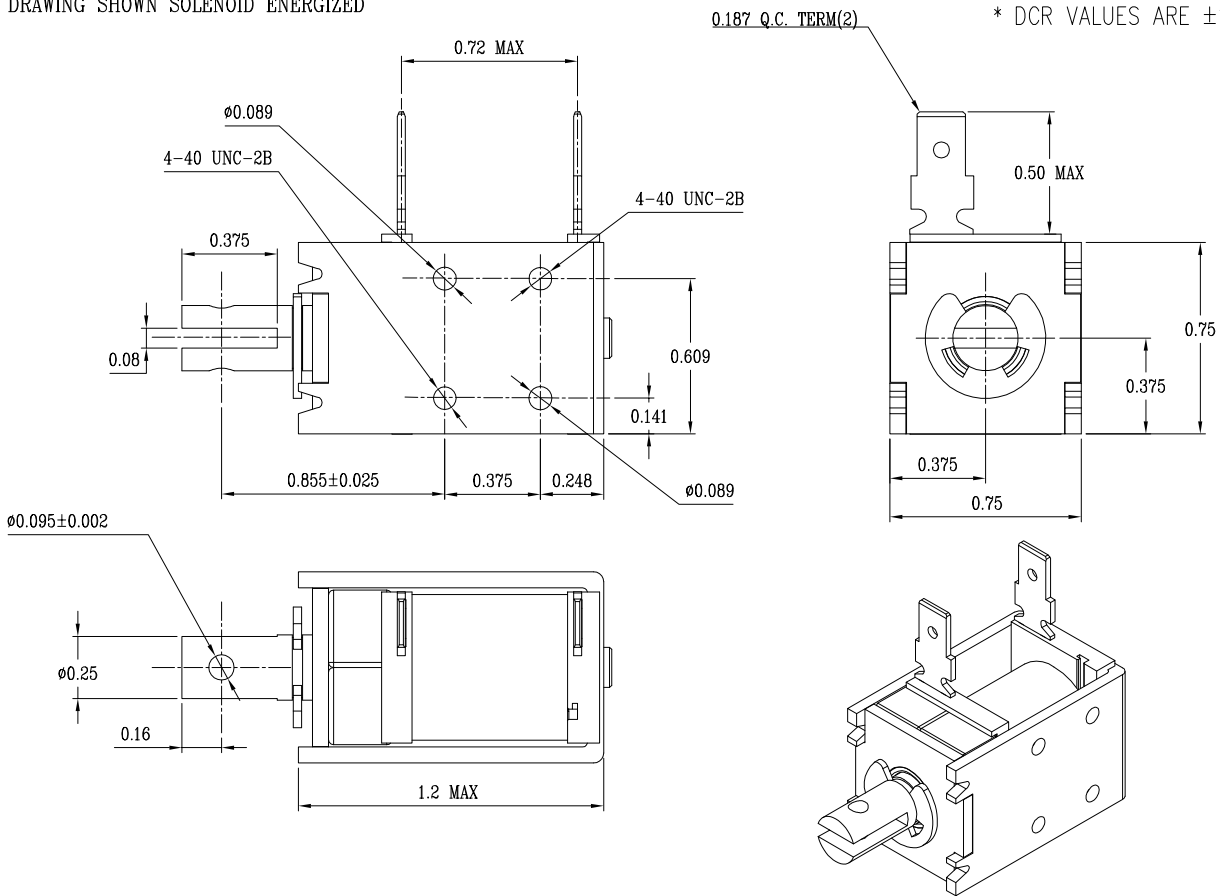
# SOLENOID PRODUCT SPECIFICATION

PART No.	VOLTAGE	DUTY CYCLE	POWER (W)	CURRENT (A)	DCR (Ω) *	Release Volts
DSML-0630-12C	12 VDC	100%	4	0.4	38	6.5-8.5
DSML-0630-12E	12 VDC	25%, 60sec On	9	0.8	16	4.0-6.0
DSML-0630-12P	12 VDC	10%, 0.1sec On	40	3.4	3.6	2.0-3.0
DSML-0630-18C	18 VDC	100%	4	0.25	82	9.5-11.5
DSML-0630-18E	18 VDC	25%, 60sec On	9	0.5	38	6.0-8.0
DSML-0630-18P	18 VDC	10%, 0.1sec On	40	2.3	8	2.5-4.0
DSML-0630-24C	24 VDC	100%	4	0.2	144	15.0-17.0
DSML-0630-24E	24 VDC	25%, 60sec On	9	0.4	64	9.0-11.0
DSML-0630-24P	24 VDC	10%, 0.1sec On	40	1.8	14	3.5-5.5

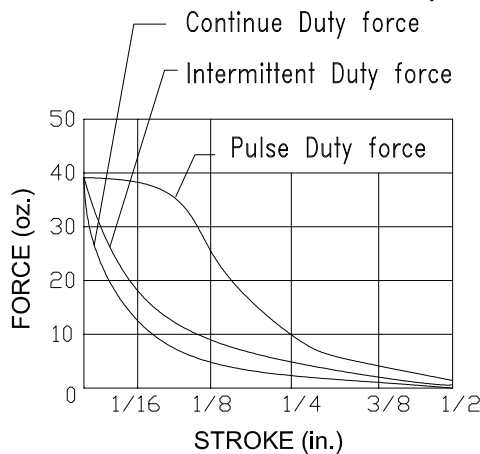
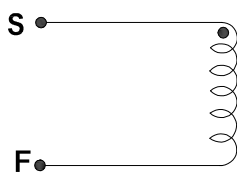
1. MECHANICAL DIMENSIONS :

DRAWING SHOWN SOLENOID ENERGIZED

\* Release value are ±10% at 25°C.  
 \* DCR VALUES ARE ±10% AT 25°C



2. SCHEMATIC AND CONSTRUCTION :



UNIT : inch.

UNLESS TOLERANCES.

XX = ±0.02  
 XX.X = ±0.01  
 ANGLES = ±1°

INSULATION MATERIALS: UL CONSTRUCTION, CLASS B 130°C  
 LIFE EXPECTANCY: 100K CYCLES OPERATIONS

LAYER TEST	IR. @500 Vdc.	HI-POT
(S-F) 500Vp. MIN.	COIL TO FRAME	@50/60Hz.,2mA
TEST ONLY COIL	50 MOHM MIN.	COIL TO FRAME
		1200Vac.,1s