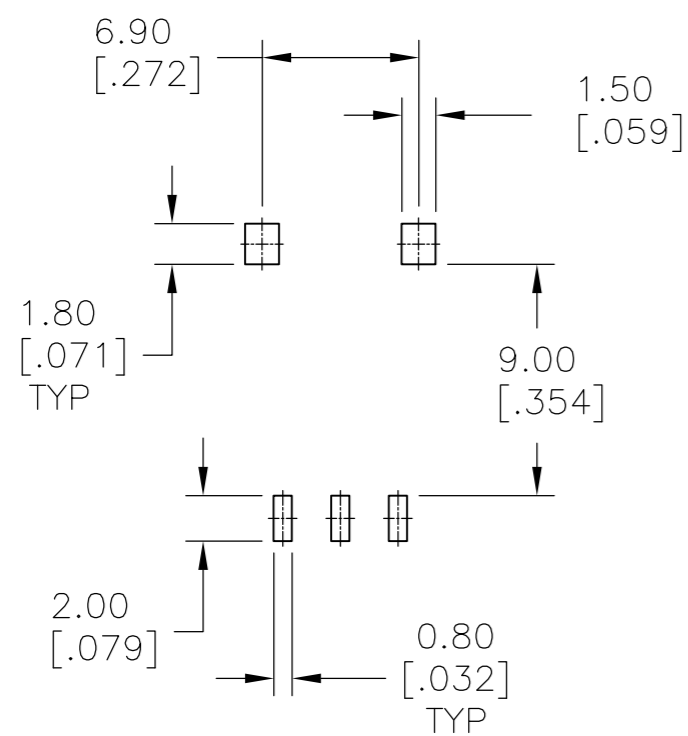
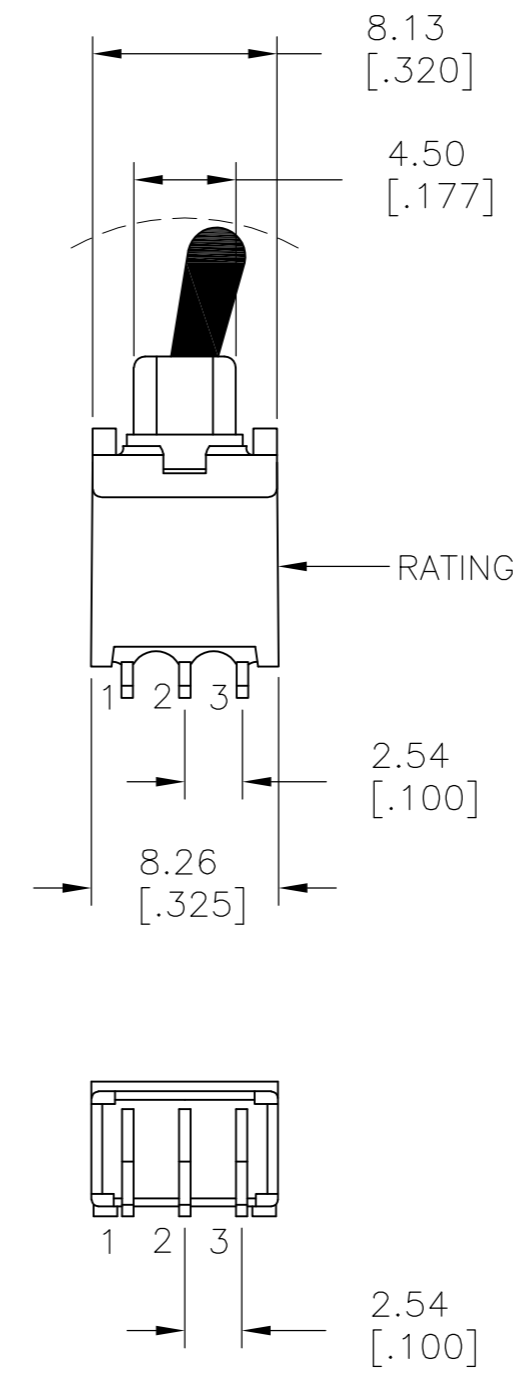
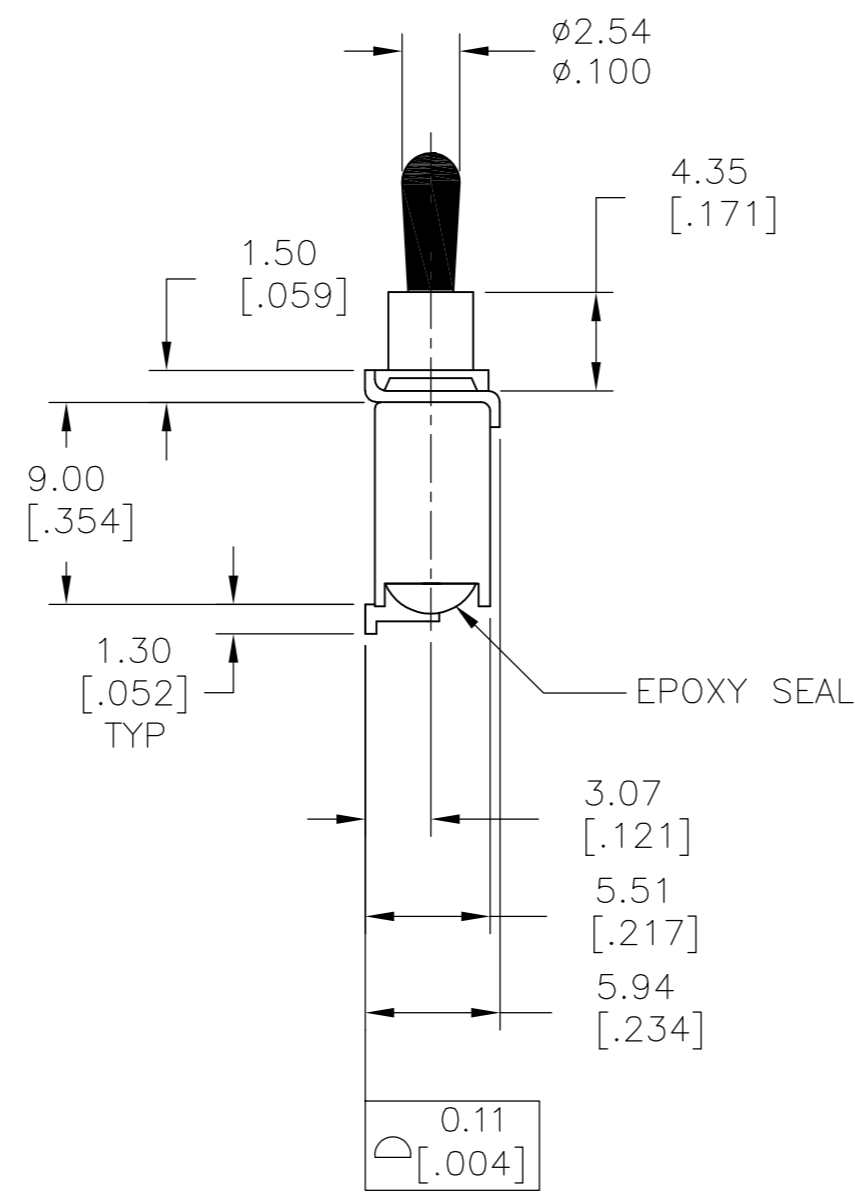
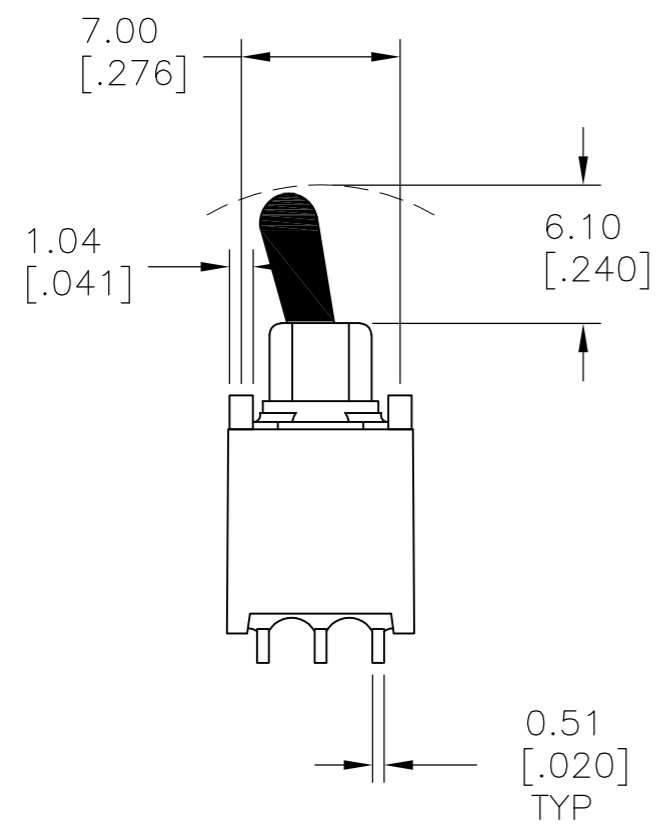


THIS DRAWING IS UNPUBLISHED. RELEASED FOR PUBLICATION
 © COPYRIGHT - By - ALL RIGHTS RESERVED.

LOC	DIST	REVISIONS					
		P	LTR	DESCRIPTION	DATE	DWN	APVD
G	14	A1		REVISED PER ECO-15-006065	22APR2015	NK	RH

SPECIFICATIONS

MECHANICAL LIFE: 30,000 MAKE AND BREAK CYCLES.
 CONTACT RESISTANCE: 20 mΩ MAX. INITIAL @ 2-4VDC
 100mA FOR GOLD PLATED CONTACTS.
 INSULATION RESISTANCE: 1,000MΩ MIN.
 DIELECTRIC STRENGTH: 1,000V RMS MIN @SEA LEVEL.
 OPERATING TEMPERATURE: -30°C TO 85°C.
 CONTACT RATING: 0.4VA MAX @ 20V MAX (AC OR DC)



P.C. MOUNTING

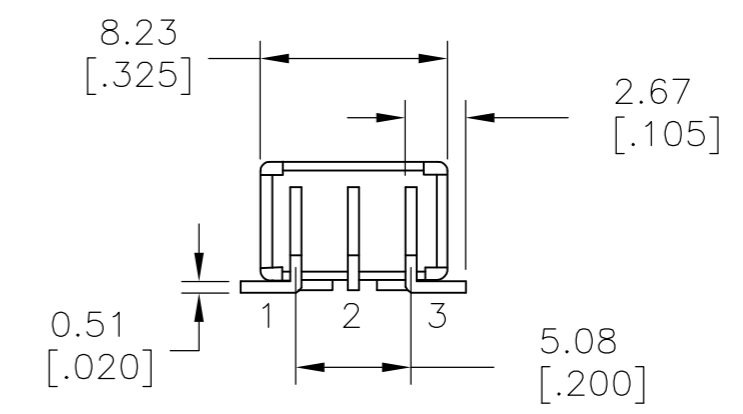
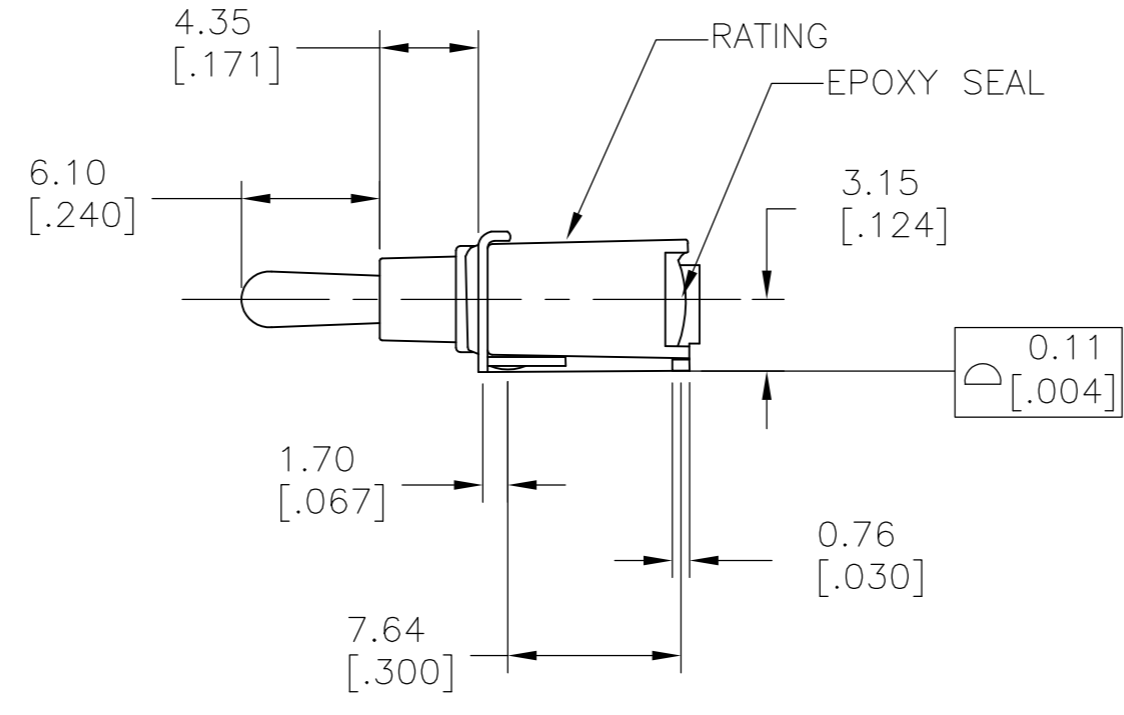
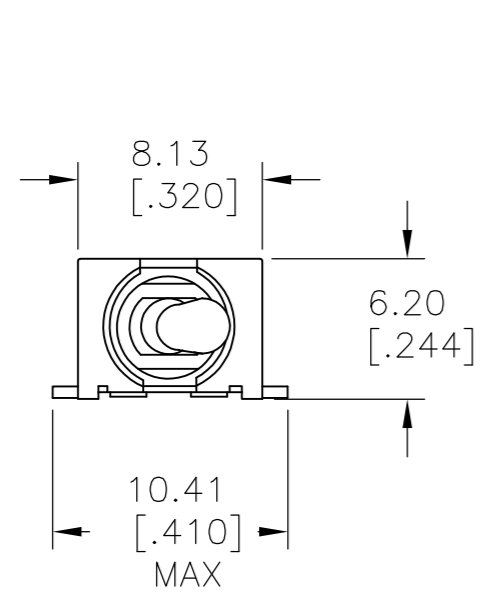
VERTICAL LAYOUT

VERTICAL, SMT	PLASTIC	2-1	2-3	(ON)-ON	2	1	TBS2TBA1MZRES	2267131-6
RIGHT ANGLE, SMT	BRASS	2-1	2-3	(ON)-ON	2	1	TBS2T2A1MTRES	2267131-5
VERTICAL, SMT	PLASTIC	2-1	2-3	ON-ON	2	1	TBS1TBA1MZRES	2267131-4
RIGHT ANGLE, SMT	PLASTIC	2-1	2-3	ON-ON	2	1	TBS1TBA1MTRES	2267131-3
VERTICAL, SMT	BRASS	2-1	2-3	ON-ON	2	1	TBS1T2A1MZRES	2267131-2
RIGHT ANGLE, SMT	BRASS	2-1	2-3	ON-ON	2	1	TBS1T2A1MTRES	2267131-1
TERMINATION	ACTUATOR	POS 2	POS 1	FUNCTION	THROWS	POLES	TE DESCRIPTIVE PART NUMBER	TE PART NUMBER

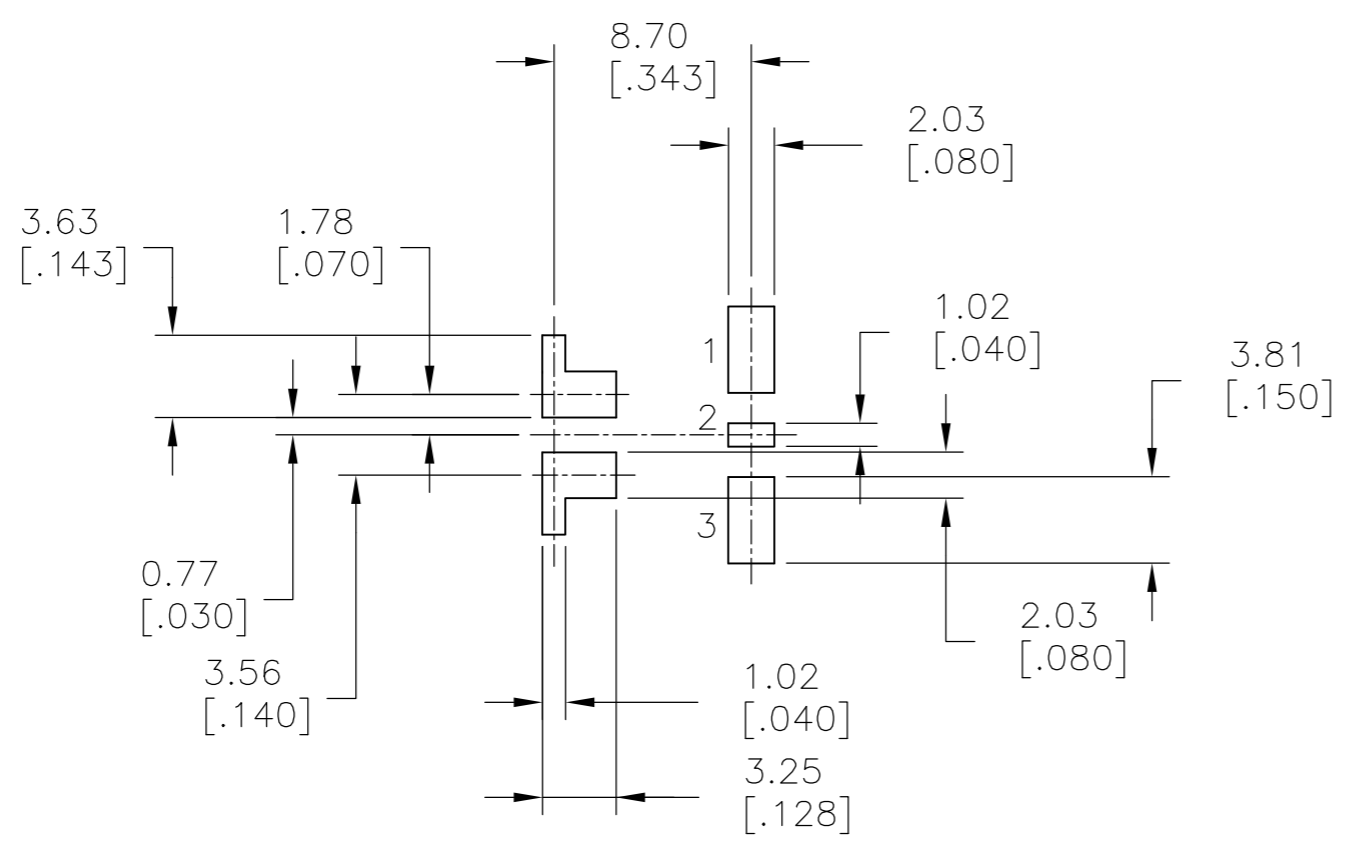
THIS DRAWING IS A CONTROLLED DOCUMENT.		DWN 20JUN2014 NAGALAKSHMI K		
DIMENSIONS: mm [INCHES]		CHK 20JUN2014 HILL RYAN		
TOLERANCES UNLESS OTHERWISE SPECIFIED:		APVD 20JUN2014 HILL RYAN	NAME SUBMINIATURE TOGGLE SWITCH, SEALED, SMT	
0 PLC ± -		PRODUCT SPEC	SIZE CAGE CODE DRAWING NO RESTRICTED TO	
1 PLC ± 0.40[.015]		APPLICATION SPEC	A2 - C=2267131	
2 PLC ± 0.25[.010]		WEIGHT -	SCALE 1:1 SHEET 1 OF 2 REV A1	
3 PLC ± -		CUSTOMER DRAWING		
4 PLC ± -				
ANGLES ± 5°				
FINISH				

THIS DRAWING IS UNPUBLISHED. RELEASED FOR PUBLICATION
 © COPYRIGHT - By - ALL RIGHTS RESERVED.

LOC	DIST	REVISIONS			
P	LTR	DESCRIPTION	DATE	DWN	APVD
G	14	SEE SHEET 1	-	-	-



RIGHT ANGLE LAYOUT



P.C. MOUNTING

THIS DRAWING IS A CONTROLLED DOCUMENT.		DWN NAGALAKSHMI K 20JUN2014					
DIMENSIONS: mm [INCHES]		CHK HILL RYAN 20JUN2014					
TOLERANCES UNLESS OTHERWISE SPECIFIED:		APVD HILL RYAN 20JUN2014	NAME SUBMINIATURE TOGGLE SWITCH, SEALED, SMT				
0 PLC ± - 1 PLC ± 0.40[.015] 2 PLC ± 0.25[.010] 3 PLC ± - 4 PLC ± - ANGLES ± 5°		PRODUCT SPEC -	SIZE A2	CAGE CODE -	DRAWING NO C=2267131	RESTRICTED TO -	
MATERIAL		FINISH	WEIGHT -	SCALE 1:1		SHEET 2 OF 2	REV A1
CUSTOMER DRAWING							