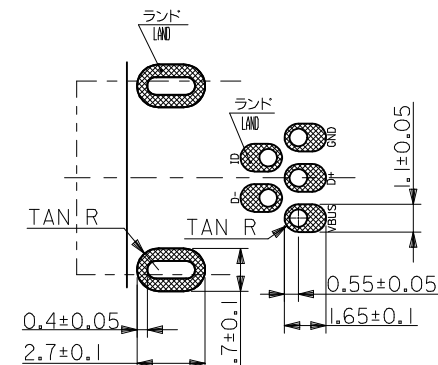
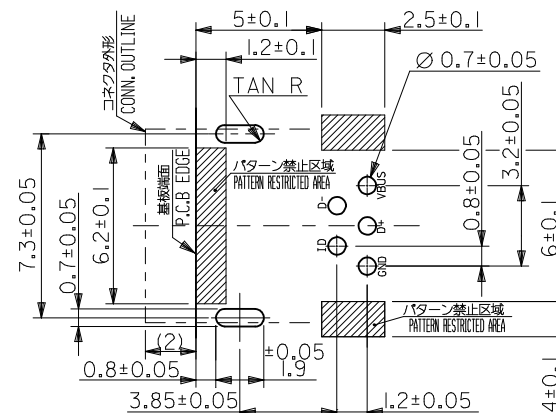
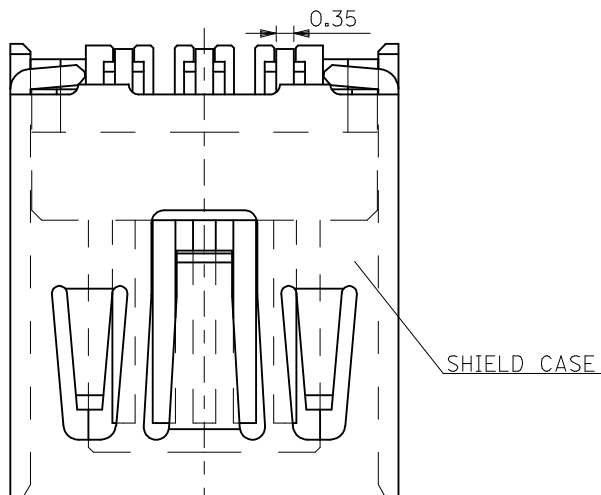
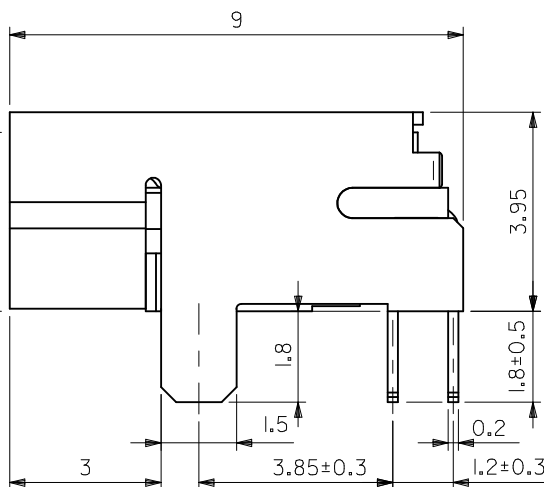
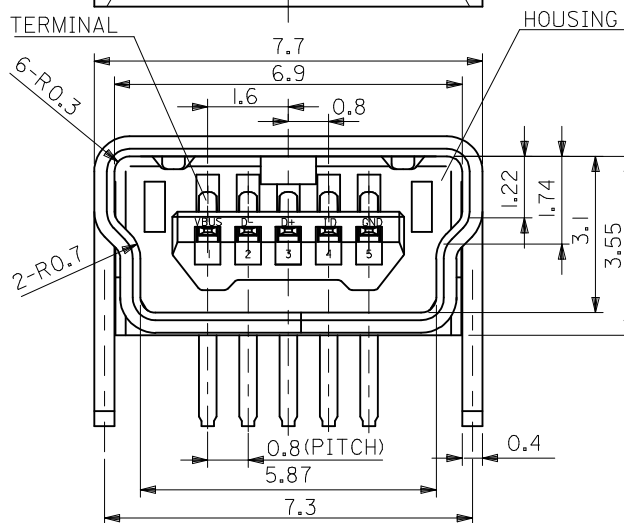


コネクタ実装側 (CONNECTOR MOUNT SIDE)

逆側 (REVERSE SIDE)



推奨基板寸法
RECOMMENDED P.C.B. PATTERN LAYOUT



注記 1. 材質
NOTES MATERIAL

ハウジング: ポリアミド, ガラス充填, 黒色, UL94V-0
HOUSING: PA, GLASS FILLED, BLACK, UL94V-0
ターミナル: 銅合金 (t=0.2)
TERMINAL: COPPER ALLOY (t=0.2)
シールド ケース: 銅合金 (t=0.4)
SHIELD CASE: COPPER ALLOY (t=0.4)

2. メッキ仕様
PLATING

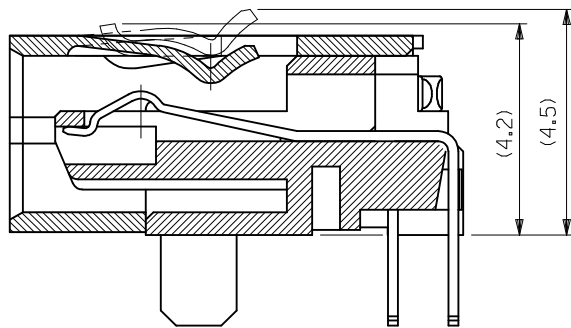
ターミナル
TERMINAL
接点部: 金メッキ 0.75 MICRO METER MIN.
CONTACT AREA: GOLD 0.75 MICRO METER MIN.
半田付け部: 半田メッキ 3.8 MICRO METER MIN.
SOLDER TAIL AREA: TIN-LEAD 3.8 MICRO METER MIN.
下地部: ニッケルメッキ 1.25 MICRO METER MIN.
UNDER PLATING: NICKEL 1.25 MICRO METER MIN.
シールド ケース
SHIELD CASE
: 半田メッキ 2.5 MICRO METER MIN.
: TIN-LEAD 2.5 MICRO METER MIN.
下地部: ニッケルメッキ 1 MICRO METER MIN.
UNDER PLATING: NICKEL 1 MICRO METER MIN.

54819-0511
MATERIAL No.

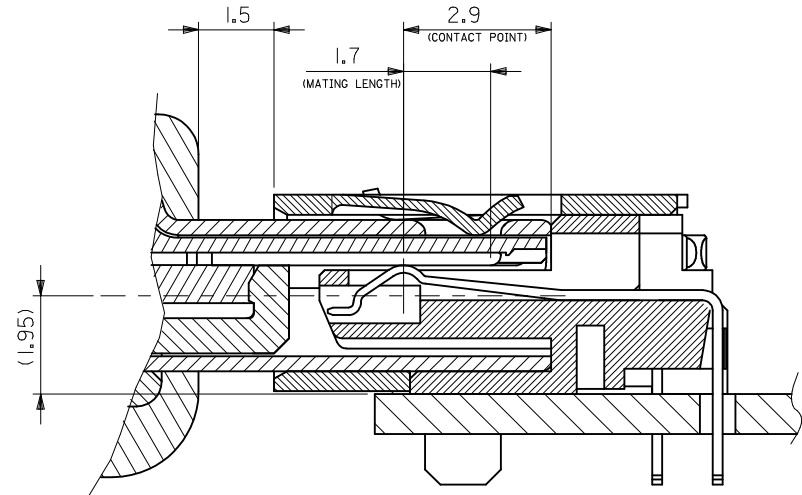
MODEL No.54819-**-11

REVISED EC NO: J2009-1533 DRW: SATO 2009/06/25 CHKD: MATSUMOTO 2009/06/25 APPR: NUKITA 2009/06/25	GENERAL TOLERANCES (UNLESS SPECIFIED)		DIMENSION STYLE MM ONLY	SCALE 10:1	DESIGN UNITS METRIC	THIRD ANGLE PROJECTION
	10 UNDER	±0.2	DRAWN BY K. TAKAHASHI	DATE 2000/05/17	TITLE USB SERIES MINI-B RECEPTACLE ASS'Y	
	10 OVER 30 UNDER	±0.25	CHECKED BY M. SASAO	DATE 2000/05/17	MOLEX INCORPORATED	
	30 OVER	±0.3	APPROVED BY H. IKESUGI	DATE 2000/05/17	DOCUMENT NO. SD-54819-008	SHEET NO. 1 OF 2
REV	DESCRIPTION	ANGULAR ±3 °	SEE TABLE		THIS DRAWING CONTAINS INFORMATION THAT IS PROPRIETARY TO MOLEX INCORPORATED AND SHOULD NOT BE USED WITHOUT WRITTEN PERMISSION	
DRAFT WHERE APPLICABLE MUST REMAIN WITHIN DIMENSIONS						

10 9 8 7 6 5 4 3 2 1



SECTION



MATING

MODEL No.54819-***11

REVISED EC NO: J2009-1533 DRW: NESATO 2009/06/25 CHK'D: MATSUMOTO 2009/06/25 APPR: NUKITA 2009/06/25	GENERAL TOLERANCES (UNLESS SPECIFIED)		DIMENSION STYLE MM ONLY	SCALE 10:1	DESIGN UNITS METRIC	THIRD ANGLE PROJECTION	
	10 UNDER	±0.2	DRAWN BY K. TAKAHASHI	DATE 2000/05/17	TITLE USB SERIES MINI-B RECEPTACLE ASS'Y		
	10 OVER 30 UNDER	±0.25	CHECKED BY M. SASAO	DATE 2000/05/17	MOLEX INCORPORATED		
	30 OVER	±0.3	APPROVED BY H. IKESUGI	DATE 2000/05/17	MATERIAL NO. SEE SHEET 1	DOCUMENT NO. SD-54819-008	SHEET NO. 2 OF 2
	ANGULAR ±3 °	DRAFT WHERE APPLICABLE MUST REMAIN WITHIN DIMENSIONS					
	THIS DRAWING CONTAINS INFORMATION THAT IS PROPRIETARY TO MOLEX INCORPORATED AND SHOULD NOT BE USED WITHOUT WRITTEN PERMISSION						