

PLT-SEC-T3-230-FM-UT - Type 3 surge protection device



2907919

<https://www.phoenixcontact.com/us/products/2907919>

Please be informed that the data shown in this PDF document is generated from our online catalog. Please find the complete data in the user documentation. Our general terms of use for downloads are valid.



Type 2/3 surge protection, consisting of protective plug and base element with screw connection. For single-phase power supply network with integrated status indicator and remote signaling. Nominal voltage: 230 V AC/DC

Your advantages

- Surge protection family for universal use with optimum energy coordination from the lightning current arrester to the device protection
- Easy to maintain due to consistently pluggable protection modules
- Excellent level of information provided by mechanical/visual status indicator and remote indication contact
- Your preferred connection technology can be selected as both screw connection and Push-in connection are available
- Optimal additional protection of the industrial power supply for a longer service life and increased availability of the system
- 5-year warranty on your QUINT 4 power supply when installed together with PLT-SEC, see document in the download area

Commercial data

| | |
|--------------------------------------|--------------------|
| Item number | 2907919 |
| Packing unit | 1 pc |
| Minimum order quantity | 1 pc |
| Sales key | CL19 |
| Product key | CL14A2 |
| Catalog page | Page 83 (C-4-2019) |
| GTIN | 4055626257457 |
| Weight per piece (including packing) | 96.62 g |
| Weight per piece (excluding packing) | 81.16 g |
| Customs tariff number | 85363030 |
| Country of origin | DE |

PLT-SEC-T3-230-FM-UT - Type 3 surge protection device



2907919

<https://www.phoenixcontact.com/us/products/2907919>

Technical data

Product properties

| | |
|--------------------------------|-----------------------------------------|
| IEC power supply system | TT |
| | TN-S |
| Type | DIN rail module, two-section, divisible |
| Product type | Device protection |
| Product family | SEC Family |
| Number of positions | 2 |
| Surge protection fault message | Optical, remote indicator contact |

Insulation characteristics

| | |
|-------------------------|----------|
| Overvoltage category | III |
| Pollution degree | 2 |
| IEC test classification | II / III |
| | T2 / T3 |
| EN type | T2 / T3 |
| Number of ports | One |

Electrical properties

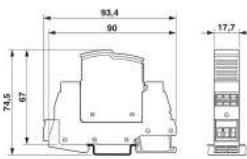
Indicator/remote signaling

| | |
|--------------------|--------------------------------|
| Connection name | Remote fault indicator contact |
| Switching function | Changeover contact |
| Operating voltage | 250 V AC |
| | 125 V DC (200 mA DC) |
| Operating current | 0.5 A AC |
| | 0.5 A DC (75 V DC) |

Connection data

| | |
|----------------------------------|---------------------------------------------|
| Connection method | Screw connection |
| Screw thread | M3 |
| Tightening torque | 0.5 Nm |
| Conductor cross section flexible | 0.2 mm ² ... 2.5 mm ² |
| Conductor cross section rigid | 0.2 mm ² ... 4 mm ² |
| Conductor cross section AWG | 24 ... 12 |

Dimensions

| | |
|---------------------|--------------------------------------------------------------------------------------|
| Dimensional drawing |  |
| Width | 17.7 mm |

PLT-SEC-T3-230-FM-UT - Type 3 surge protection device



2907919

<https://www.phoenixcontact.com/us/products/2907919>

| | |
|------------------|---------------------------------|
| Height | 93.4 mm |
| Depth | 74.5 mm (incl. DIN rail 7.5 mm) |
| Horizontal pitch | 1 Div. |

Material specifications

| | |
|----------------------------------------|-------------------|
| Flammability rating according to UL 94 | V-0 |
| CTI value of material | 600 |
| Insulating material | PA 6.6-FR 20 % GF |
| | PA 6.6-FR |
| Housing material | PA 6.6-FR 20 % GF |
| | PA 6.6-FR |

Protective circuit

| | |
|----------------------------------------------------------|-----------------------------------------|
| Mode of protection | L-N |
| | L-PE |
| | N-PE |
| Direction of action | 1L-N & N-PE |
| Nominal voltage U_N | 240 V AC (TN-S) |
| | 240 V AC (TT) |
| Nominal frequency f_N | 50 Hz (60 Hz) |
| Maximum continuous voltage U_C | 264 V AC |
| Rated load current I_L | 26 A (at 30 °C) |
| Residual current I_{PE} | $\leq 5 \mu\text{A}$ |
| Standby power consumption P_C | $\leq 26.4 \text{ mVA}$ (at U_{REF}) |
| | $\leq 26.4 \text{ mVA}$ (at U_C) |
| Reference test voltage U_{REF} | 264 V AC |
| Nominal discharge current I_n (8/20) μs | 5 kA |
| Maximum discharge current I_{max} (8/20) μs | 10 kA |
| Combination wave U_{OC} | 6 kV |
| Voltage protection level U_p (L-N) | $\leq 1.25 \text{ kV}$ (at U_{OC}) |
| | $\leq 1.4 \text{ kV}$ (at I_n) |
| Voltage protection level U_p (L-PE) | $\leq 1.4 \text{ kV}$ |
| Voltage protection level U_p (N-PE) | $\leq 1.4 \text{ kV}$ |
| TOV behavior at U_T (L-N) | 400 V AC (5 s / withstand mode) |
| | 457 V AC (120 min / safe failure mode) |
| | 457 V AC (5 s / withstand mode) |
| TOV behavior at U_T (L-PE) | 457 V AC (120 min / withstand mode) |
| | 1464 V AC (200 ms / safe failure mode) |
| | 1200 V AC (200 ms / safe failure mode) |
| TOV behavior at U_T (N-PE) | 1200 V AC (200 ms / safe failure mode) |
| Response time t_A (L-N) | $\leq 25 \text{ ns}$ |
| Response time t_A (L-PE) | $\leq 100 \text{ ns}$ |
| Response time t_A (N-PE) | $\leq 100 \text{ ns}$ |
| Short-circuit current rating I_{SCCR} | 10 kA AC |
| Max. backup fuse with branch wiring | 32 A (gG / B / C) |

PLT-SEC-T3-230-FM-UT - Type 3 surge protection device



2907919

<https://www.phoenixcontact.com/us/products/2907919>

Additional technical data

| | |
|-----------------------------------------------------------------|---------------------------------------------------------------------|
| Short-circuit current rating I_{SCCR} | 0.25 kA DC (Without additional backup fuse in the DC branch wiring) |
| | 5 kA DC (for 20 A gG / B backup fuse) |
| Residual voltage U_{res} (L-N) | ≤ 1.15 kV (at 2 kA) |
| | ≤ 1.25 kV (at 3 kA) |
| | ≤ 1.1 kV (at $U_{OC} = 4$ kV) |
| Residual voltage U_{res} (L-PE) | ≤ 1.1 kV (at 2 kA) |
| | ≤ 1.1 kV (at 3 kA) |
| | ≤ 1.2 kV (at $U_{OC} = 4$ kV) |
| Residual voltage U_{res} (N-PE) | ≤ 1.1 kV (at 2 kA) |
| | ≤ 1.1 kV (at 3 kA) |
| | ≤ 1.2 kV (at $U_{OC} = 4$ kV) |
| Maximum continuous voltage U_C | 275 V AC |
| | 240 V DC |
| Mode of protection | (DC+) - (DC-) |
| | (DC+/DC-) - PE |
| IEC test classification (in accordance with IEC 61643-21) | D1 |
| Impulse durability (wire-wire) | D1 - 500 A |
| Impulse durability (line-earth) | D1 - 500 A |
| Pulse discharge current I_{imp} (10/350) μ s (line-line) | 0.5 kA |
| Pulse discharge current I_{imp} (10/350) μ s (line-earth) | 0.5 kA |

Environmental and real-life conditions

Ambient conditions

| | |
|-----------------------------------------|---------------------------------------------------------------|
| Degree of protection | IP20 |
| Ambient temperature (operation) | -40 °C ... 80 °C |
| Ambient temperature (storage/transport) | -40 °C ... 80 °C |
| Altitude | ≤ 2000 m (operating voltage remote contact ≤ 250 V) |
| | ≤ 6000 m (operating voltage remote contact ≤ 150 V) |
| Permissible humidity (operation) | 5 % ... 95 % |
| Shock (operation) | 30g (Half-sine / 11 ms / 3x \pm X, \pm Y, \pm Z) |
| Vibration (operation) | 5g (5 ... 500 Hz / 2.5 h / X, Y, Z) |

Approvals

UL specifications

| | |
|-------------------------------------------|---------------|
| Maximum continuous operating voltage MCOV | 264 V AC |
| | 240 V DC |
| Nominal discharge current I_n | 5 kA |
| Mode of protection | L-N |
| | L-G |
| | N-G |
| | (DC+) - (DC-) |

PLT-SEC-T3-230-FM-UT - Type 3 surge protection device



2907919

<https://www.phoenixcontact.com/us/products/2907919>

| | |
|-------------------------------------|--------------|
| | (DC+) - G |
| | (DC-) - G |
| Nominal voltage | 240 V DC |
| Rated load current I_L | 20 A |
| Power distribution system | Single phase |
| | DC |
| Nominal frequency | 50/60 Hz |
| Measured limiting voltage MLV (L-N) | 1150 V |
| Measured limiting voltage MLV (L-G) | 1180 V |
| Measured limiting voltage MLV (N-G) | 1180 V |
| SPD Type | 4CA |

UL indicator/remote signaling

| | |
|----------------------|------------------|
| Operating voltage | 250 V AC (0.5 A) |
| DC operating voltage | 12 V DC (4 A) |
| | 24 V DC (2 A) |
| | 48 V DC (1 A) |

UL connection data

| | |
|-----------------------------|--------------------------|
| Tightening torque | 4.4 lb _f -in. |
| Conductor cross section AWG | 16 ... 12 |

Standards and regulations

| | |
|--------------------------|--------------|
| Standards/specifications | IEC 61643-11 |
| Note | 2011 |

EN 61643-11

| | |
|--------------------------|-------------|
| Standards/specifications | EN 61643-11 |
| Note | 2012 |

Mounting

| | |
|---------------|-----------------|
| Mounting type | DIN rail: 35 mm |
|---------------|-----------------|

PLT-SEC-T3-230-FM-UT - Type 3 surge protection device

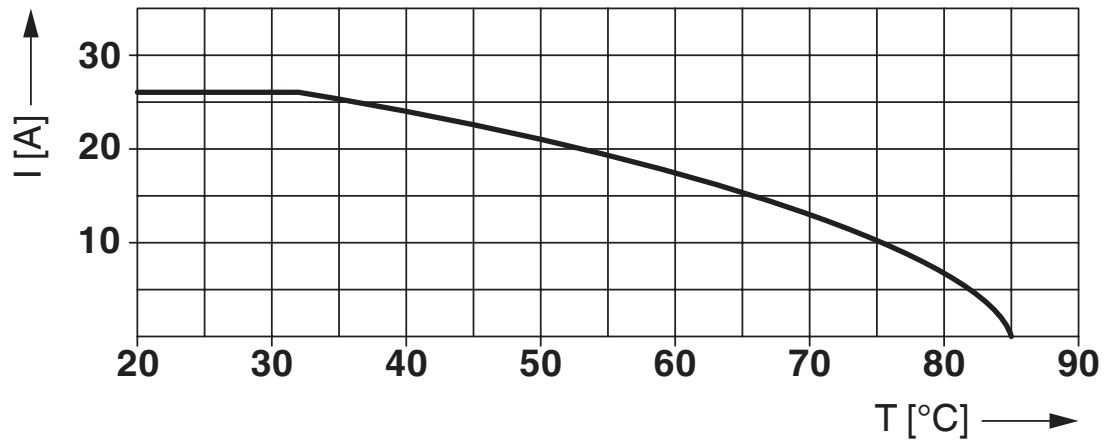


2907919

<https://www.phoenixcontact.com/us/products/2907919>

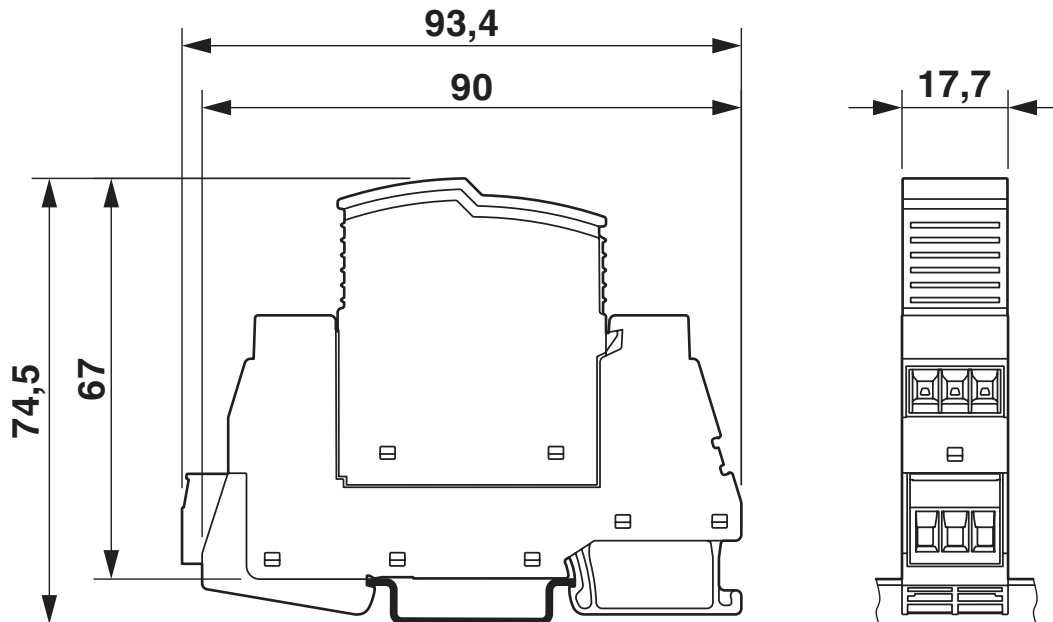
Drawings

Diagram



Nominal current depending on ambient temperature

Dimensional drawing

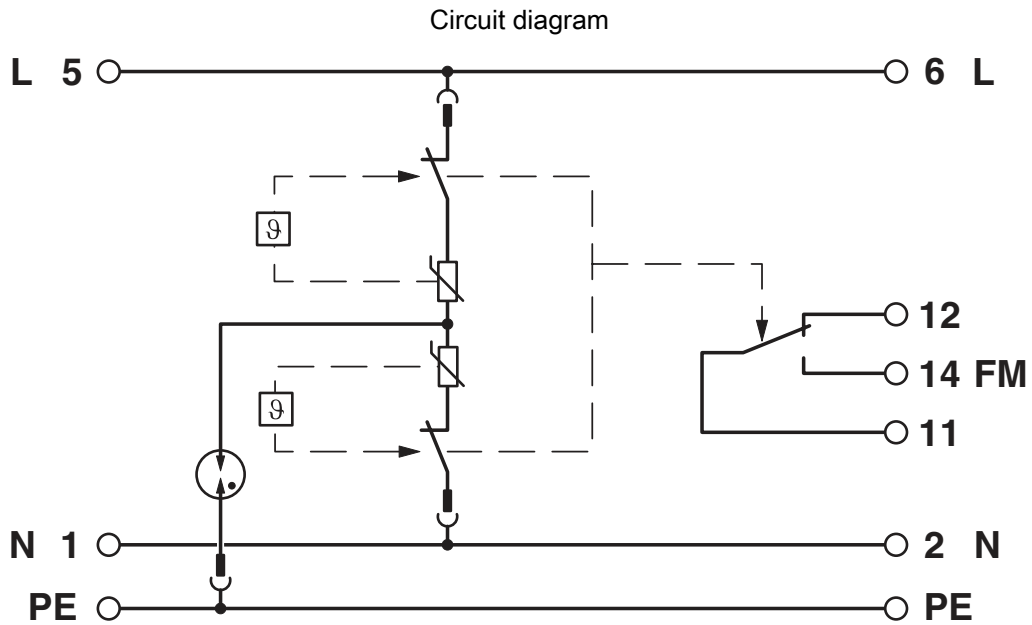


PLT-SEC-T3-230-FM-UT - Type 3 surge protection device



2907919

<https://www.phoenixcontact.com/us/products/2907919>



PLT-SEC-T3-230-FM-UT - Type 3 surge protection device



2907919

<https://www.phoenixcontact.com/us/products/2907919>

Approvals

To download certificates, visit the product detail page: <https://www.phoenixcontact.com/us/products/2907919>



cUL Recognized
Approval ID: FILE E 330181



UL Recognized
Approval ID: FILE E 330181



IECEE CB Scheme
Approval ID: NL-51083



EAC
Approval ID: RU C-DE.*09.B.00169

CCA

Approval ID: NTR-NL 7676



KEMA-KEUR
Approval ID: 71-103027



DNV GL
Approval ID: TAE00002U7



CSA
Approval ID: 13631

UAE-RoHS

Approval ID: 22-09-50640



cUL Recognized
Approval ID: FILE E 340736



UL Recognized
Approval ID: FILE E 340736

PLT-SEC-T3-230-FM-UT - Type 3 surge protection device



2907919

<https://www.phoenixcontact.com/us/products/2907919>

cULus Recognized

cULus Recognized

PLT-SEC-T3-230-FM-UT - Type 3 surge protection device



2907919

<https://www.phoenixcontact.com/us/products/2907919>

Classifications

ECLASS

| | |
|-------------|----------|
| ECLASS-11.0 | 27130806 |
| ECLASS-13.0 | 27171203 |

ETIM

| | |
|----------|----------|
| ETIM 8.0 | EC000942 |
|----------|----------|

UNSPSC

| | |
|-------------|----------|
| UNSPSC 21.0 | 39121600 |
|-------------|----------|

PLT-SEC-T3-230-FM-UT - Type 3 surge protection device



2907919

<https://www.phoenixcontact.com/us/products/2907919>

Environmental product compliance

| | |
|------------|---------------------------------------------------------|
| China RoHS | Environmentally friendly use period: unlimited = EFUP-e |
| | No hazardous substances above threshold values |

PLT-SEC-T3-230-FM-UT - Type 3 surge protection device



2907919

<https://www.phoenixcontact.com/us/products/2907919>

Accessories

CLIPFIX 35 - End clamp

3022218

<https://www.phoenixcontact.com/us/products/3022218>



Quick mounting end clamp for NS 35/7,5 DIN rail or NS 35/15 DIN rail, with marking option, width: 9.5 mm, color: gray

X-PEN 0,35 - Marker pen

0811228

<https://www.phoenixcontact.com/us/products/0811228>



Marker pen without ink cartridge, for manual labeling of markers, labeling extremely wipe-proof, line thickness 0.35 mm

PLT-SEC-T3-230-FM-UT - Type 3 surge protection device



2907919

<https://www.phoenixcontact.com/us/products/2907919>

EML (20XE)R - Label

0803452

<https://www.phoenixcontact.com/us/products/0803452>



Label, Roll, white, unlabeled, can be labeled with: THERMOMARK E.300 (D)/600 (D), THERMOMARK ROLL 2.0, THERMOMARK ROLL, THERMOMARK ROLL X1, THERMOMARK ROLLMASTER 300/600, THERMOMARK X1.2, mounting type: adhesive, lettering field size: continuous x 20 mm

EML (20XE)R YE - Label

0803453

<https://www.phoenixcontact.com/us/products/0803453>



Label, Roll, yellow, unlabeled, can be labeled with: THERMOMARK E.300 (D)/600 (D), THERMOMARK ROLL 2.0, THERMOMARK ROLL, THERMOMARK ROLL X1, THERMOMARK ROLLMASTER 300/600, THERMOMARK X1.2, mounting type: adhesive, lettering field size: continuous x 20 mm

PLT-SEC-T3-230-FM-UT - Type 3 surge protection device



2907919

<https://www.phoenixcontact.com/us/products/2907919>

PLT-SEC-T3-230-P-UT/PT - Type 3 surge protection plug

2907923

<https://www.phoenixcontact.com/us/products/2907923>



Replacement plug for type 2/3 surge protection from the PLT-SEC-...-UT/PT product series. Nominal voltage 230 V.

PLT-SEC-T3-BE-FM-UT - Type 3 surge protection base element

2907924

<https://www.phoenixcontact.com/us/products/2907924>



Base element for protective plugs from the PLT-SEC-...-UT/PT product series with remote indication contact.

Phoenix Contact 2023 © - all rights reserved
<https://www.phoenixcontact.com>

Phoenix Contact USA
586 Fulling Mill Road
Middletown, PA 17057, United States
(+717) 944-1300
info@phoenixcon.com