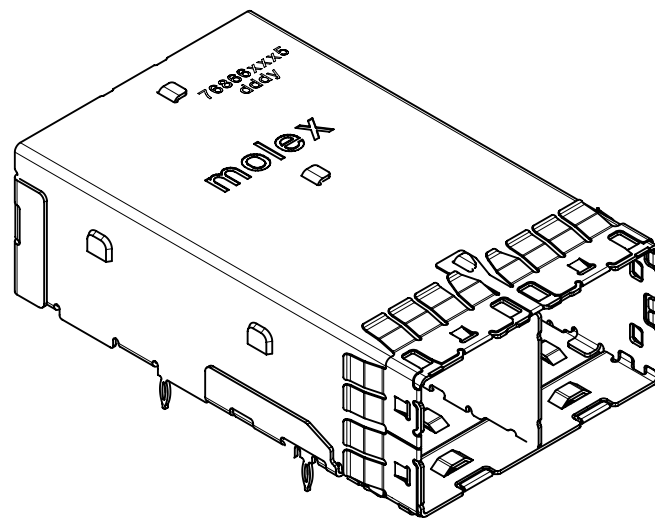
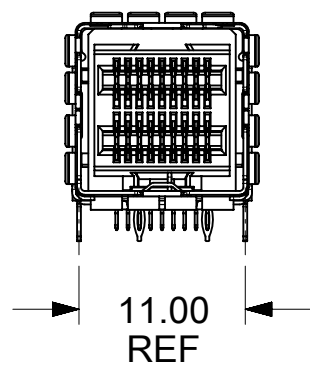
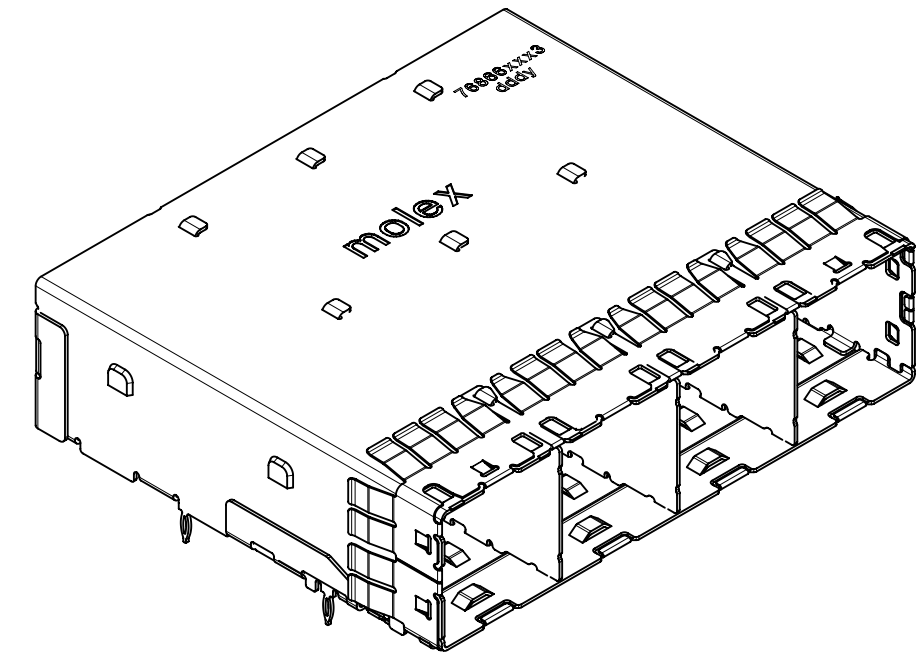
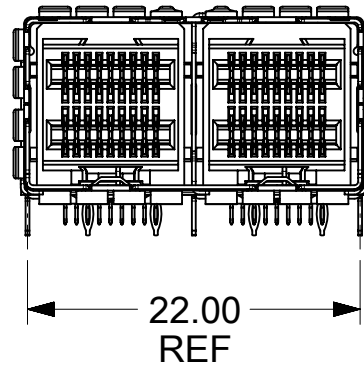


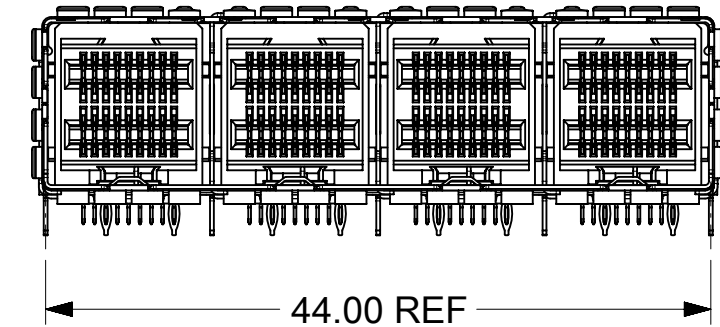
1X1



1X2



1X4



NOTES:

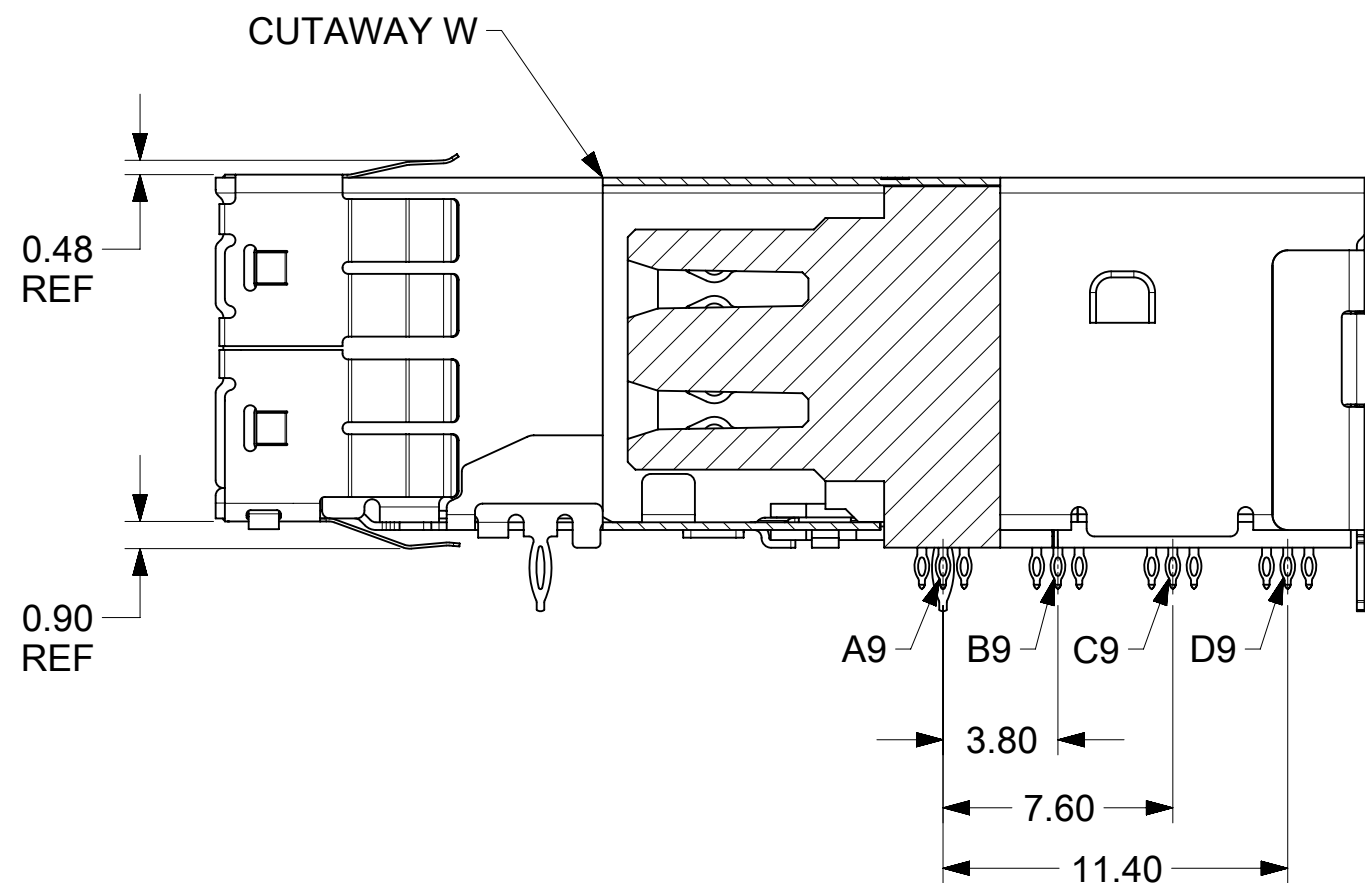
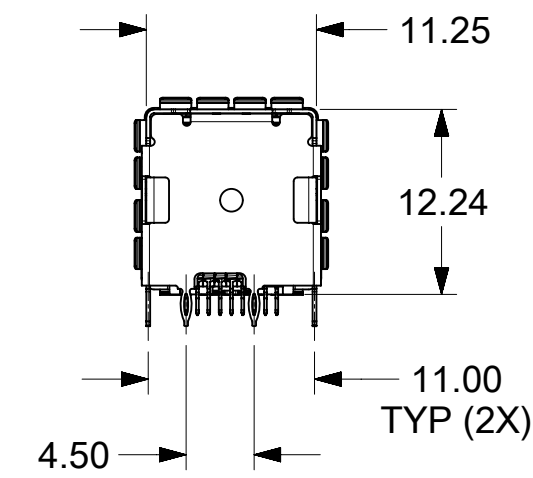
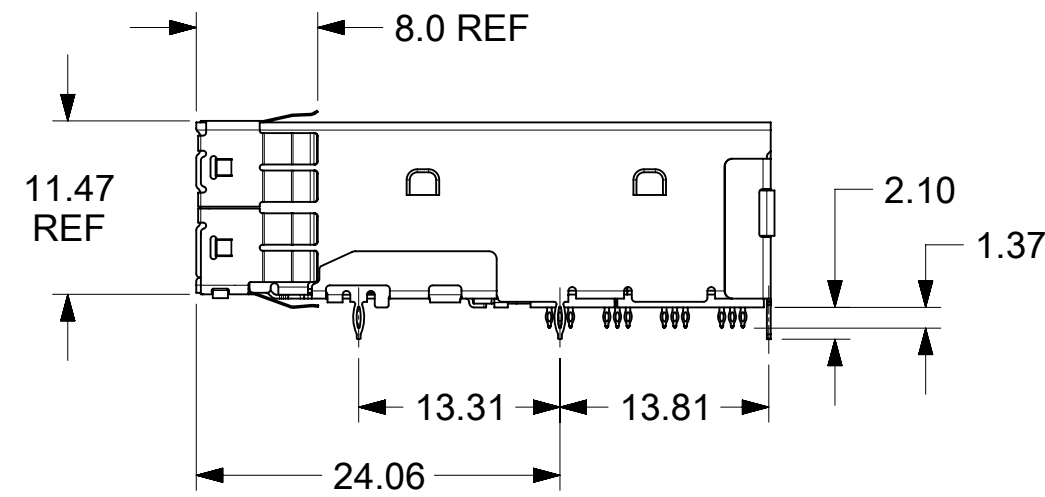
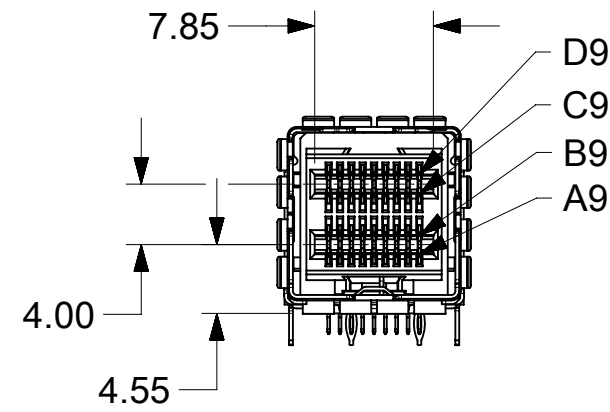
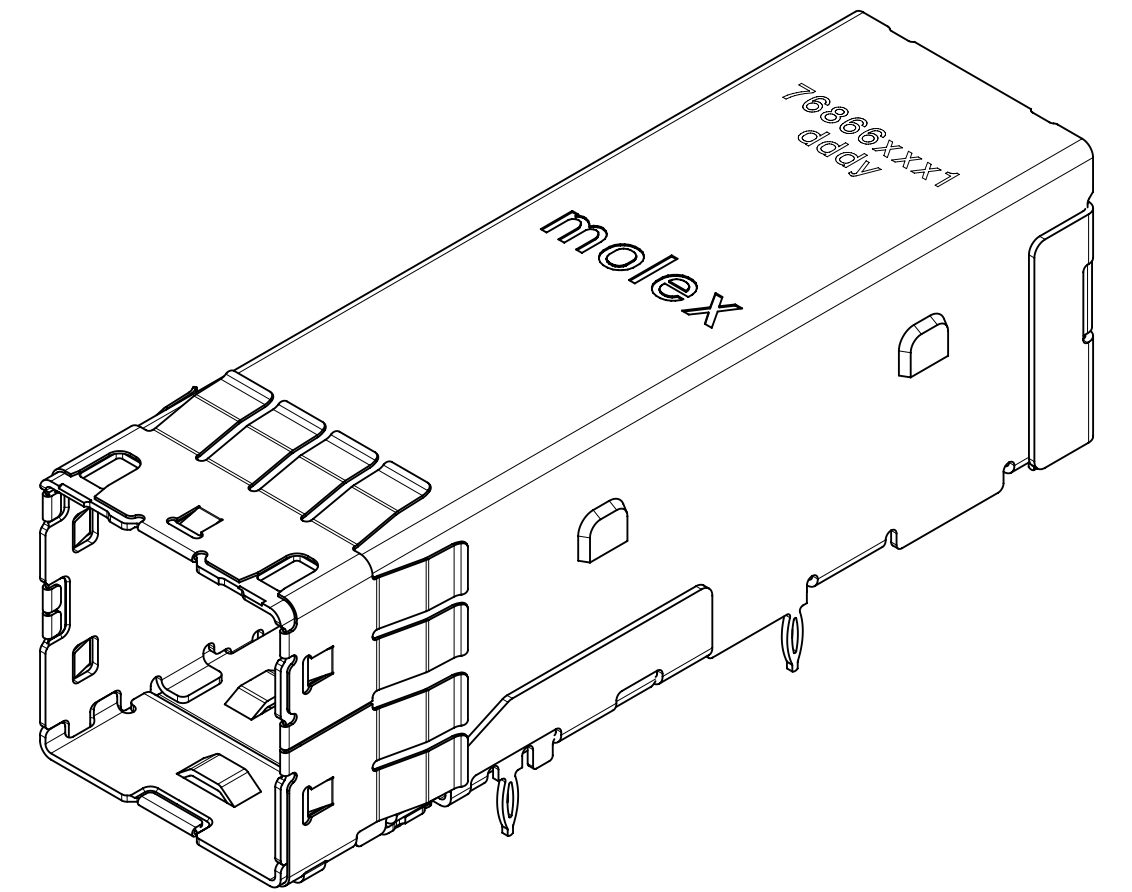
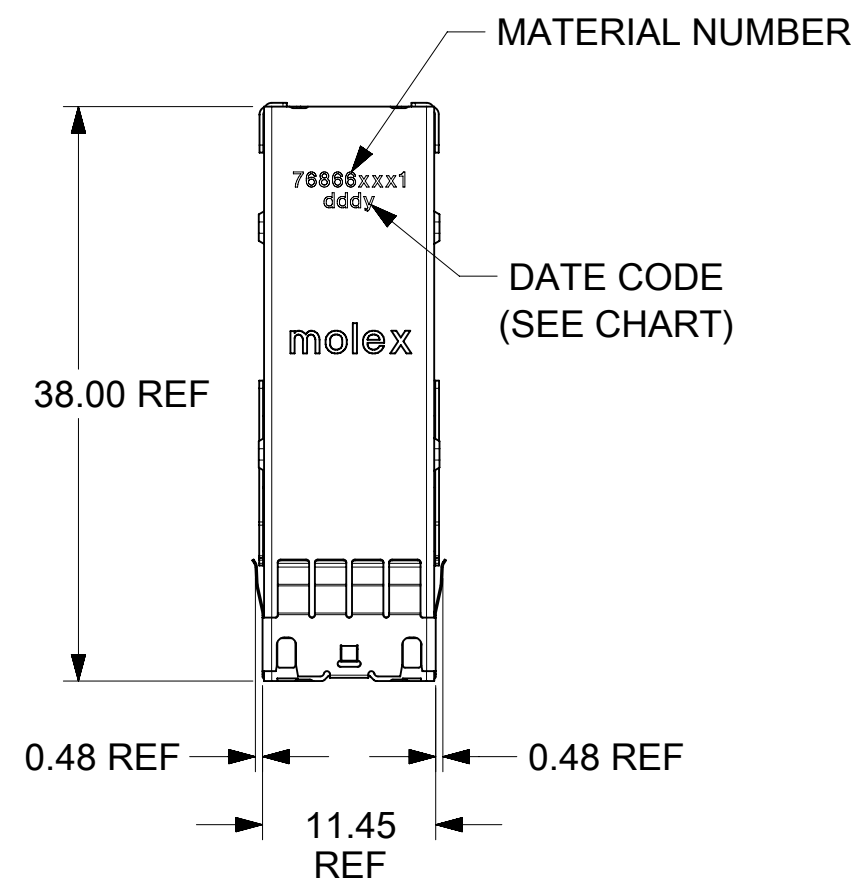
1. MATERIALS:  
 CONNECTOR HOUSING: HIGH TEMPERATURE THERMOPLASTIC  
 GLASS FILLED, UL 94V-0  
 EMI CAGE: NICKEL SILVER ALLOY  
 EMI CAGE BASE: STAINLESS STEEL  
 EMI FINGERS: COPPER ALLOY  
 TERMINALS: COPPER ALLOY
2. FINISHES:  
 EMI FINGERS: 0.50µM MIN NICKEL  
 CONTACT AREA: 0.76µM MIN GOLD OVER 3.81µM MIN NICKEL  
 TAIL AREA: 0.76µM-1.52µM TIN OVER 1.27µM MIN NICKEL
3. PRODUCT SPECIFICATION: PS-76866-001
4. PACKAGING SPECIFICATION: PK-76866-001
5. MATES WITH: MOLEX CABLE SERIES 111075 and 111077
6. RECOMMENDED MOUNTING HARDWARE: REFER TO APPLICATION SPECIFICATION AS-76866-001
7. THIS PART CONFORMS TO CLASS C REQUIREMENTS OF MOLEX COSMETIC SPECIFICATION PS-45499-002
8. PLUG MODULE PCB LAYOUT REFER TO SD-76866-9900

CONFIGURATION	MATERIAL NO.
1 X 1	76866-1211
1 X 2	76866-1215
1 X 4	76866-1213

THIS DRAWING CONTAINS INFORMATION THAT IS PROPRIETARY TO MOLEX ELECTRONIC TECHNOLOGIES, LLC AND SHOULD NOT BE USED WITHOUT WRITTEN PERMISSION

DIMENSION UNITS	SCALE	CURRENT REV DESC:		<b>molex</b>
MM	2:1			
GENERAL TOLERANCES (UNLESS SPECIFIED)				
	MM	INCH		
4 PLACES	±	±	EC NO: 611291	IPASS PLUS HD - 12G EXTERNAL EXTENDED SNOOT
3 PLACES	±	±	DRWN: GSHARMA 2019/01/04	
2 PLACES	±	0.13	±	
1 PLACE	±	0.25	±	APPR: JKACHLIC 2019/07/18
0 PLACES	±	±	±	INITIAL REVISION:
ANGULAR TOL	±	0.5 °		DRWN: KLANG 2012/02/10
DRAFT WHERE APPLICABLE MUST REMAIN WITHIN DIMENSIONS		THIRD ANGLE PROJECTION		APPR: MBANAKIS 2013/08/01
		DRAWING	SERIES	DOCUMENT NUMBER
		C-SIZE	76866	SD-76866-1002
		MATERIAL NUMBER		CUSTOMER
		SEE CHART		GENERAL MARKET
		SHEET NUMBER		1 OF 12

DOCUMENT STATUS	P1	RELEASE DATE	2019/07/18	04:55:15
-----------------	----	--------------	------------	----------



# 1X1 ASSEMBLY

MEXICO	DDDY
CHINA	MSHDDDY
MANUFACTURING LOCATION	DATE CODE

THIS DRAWING CONTAINS INFORMATION THAT IS PROPRIETARY TO MOLEX ELECTRONIC TECHNOLOGIES, LLC AND SHOULD NOT BE USED WITHOUT WRITTEN PERMISSION

DIMENSION UNITS	SCALE	CURRENT REV DESC:	
MM	2:1		
GENERAL TOLERANCES (UNLESS SPECIFIED)		EC NO: 611291	
4 PLACES	±	DRWN: GSHARMA	2019/01/04
3 PLACES	±	CHK'D: JKACHLIC	2019/07/18
2 PLACES	± 0.13	APPR: JKACHLIC	2019/07/18
1 PLACE	± 0.25	INITIAL REVISION:	
0 PLACES	±	DRWN: KLANG	2012/02/10
ANGULAR TOL	± 0.5 °	APPR: MBANAKIS	2013/08/01
DRAFT WHERE APPLICABLE MUST REMAIN WITHIN DIMENSIONS	THIRD ANGLE PROJECTION	DRAWING	SERIES
		C-SIZE	76866

**molex**

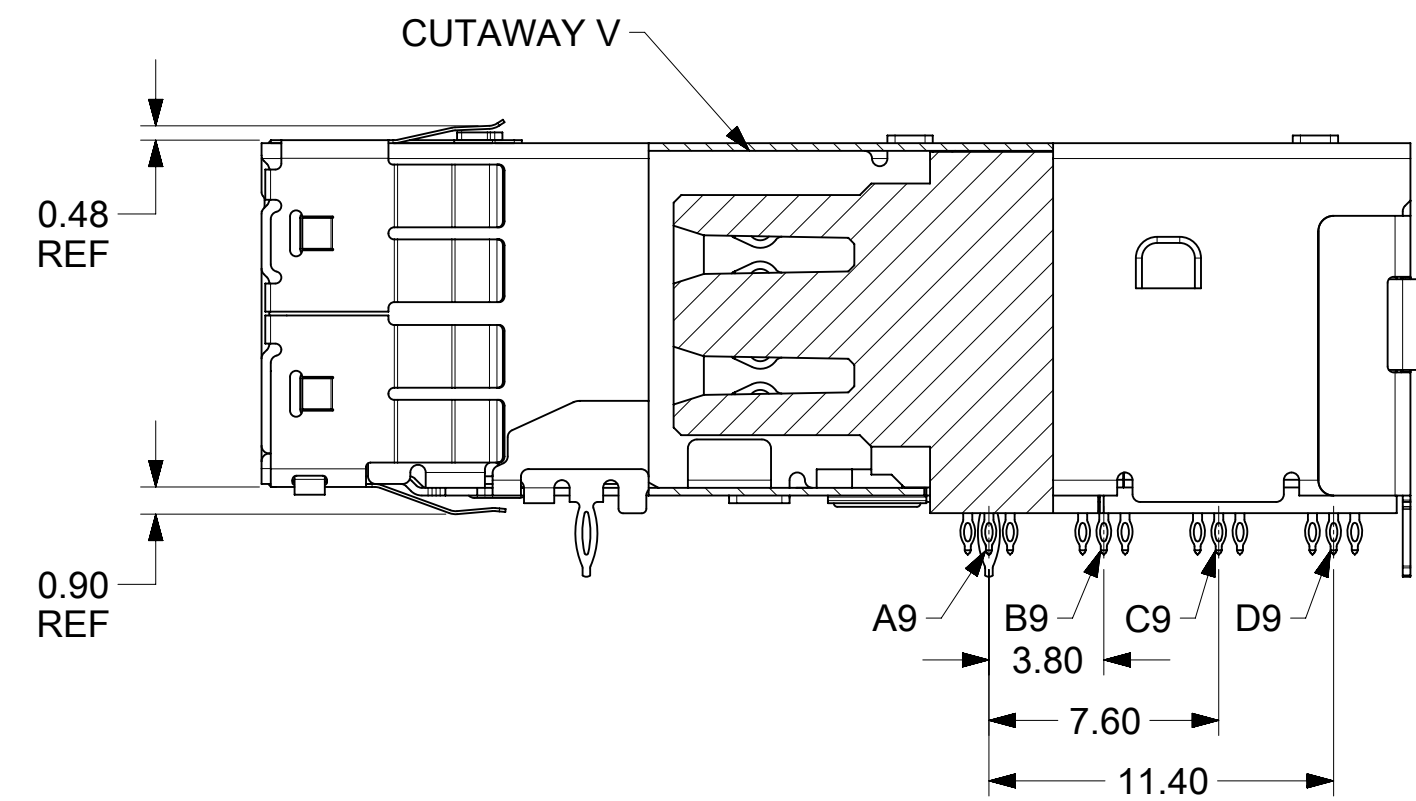
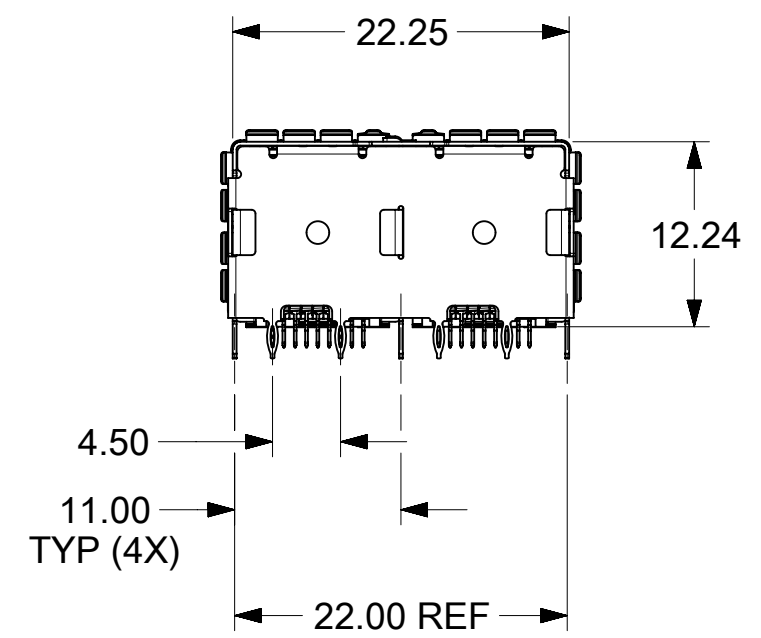
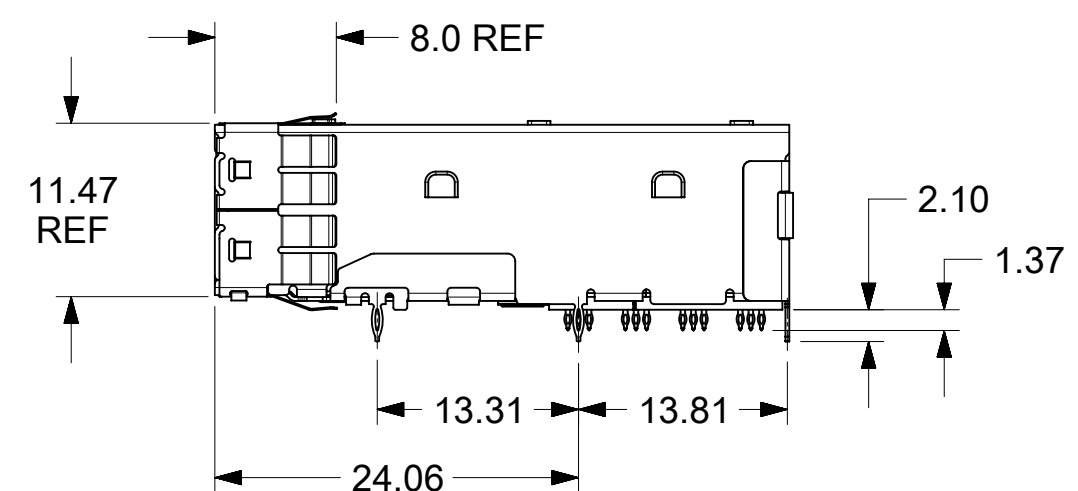
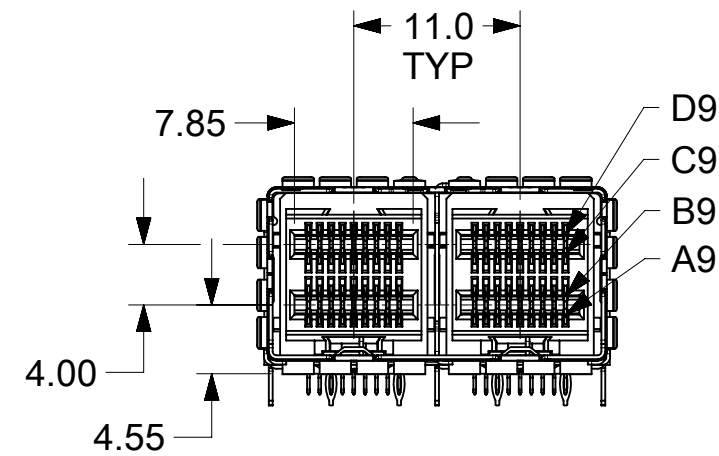
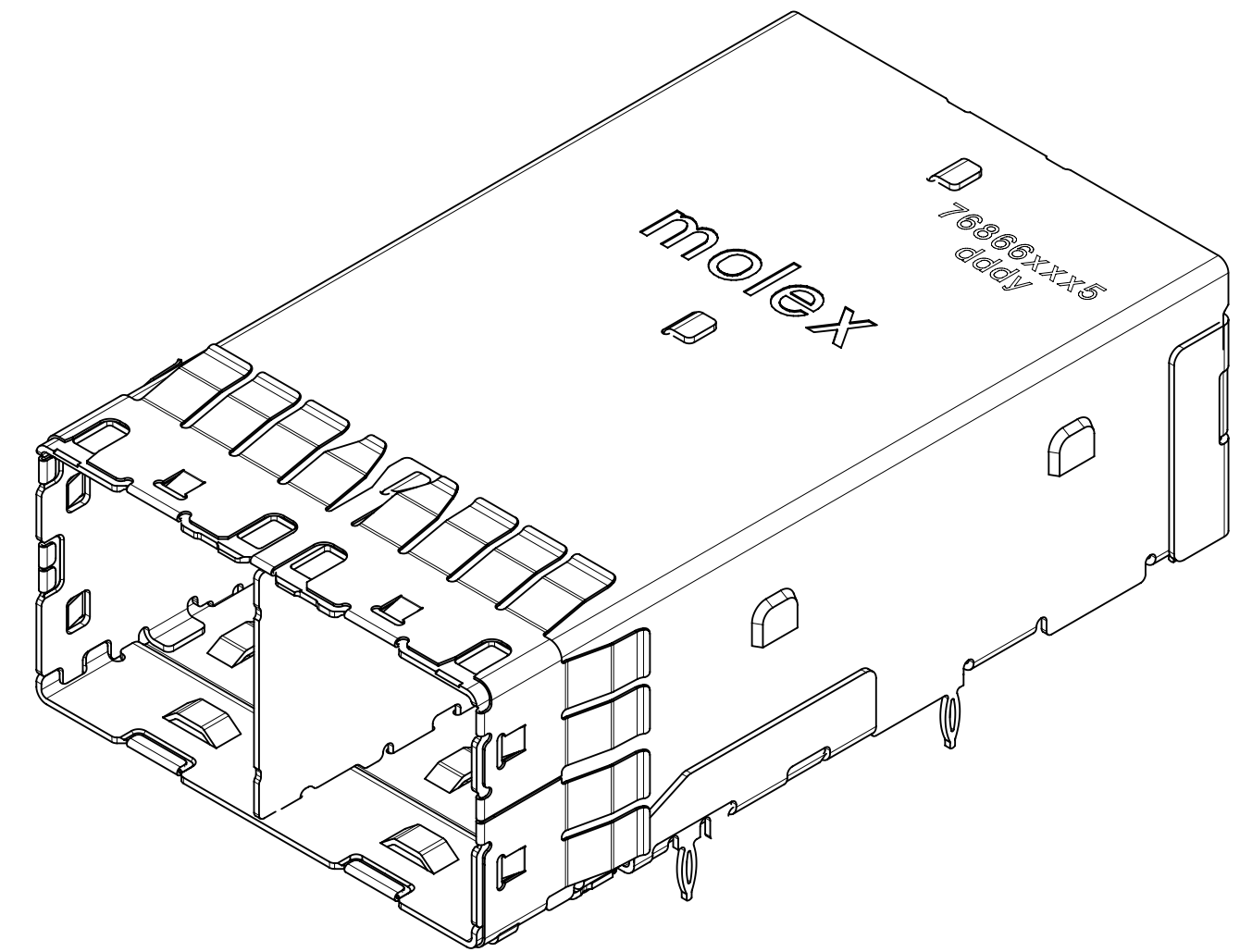
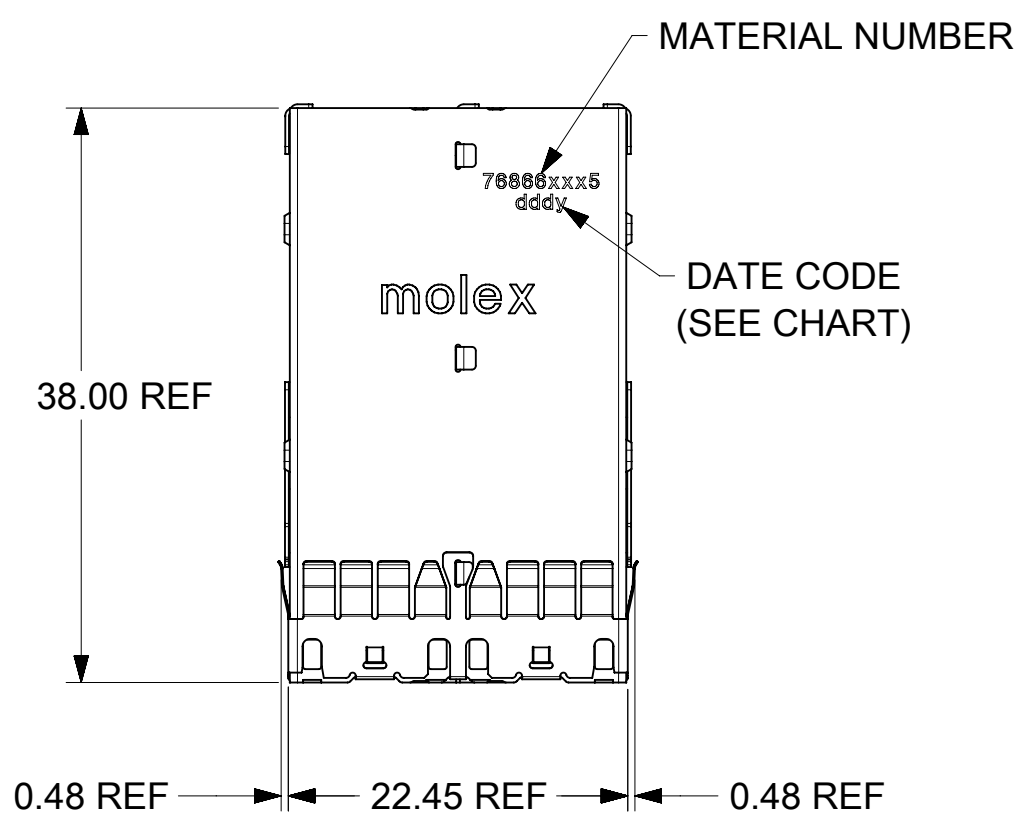
IPASS PLUS HD - 12G  
EXTERNAL EXTENDED SNOOT

PRODUCT CUSTOMER DRAWING

DOCUMENT NUMBER	DOC TYPE	DOC PART	REVISION
SD-76866-1002	PSD	001	C1

MATERIAL NUMBER	CUSTOMER	SHEET NUMBER
SEE CHART	GENERAL MARKET	2 OF 12

DOCUMENT STATUS	P1	RELEASE DATE	2019/07/18 04:55:15
-----------------	----	--------------	---------------------

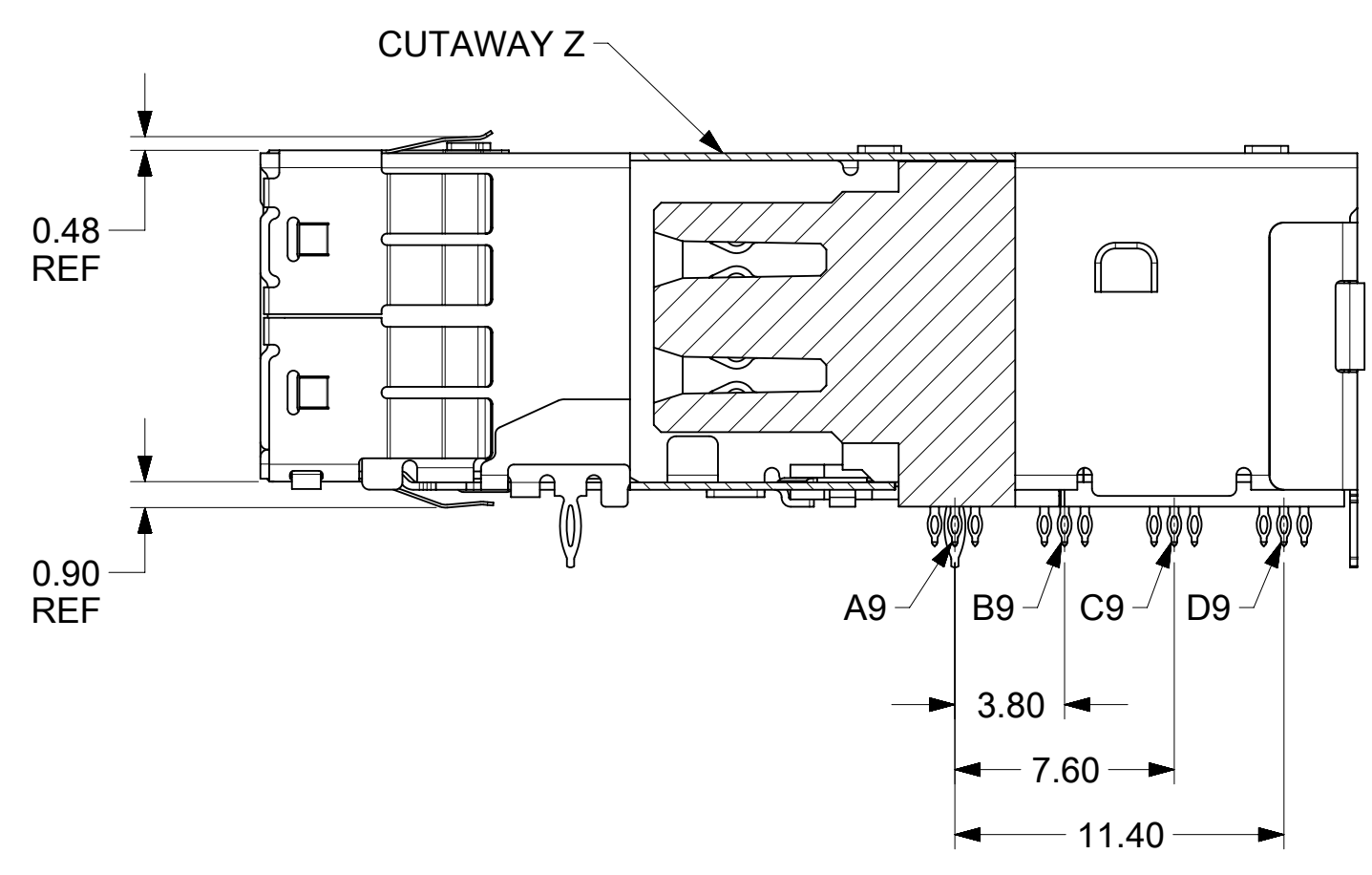
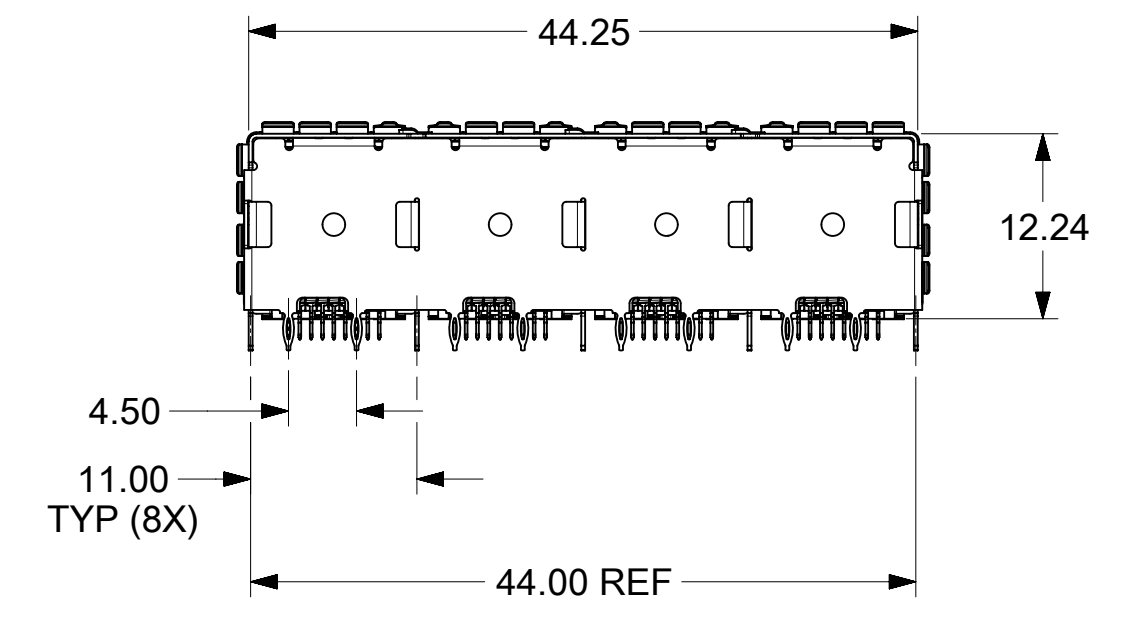
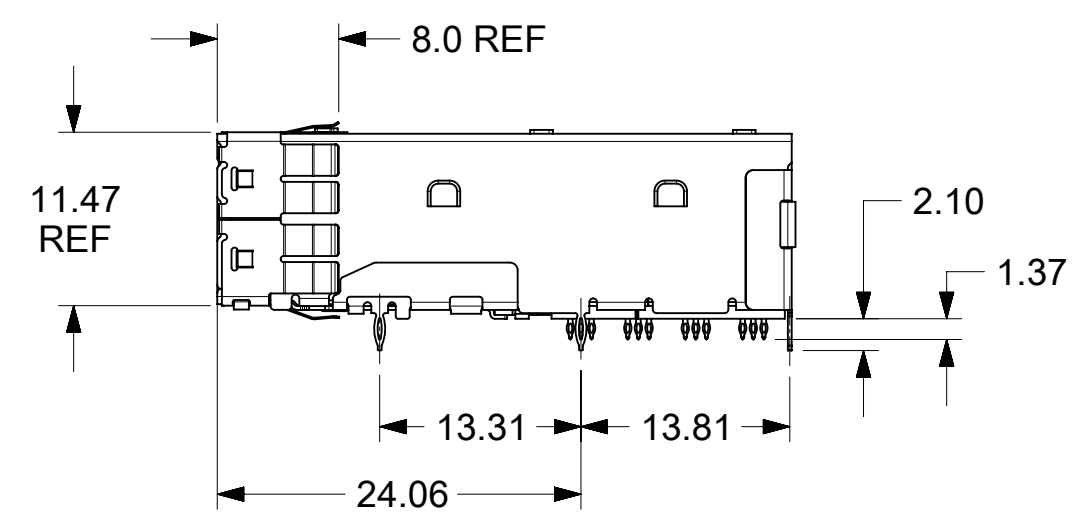
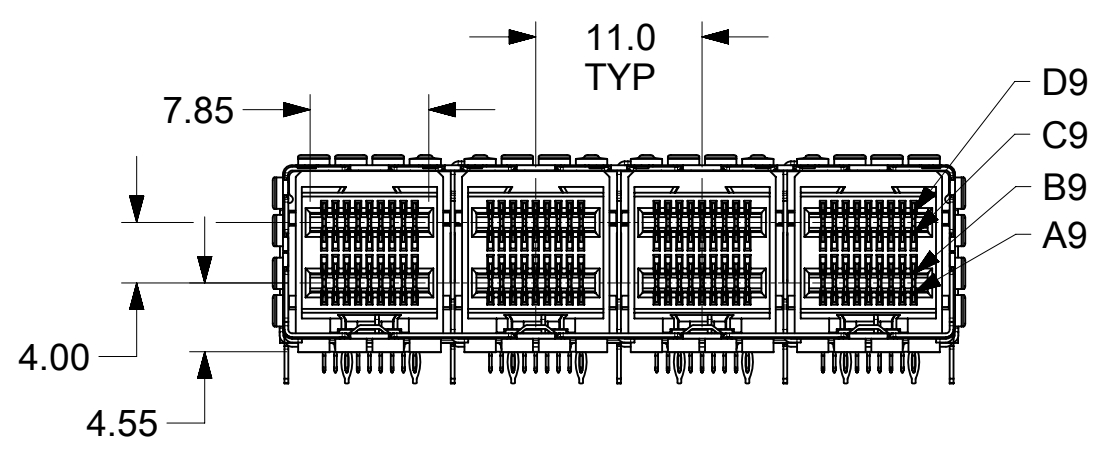
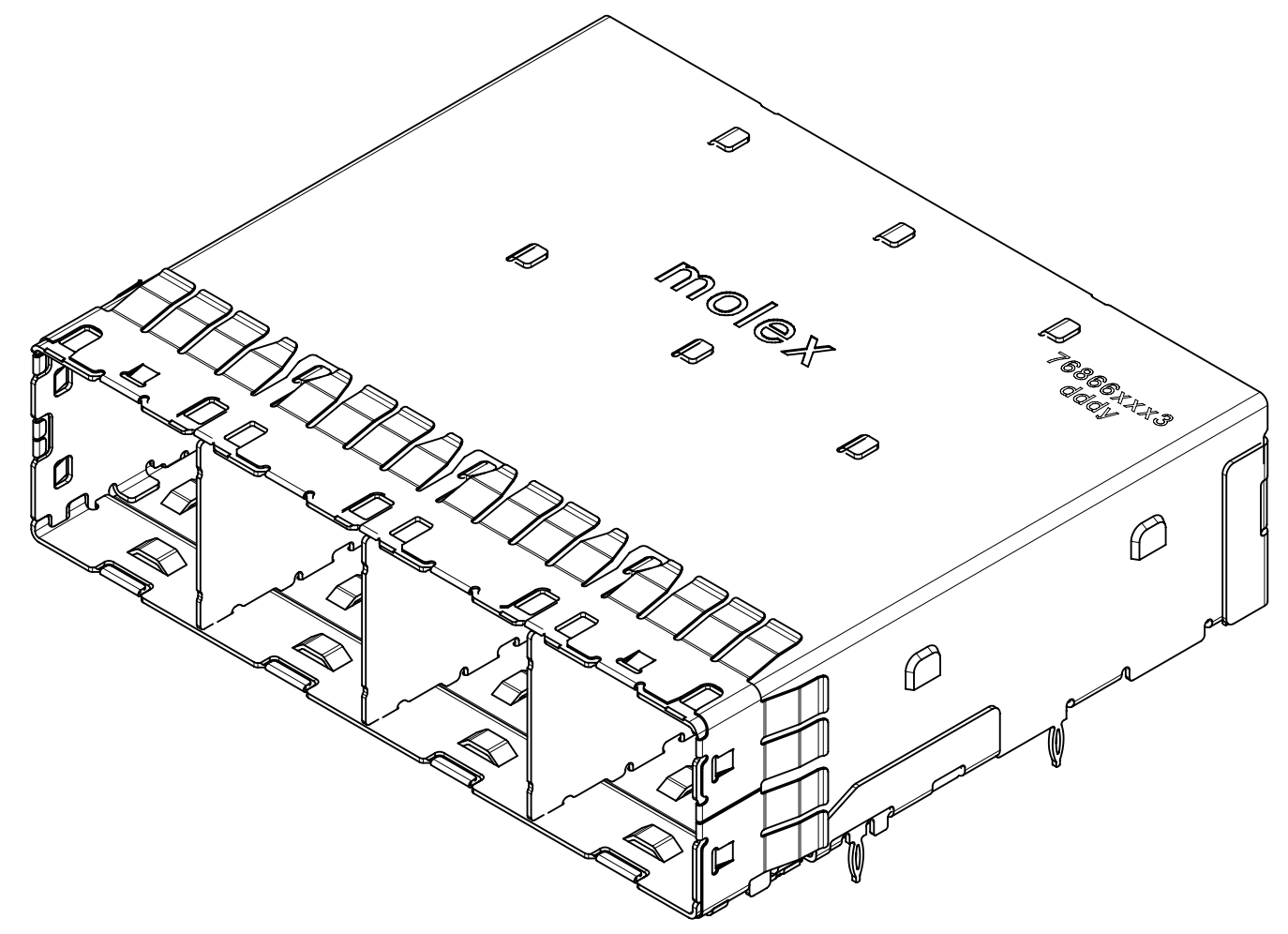
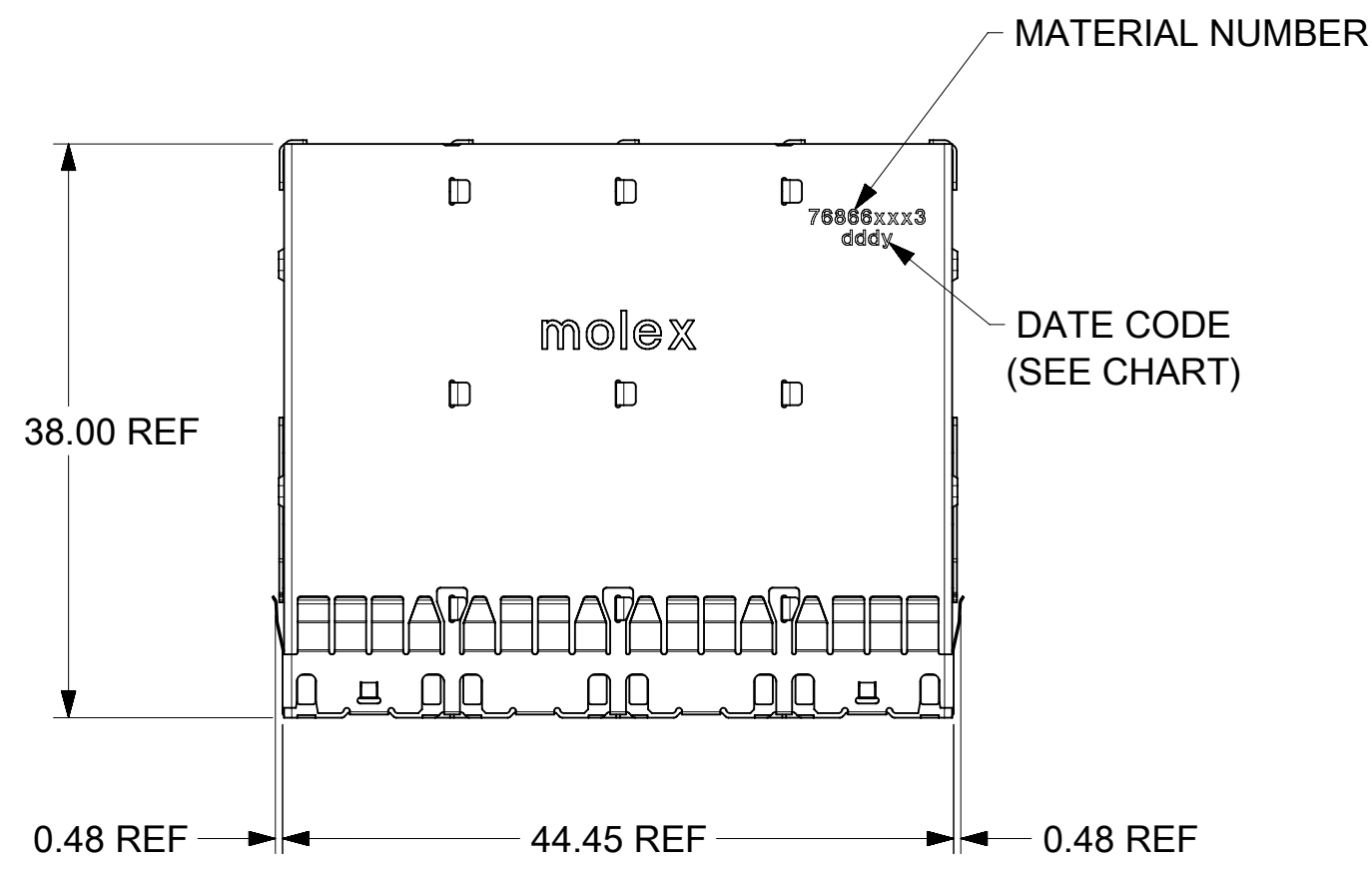


# 1X2 ASSEMBLY

MEXICO	DDDY
CHINA	MSHDDDY
MANUFACTURING LOCATION	DATE CODE

THIS DRAWING CONTAINS INFORMATION THAT IS PROPRIETARY TO MOLEX ELECTRONIC TECHNOLOGIES, LLC AND SHOULD NOT BE USED WITHOUT WRITTEN PERMISSION									
DIMENSION UNITS		SCALE		CURRENT REV DESC:					
MM		2:1							
GENERAL TOLERANCES (UNLESS SPECIFIED)				EC NO: 611291					
4 PLACES		±		DRWN: GSHARMA		2019/01/04			
3 PLACES		±		CHK'D: JKACHLIC		2019/07/18			
2 PLACES		± 0.13		APPR: JKACHLIC		2019/07/18			
1 PLACE		± 0.25		INITIAL REVISION:					
0 PLACES		±		DRWN: KLANG		2012/02/10			
ANGULAR TOL		± 0.5 °		APPR: MBANAKIS		2013/08/01			
DRAFT WHERE APPLICABLE MUST REMAIN WITHIN DIMENSIONS				THIRD ANGLE PROJECTION		DRAWING		SERIES	
				C-SIZE		76866			
DOCUMENT NUMBER		DOC TYPE		DOC PART		REVISION			
SD-76866-1002		PSD		001		C1			
MATERIAL NUMBER		CUSTOMER		SHEET NUMBER					
SEE CHART		GENERAL MARKET		3 OF 12					

DOCUMENT STATUS	P1	RELEASE DATE	2019/07/18	04:55:15
-----------------	----	--------------	------------	----------



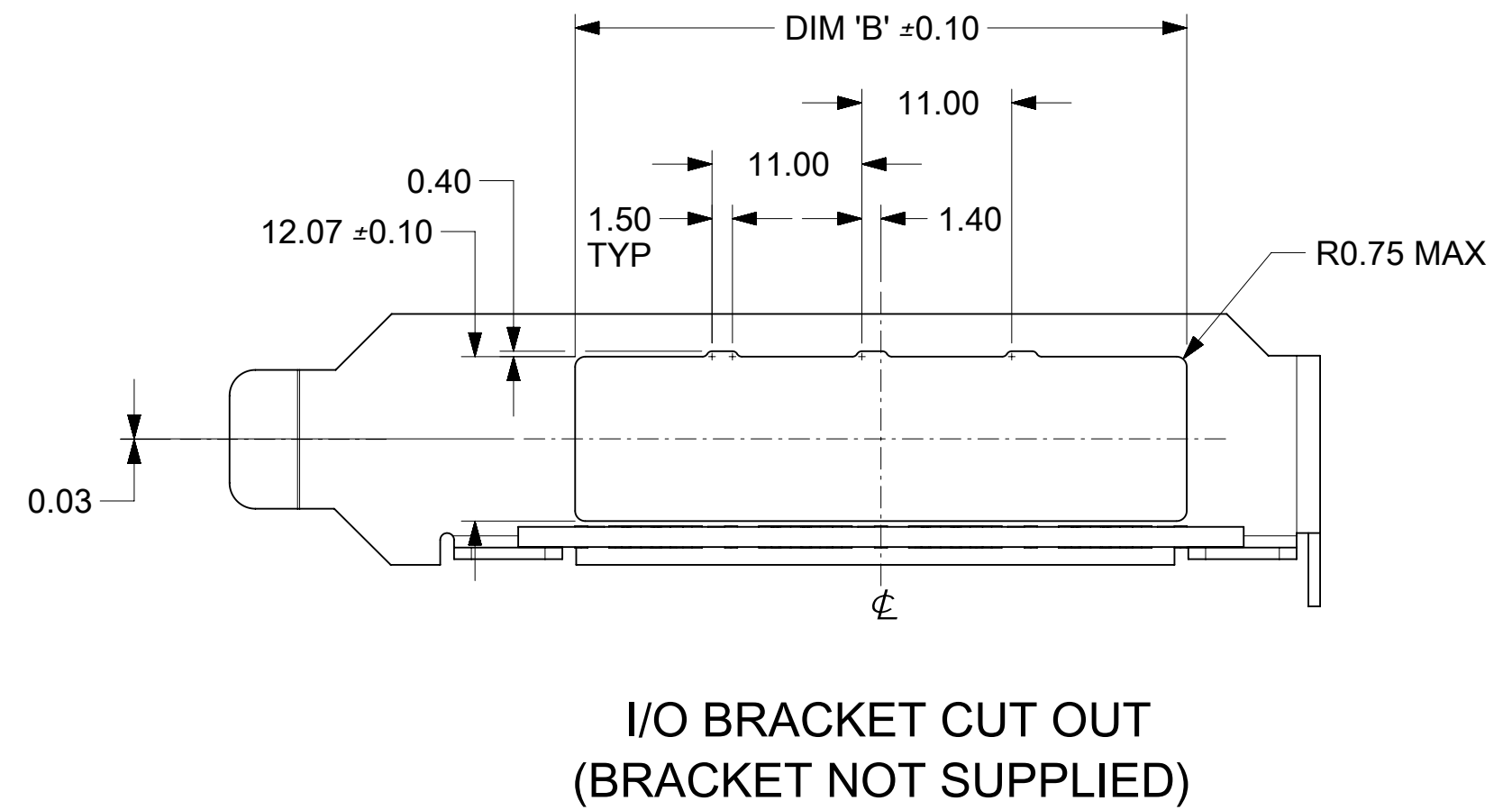
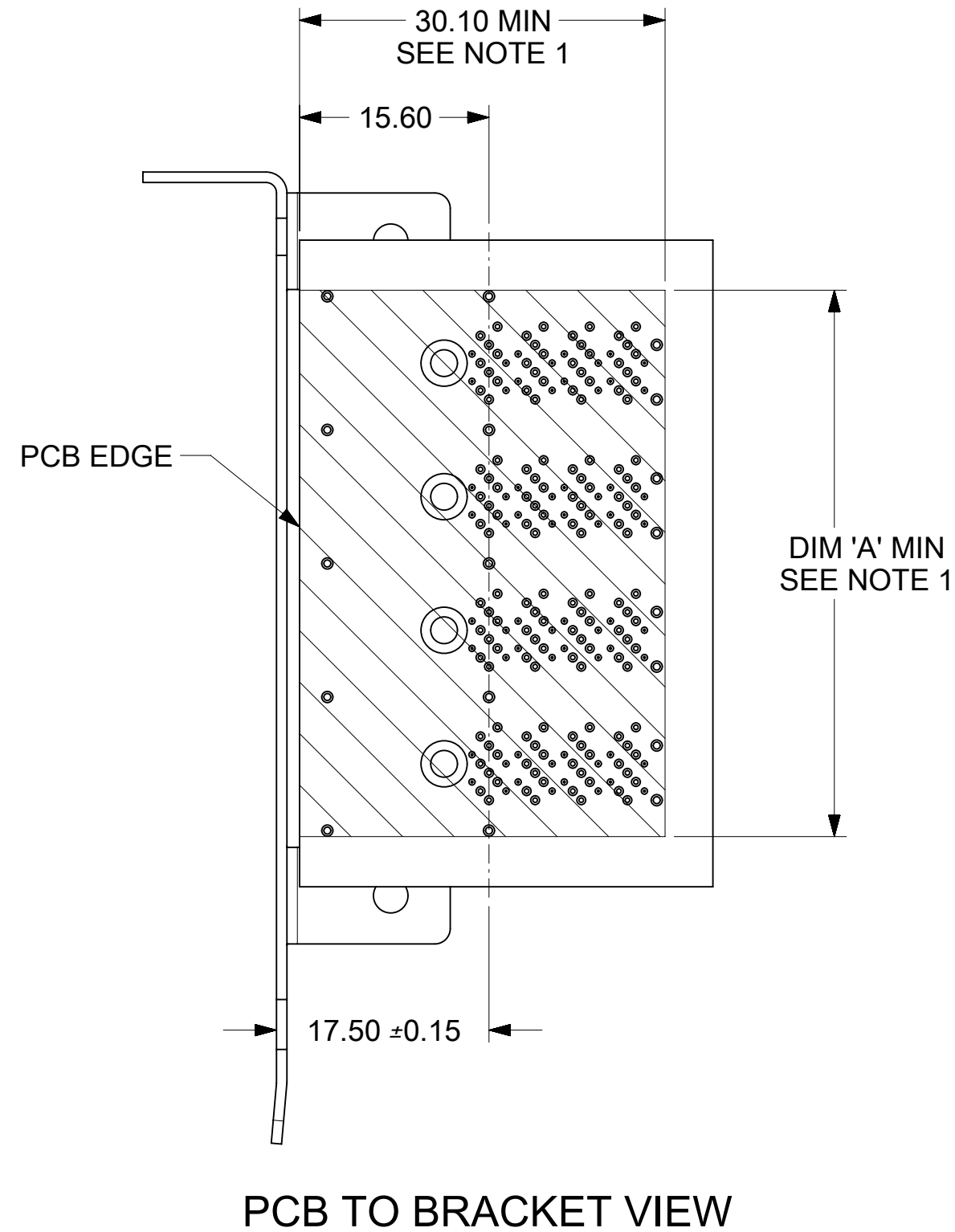
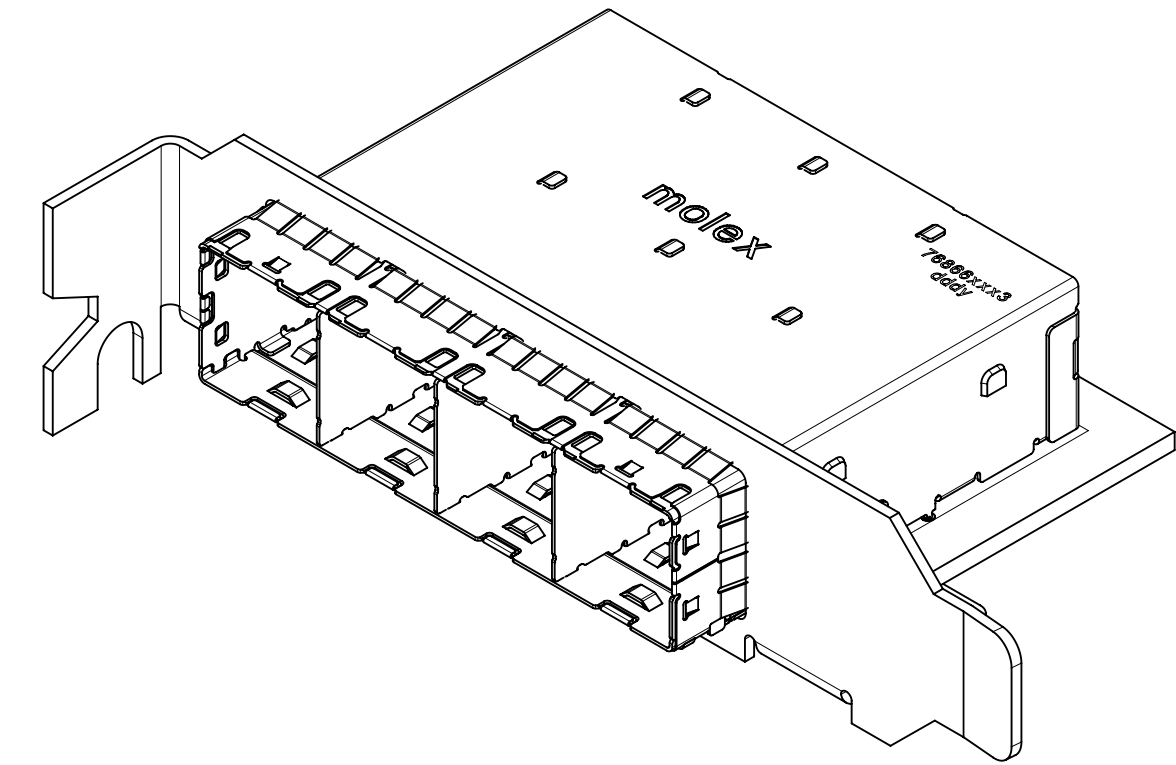
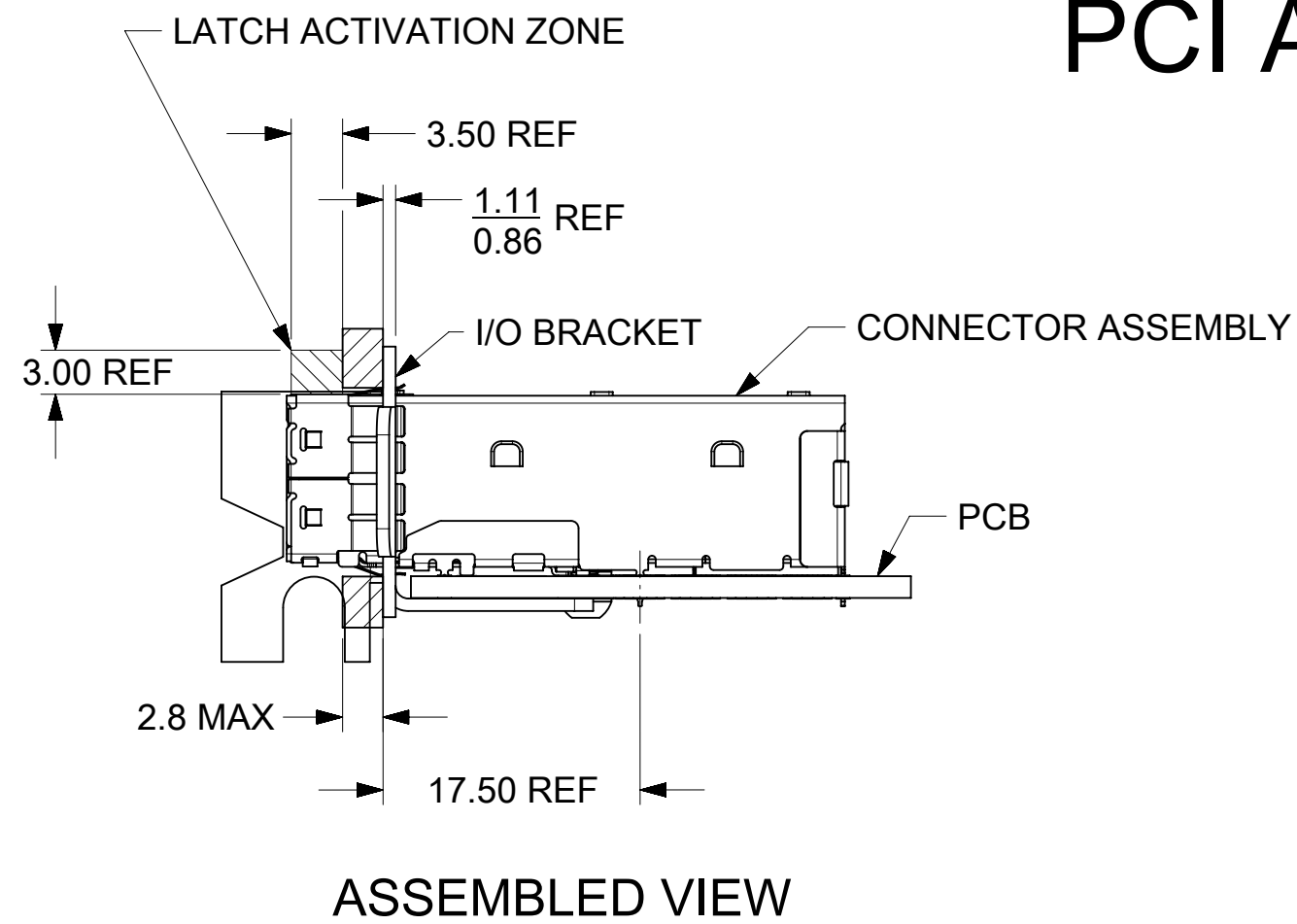
# 1X4 ASSEMBLY

MEXICO	DDDY
CHINA	MSHDDDY
MANUFACTURING LOCATION	DATE CODE

THIS DRAWING CONTAINS INFORMATION THAT IS PROPRIETARY TO MOLEX ELECTRONIC TECHNOLOGIES, LLC AND SHOULD NOT BE USED WITHOUT WRITTEN PERMISSION											
DIMENSION UNITS		SCALE		CURRENT REV DESC:							
MM		2:1									
GENERAL TOLERANCES (UNLESS SPECIFIED)				EC NO: 611291							
4 PLACES		±	±	DRWN: GSHARMA		2019/01/04					
3 PLACES		±	±	CHK'D: JKACHLIC		2019/07/18					
2 PLACES		± 0.13	±	APPR: JKACHLIC		2019/07/18					
1 PLACE		± 0.25	±	INITIAL REVISION:							
0 PLACES		±	±	DRWN: KLANG		2012/02/10					
ANGULAR TOL		± 0.5 °		APPR: MBANAKIS		2013/08/01					
DRAFT WHERE APPLICABLE MUST REMAIN WITHIN DIMENSIONS				THIRD ANGLE PROJECTION		DRAWING		SERIES		DOCUMENT NUMBER	
				C-SIZE		76866		SD-76866-1002		DOC TYPE   DOC PART   REVISION	
								PSD 001		C1	
								MATERIAL NUMBER		CUSTOMER	
								SEE CHART		GENERAL MARKET	
										SHEET NUMBER	
										4 OF 12	

DOCUMENT STATUS	P1	RELEASE DATE	2019/07/18	04:55:15
-----------------	----	--------------	------------	----------

# PCI ADD-IN CARD APPLICATION

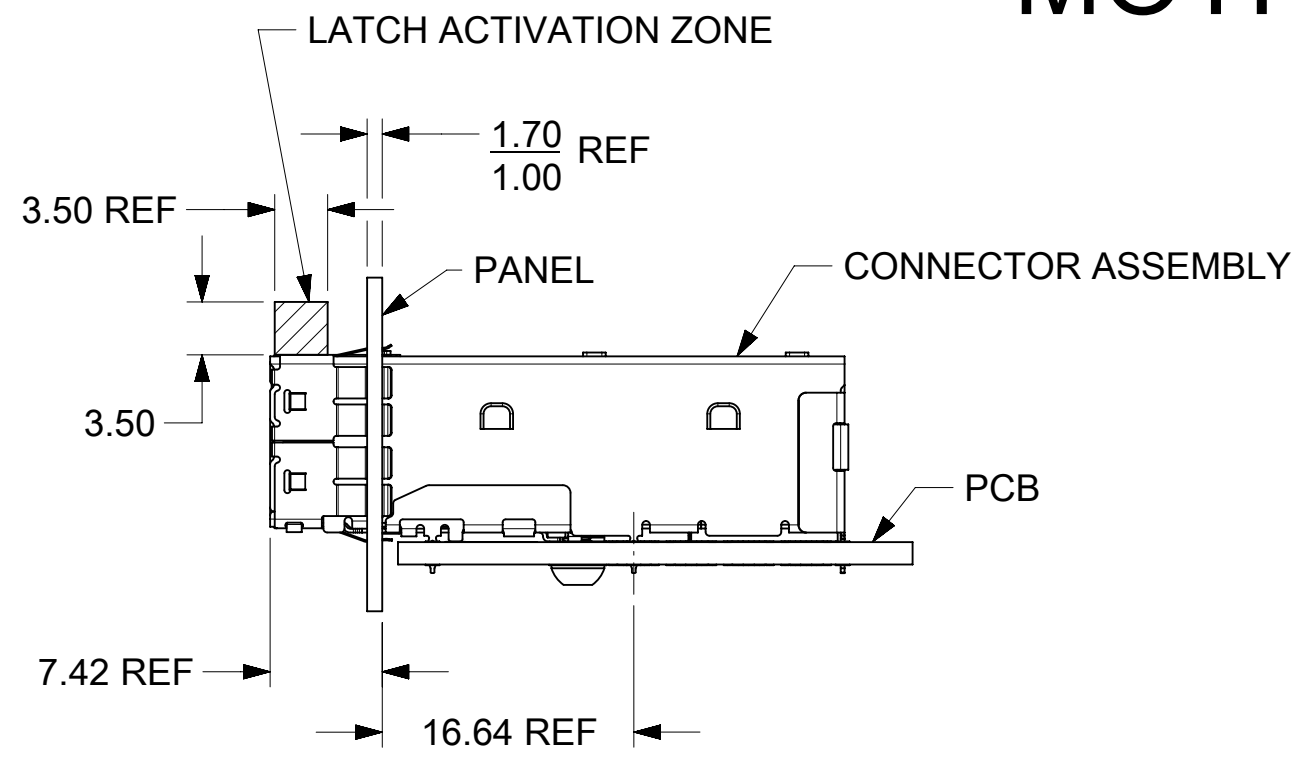


NOTES:  
1. CONNECTOR KEEP OUT ZONE: PCB COMPONENTS ARE NOT ALLOWED IN THIS AREA.

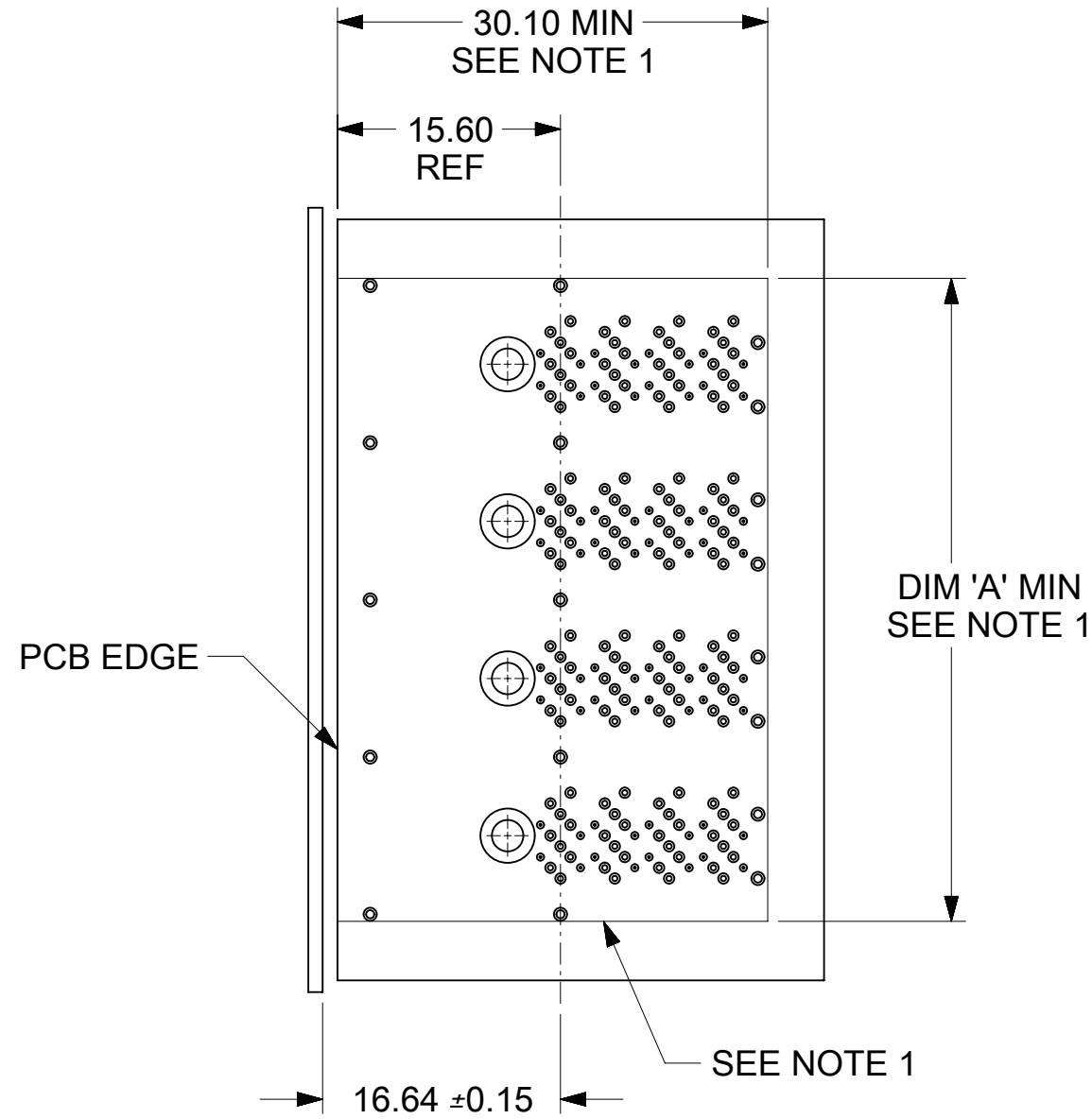
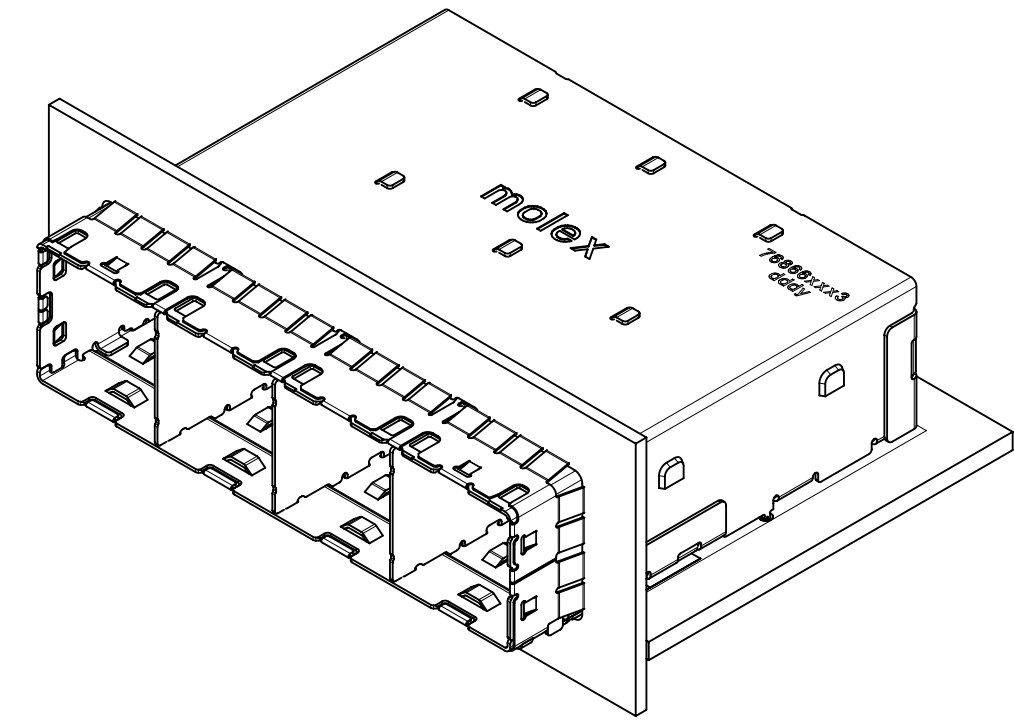
CONFIGURATION	DIM 'A'	DIM 'B'
1 X 1	12.00	11.90
1 X 2	23.00	22.90
1 X 4	45.00	44.90

THIS DRAWING CONTAINS INFORMATION THAT IS PROPRIETARY TO MOLEX ELECTRONIC TECHNOLOGIES, LLC AND SHOULD NOT BE USED WITHOUT WRITTEN PERMISSION											
DIMENSION UNITS <b>MM</b>		SCALE <b>2:1</b>		CURRENT REV DESC:							
GENERAL TOLERANCES (UNLESS SPECIFIED)				EC NO: 611291		<b>molex</b>					
4 PLACES ±		±		DRWN: GSHARMA 2019/01/04							
3 PLACES ±		±		CHK'D: JKACHLIC 2019/07/18		IPASS PLUS HD - 12G EXTERNAL EXTENDED SNOOT					
2 PLACES ± 0.13		±		APPR: JKACHLIC 2019/07/18							
1 PLACE ± 0.25		±		INITIAL REVISION:		PRODUCT CUSTOMER DRAWING					
0 PLACES ±		±		DRWN: KLANG 2012/02/10							
ANGULAR TOL ± 0.5°		±		APPR: MBANAKIS 2013/08/01		DOCUMENT NUMBER <b>SD-76866-1002</b>		DOC TYPE PSD	DOC PART 001	REVISION C1	
DRAFT WHERE APPLICABLE MUST REMAIN WITHIN DIMENSIONS		THIRD ANGLE PROJECTION		DRAWING C-SIZE		SERIES 76866		MATERIAL NUMBER SEE CHART		CUSTOMER GENERAL MARKET	SHEET NUMBER 5 OF 12

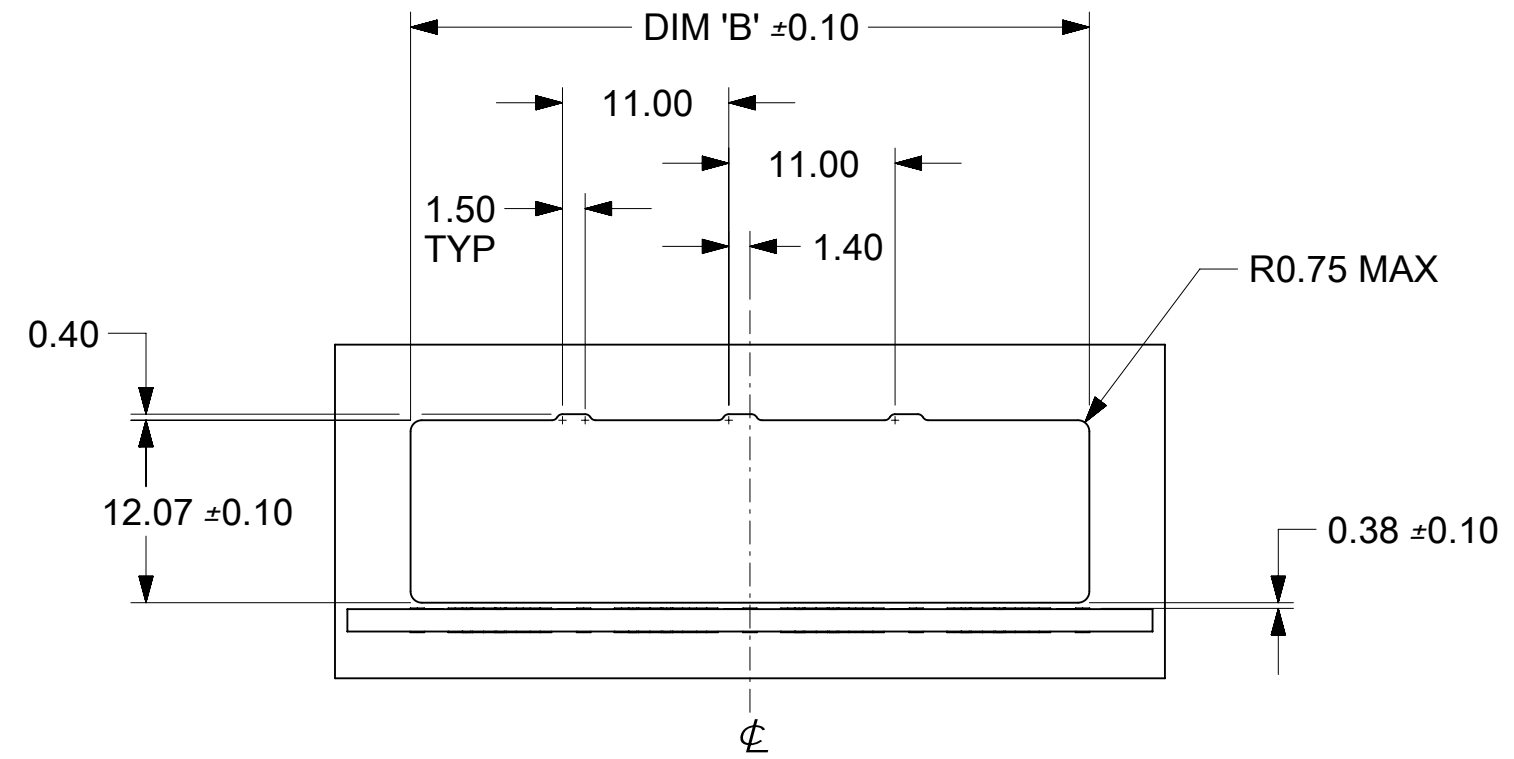
# MOTHER BOARD APPLICATION



ASSEMBLED VIEW



PCB TO BRACKET VIEW



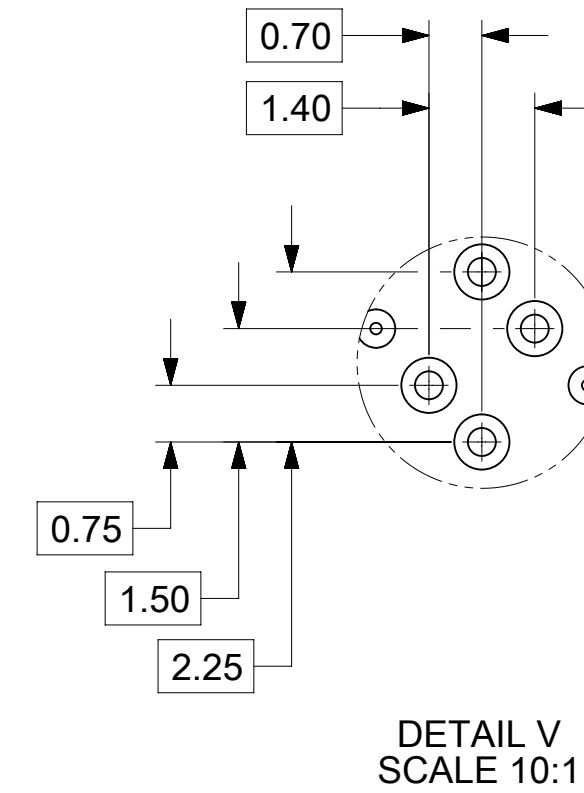
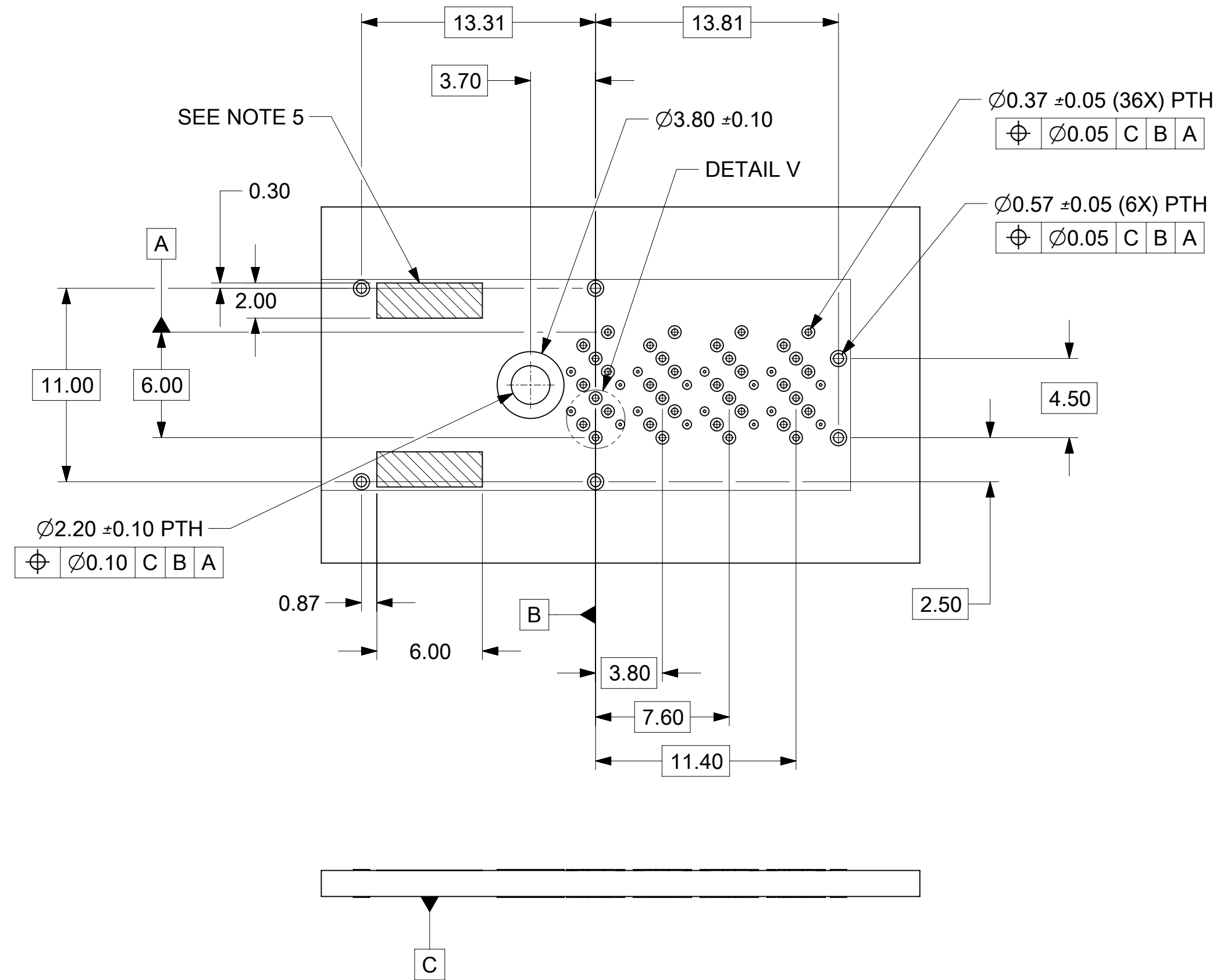
PANEL CUT OUT

NOTES:  
1. CONNECTOR KEEP OUT ZONE: PCB COMPONENTS ARE NOT ALLOWED IN THIS AREA.

CONFIGURATION	DIM 'A'	DIM 'B'
1 X 1	12.00	11.90
1 X 2	23.00	22.90
1 X 4	45.00	44.90

THIS DRAWING CONTAINS INFORMATION THAT IS PROPRIETARY TO MOLEX ELECTRONIC TECHNOLOGIES, LLC AND SHOULD NOT BE USED WITHOUT WRITTEN PERMISSION										
DIMENSION UNITS <b>MM</b>		SCALE <b>1:1</b>		CURRENT REV DESC:						
GENERAL TOLERANCES (UNLESS SPECIFIED)				EC NO: 611291		<b>molex</b>				
4 PLACES ±		±		DRWN: GSHARMA 2019/01/04						
3 PLACES ±		±		CHK'D: JKACHLIC 2019/07/18		IPASS PLUS HD - 12G EXTERNAL EXTENDED SNOUT				
2 PLACES ± 0.13		±		APPR: JKACHLIC 2019/07/18						
1 PLACE ± 0.25		±		INITIAL REVISION:		PRODUCT CUSTOMER DRAWING				
0 PLACES ±		±		DRWN: KLANG 2012/02/10						
ANGULAR TOL ± 0.5°		±		APPR: MBANAKIS 2013/08/01		DOCUMENT NUMBER <b>SD-76866-1002</b>		DOC TYPE <b>PSD</b>	DOC PART <b>001</b>	REVISION <b>C1</b>
DRAFT WHERE APPLICABLE MUST REMAIN WITHIN DIMENSIONS		THIRD ANGLE PROJECTION		DRAWING <b>C-SIZE</b>	SERIES <b>76866</b>	MATERIAL NUMBER SEE CHART		CUSTOMER GENERAL MARKET		SHEET NUMBER 6 OF 12

# 1X1 RECOMMENDED FOOTPRINT



**NOTES:**

1. RECOMMENDED DRILL & ANNULAR RING SIZE FOR 0.37 $\phi$  FINISHED PTH - REFER TO APPLICATION SPECIFICATION AS-76866-001
2. MINIMUM RECOMMENDED SPACING: 47.00MM
3. MINIMUM PCB THICKNESS: 1.57MM
4. RECOMMENDED DRILL & ANNULAR RING SIZE FOR 0.57 $\phi$  FINISHED PTH - REFER TO APPLICATION SPECIFICATION AS-76866-001
5. CAGE KEEP OUT ZONE: TRACES AND VIAS ARE NOT ALLOWED ON SURFACE OF PCB IN THESE AREAS.

THIS DRAWING CONTAINS INFORMATION THAT IS PROPRIETARY TO MOLEX ELECTRONIC TECHNOLOGIES, LLC AND SHOULD NOT BE USED WITHOUT WRITTEN PERMISSION											
DIMENSION UNITS		SCALE		CURRENT REV DESC:							
MM		4:1		EC NO: 611291 DRWN: GSHARMA 2019/01/04 CHK'D: JKACHLIC 2019/07/18 APPR: JKACHLIC 2019/07/18 INITIAL REVISION: DRWN: KLANG 2012/02/10 APPR: MBANAKIS 2013/08/01							
GENERAL TOLERANCES (UNLESS SPECIFIED)											
4 PLACES		±									
3 PLACES		±									
2 PLACES		± 0.13 ±									
1 PLACE		± 0.25 ±		PRODUCT CUSTOMER DRAWING							
0 PLACES		±		DOCUMENT NUMBER			DOC TYPE		DOC PART		
ANGULAR TOL		± 0.5 °		SD-76866-1002			PSD		001 C1		
DRAFT WHERE APPLICABLE MUST REMAIN WITHIN DIMENSIONS				THIRD ANGLE PROJECTION		DRAWING		SERIES		MATERIAL NUMBER	
						C-SIZE		76866		CUSTOMER	
						SEE CHART		GENERAL MARKET		SHEET NUMBER	
										7 OF 12	

**molex**

IPASS PLUS HD - 12G  
EXTERNAL EXTENDED SNOOT

PRODUCT CUSTOMER DRAWING

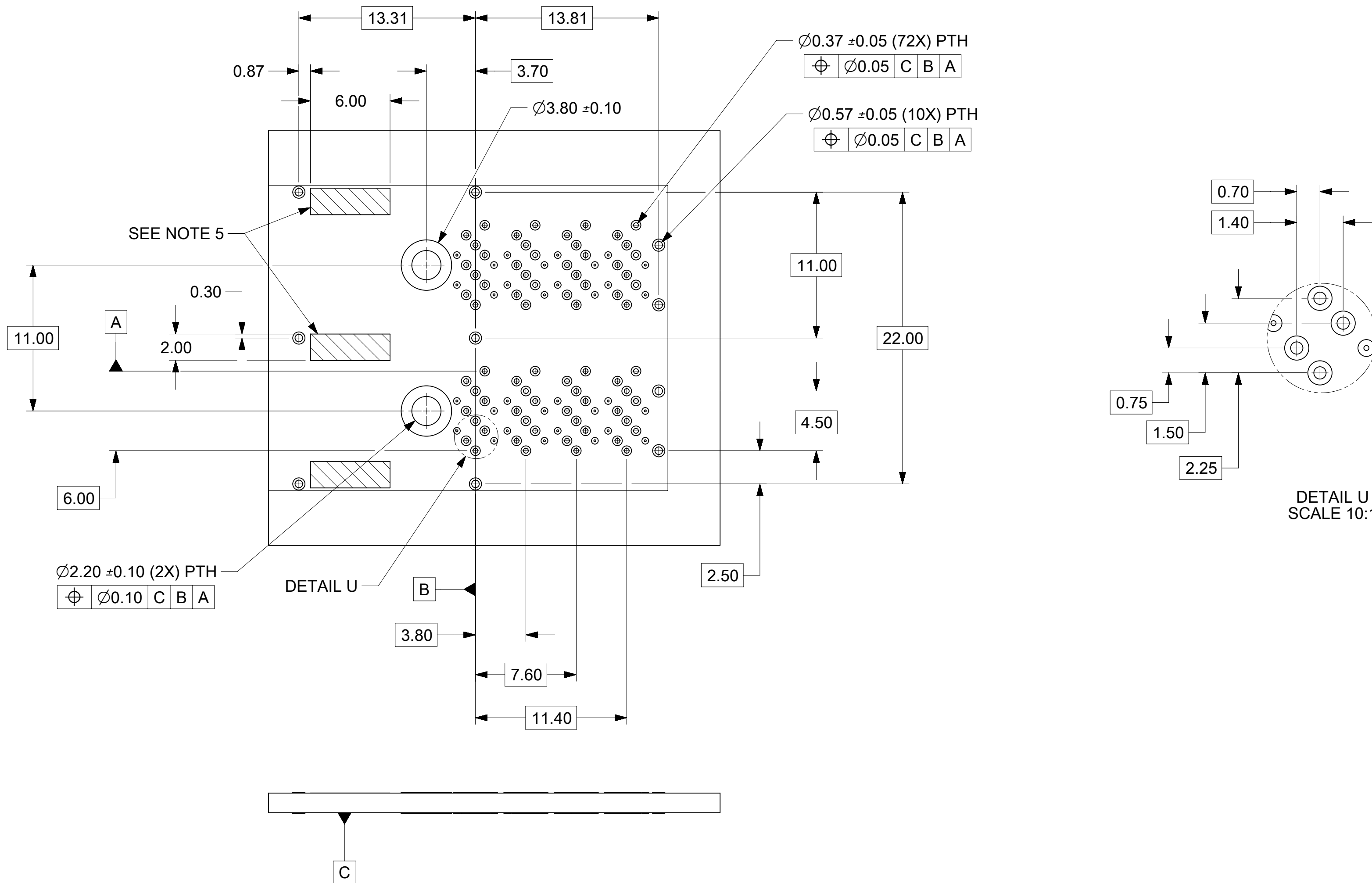
DOCUMENT NUMBER DOC TYPE DOC PART REVISION

SD-76866-1002 PSD 001 C1

MATERIAL NUMBER CUSTOMER SHEET NUMBER

SEE CHART GENERAL MARKET 7 OF 12

# 1X2 RECOMMENDED FOOTPRINT



- NOTES:**
1. RECOMMENDED DRILL & ANNULAR RING SIZE FOR 0.37 $\phi$  FINISHED PTH - REFER TO APPLICATION SPECIFICATION AS-76866-001
  2. MINIMUM RECOMMENDED SPACING: 47.00MM
  3. MINIMUM PCB THICKNESS: 1.57MM
  4. RECOMMENDED DRILL & ANNULAR RING SIZE FOR 0.57 $\phi$  FINISHED PTH - REFER TO APPLICATION SPECIFICATION AS-76866-001
  5. CAGE KEEP OUT ZONE: TRACES AND VIAS ARE NOT ALLOWED ON SURFACE OF PCB IN THESE AREAS.

THIS DRAWING CONTAINS INFORMATION THAT IS PROPRIETARY TO MOLEX ELECTRONIC TECHNOLOGIES, LLC AND SHOULD NOT BE USED WITHOUT WRITTEN PERMISSION									
DIMENSION UNITS		SCALE		CURRENT REV DESC:					
MM		4:1		EC NO: 611291 DRWN: GSHARMA 2019/01/04 CHK'D: JKACHLIC 2019/07/18 APPR: JKACHLIC 2019/07/18 INITIAL REVISION: DRWN: KLANG 2012/02/10 APPR: MBANAKIS 2013/08/01					
GENERAL TOLERANCES (UNLESS SPECIFIED)									
		MM	INCH						
4 PLACES	±		±						
3 PLACES	±		±						
2 PLACES	±	0.13	±						
1 PLACE	±	0.25	±						
0 PLACES	±		±						
ANGULAR TOL		± 0.5 °		THIRD ANGLE PROJECTION DRAWING SERIES C-SIZE 76866					
DRAFT WHERE APPLICABLE MUST REMAIN WITHIN DIMENSIONS				MATERIAL NUMBER		CUSTOMER		SHEET NUMBER	
				SEE CHART		GENERAL MARKET		8 OF 12	

**molex**

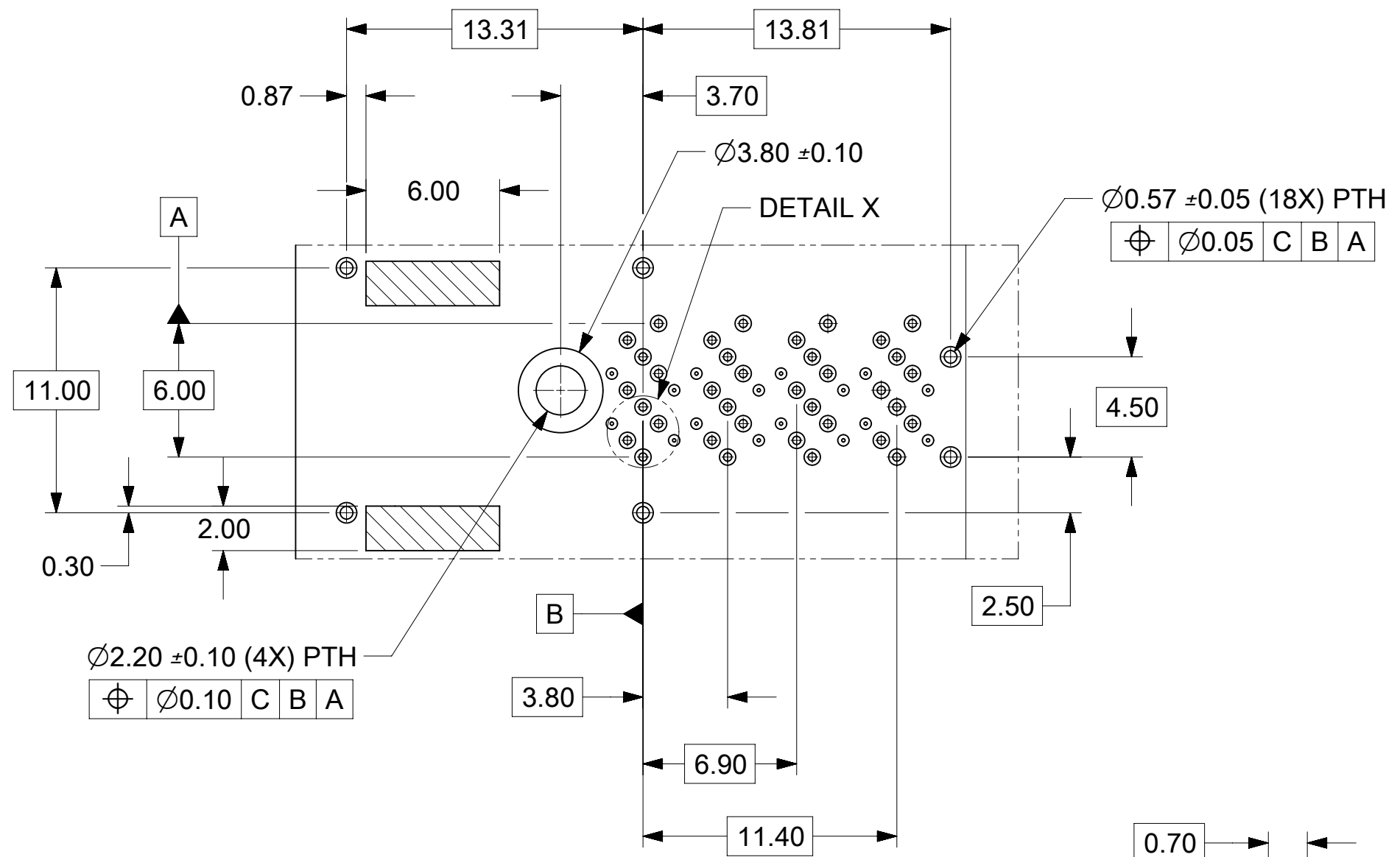
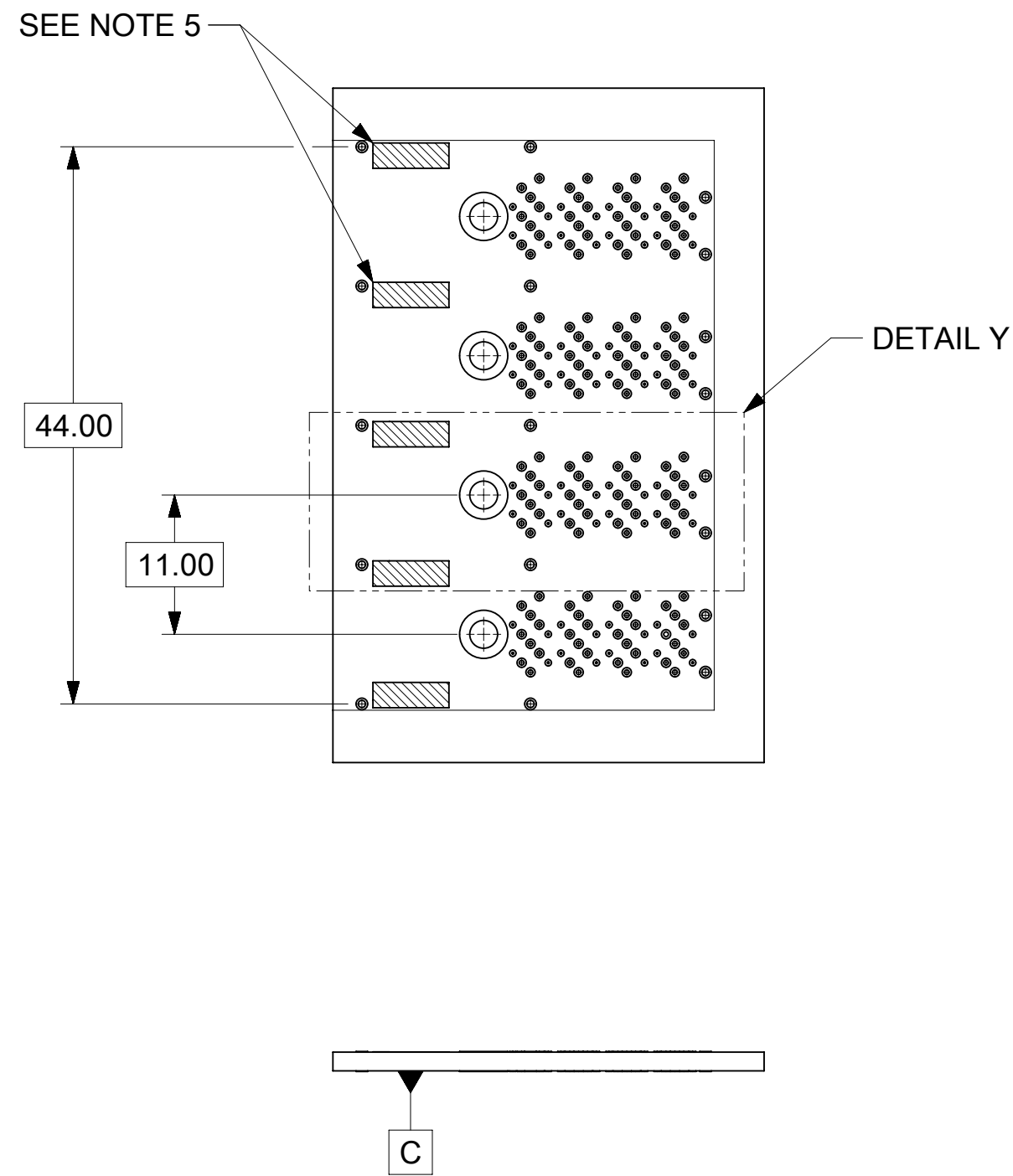
IPASS PLUS HD - 12G  
EXTERNAL EXTENDED SNOOT

PRODUCT CUSTOMER DRAWING

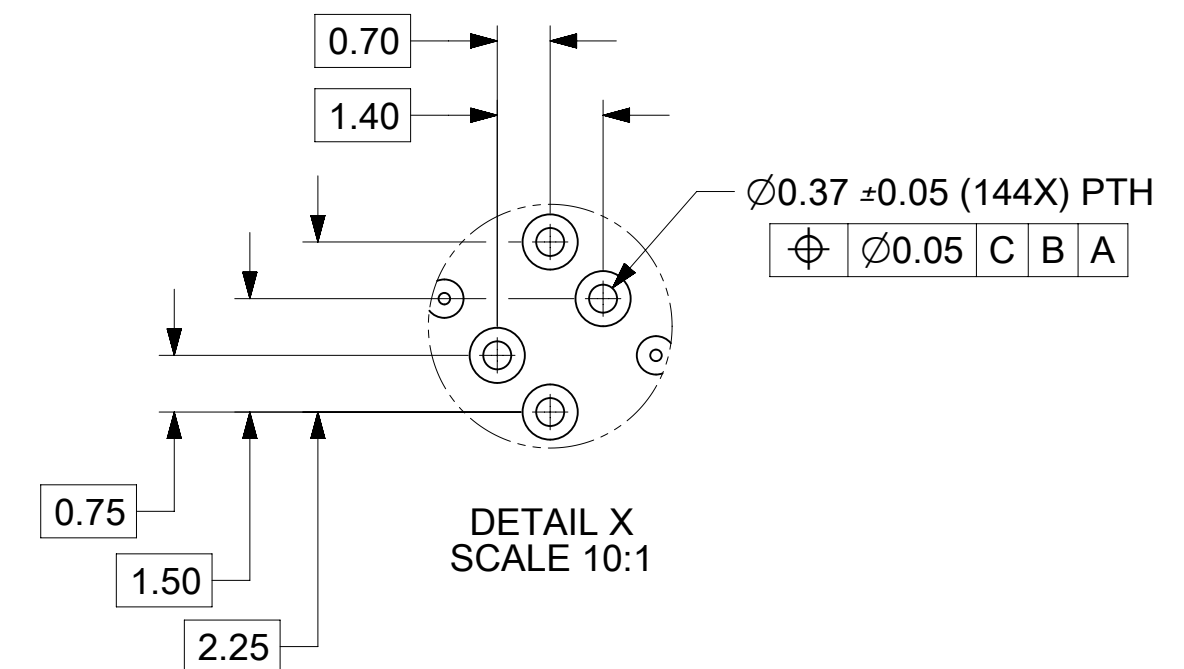
DOCUMENT NUMBER	DOC TYPE	DOC PART	REVISION
SD-76866-1002	PSD	001	C1



# 1X4 RECOMMENDED FOOTPRINT



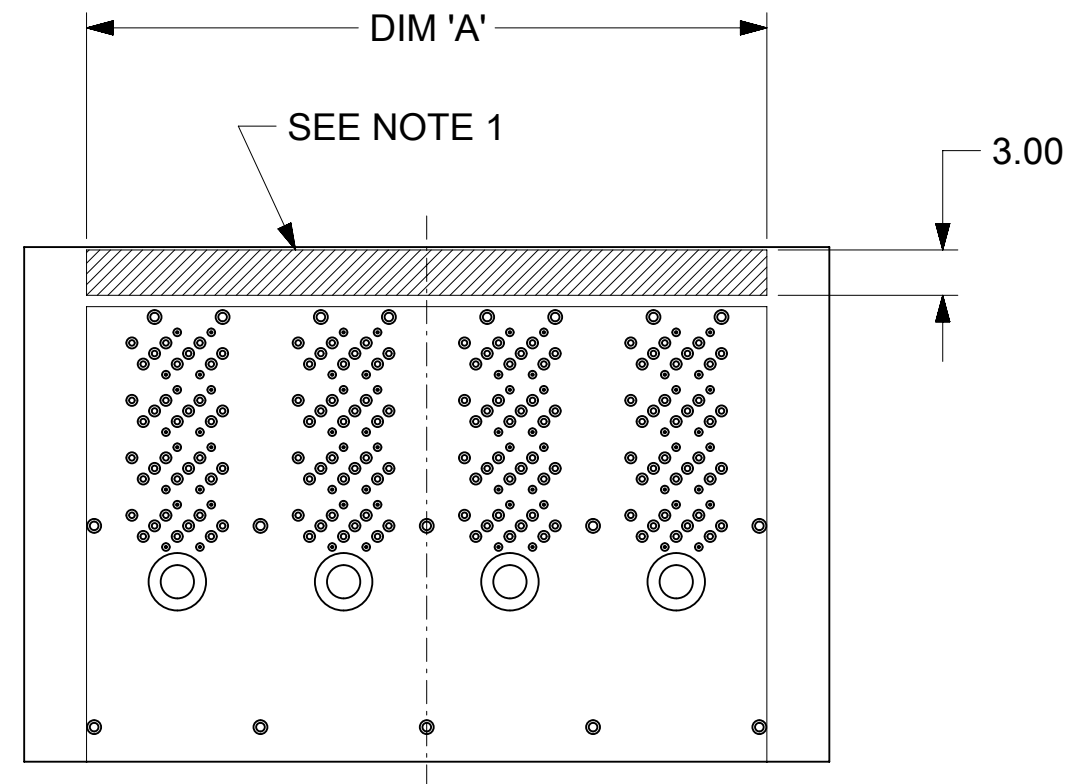
DETAIL Y SCALE 4:1



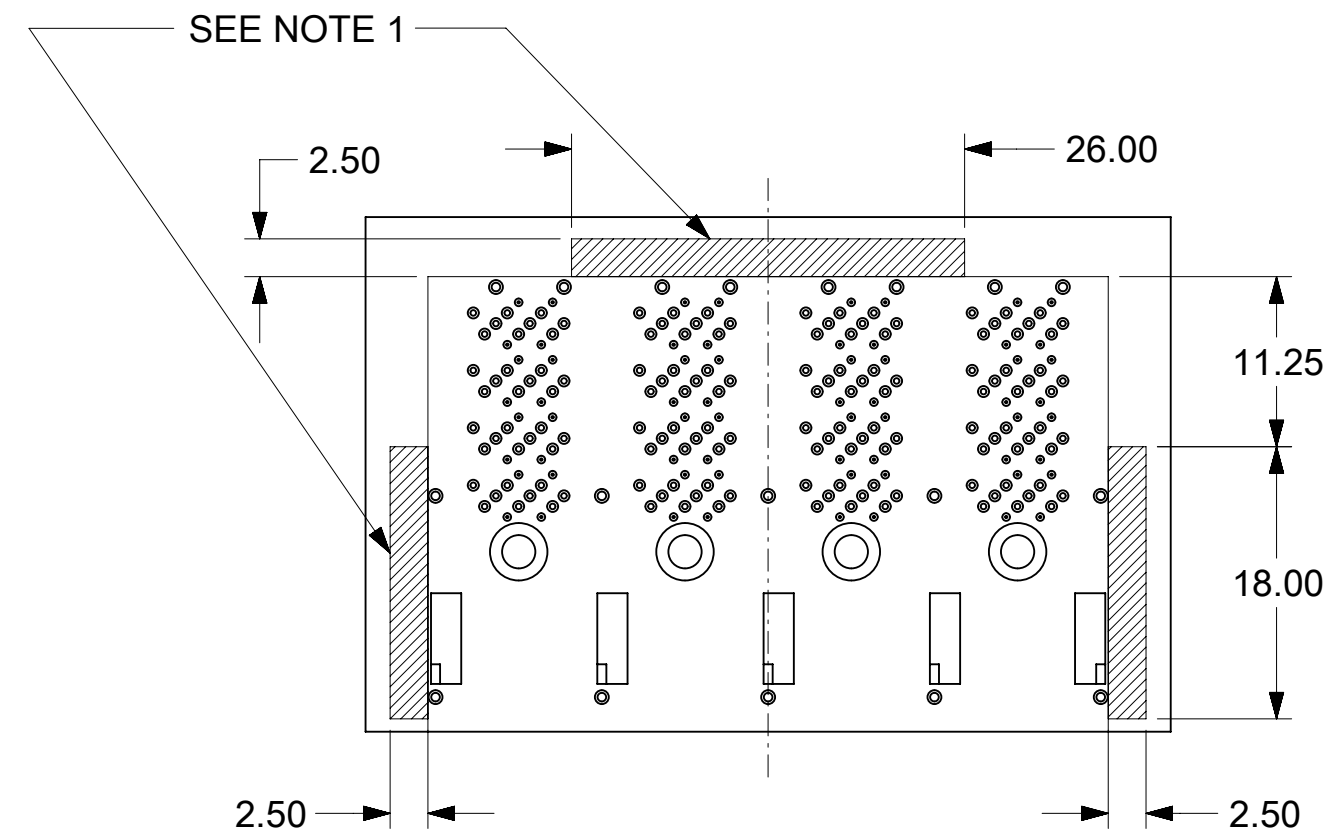
- NOTES:
1. RECOMMENDED DRILL & ANNULAR RING SIZE FOR  $0.37\varnothing$  FINISHED PTH - REFER TO APPLICATION SPECIFICATION AS-76866-001
  2. MINIMUM RECOMMENDED SPACING: 47.00MM
  3. MINIMUM PCB THICKNESS: 1.57MM
  4. RECOMMENDED DRILL & ANNULAR RING SIZE FOR  $0.57\varnothing$  FINISHED PTH - REFER TO APPLICATION SPECIFICATION AS-76866-001
  5. CAGE KEEP OUT ZONE: TRACES AND VIAS ARE NOT ALLOWED ON SURFACE OF PCB IN THESE AREAS.

THIS DRAWING CONTAINS INFORMATION THAT IS PROPRIETARY TO MOLEX ELECTRONIC TECHNOLOGIES, LLC AND SHOULD NOT BE USED WITHOUT WRITTEN PERMISSION											
DIMENSION UNITS		SCALE		CURRENT REV DESC:						<b>molex</b>	
MM		2:1									
GENERAL TOLERANCES (UNLESS SPECIFIED)				EC NO: 611291		DRWN: GSHARMA		2019/01/04		IPASS PLUS HD - 12G EXTERNAL EXTENDED SNOTH	
4 PLACES		±		CHK'D: JKACHLIC		2019/07/18					
3 PLACES		±		APPR: JKACHLIC		2019/07/18		PRODUCT CUSTOMER DRAWING			
2 PLACES		± 0.13		INITIAL REVISION:		DRWN: KLANG		2012/02/10		DOCUMENT NUMBER	
1 PLACE		± 0.25		APPR: MBANAKIS		2013/08/01		SD-76866-1002		DOC TYPE DOC PART REVISION	
0 PLACES		±		THIRD ANGLE PROJECTION		DRAWING		SERIES		MATERIAL NUMBER	
ANGULAR TOL ± 0.5°				C-SIZE		76866		SEE CHART		CUSTOMER	
DRAFT WHERE APPLICABLE MUST REMAIN WITHIN DIMENSIONS				GENERAL MARKET		9 OF 12				SHEET NUMBER	

# RECOMMENDED TOOLING KEEP OUT AREAS



INSERTION TOOL KEEP OUT AREA



EXTRACTION TOOL KEEP OUT AREA

CONFIGURATION	DIM 'A' (MIN)
1 X 1	12.00
1 X 2	23.00
1 X 4	45.00

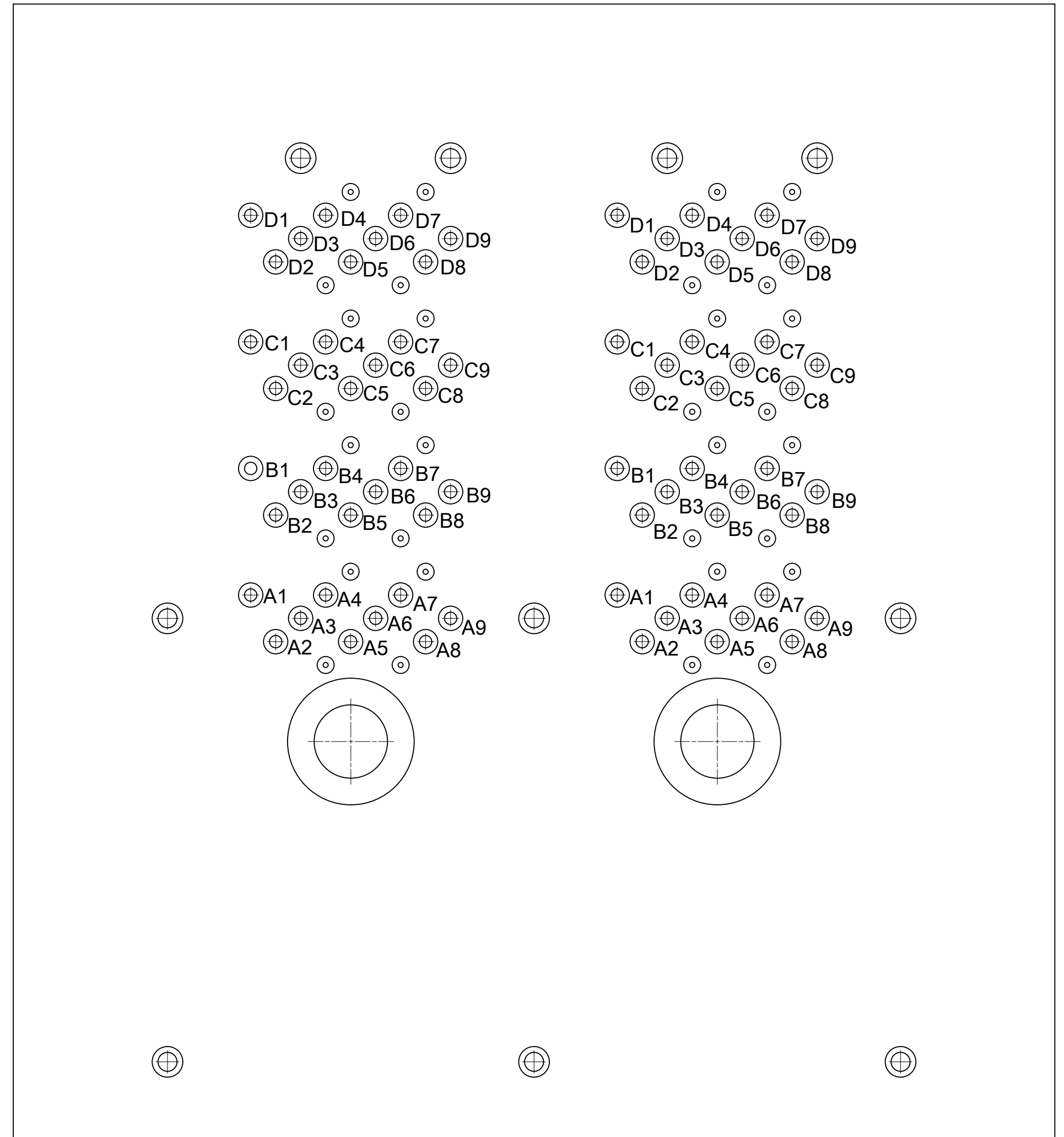
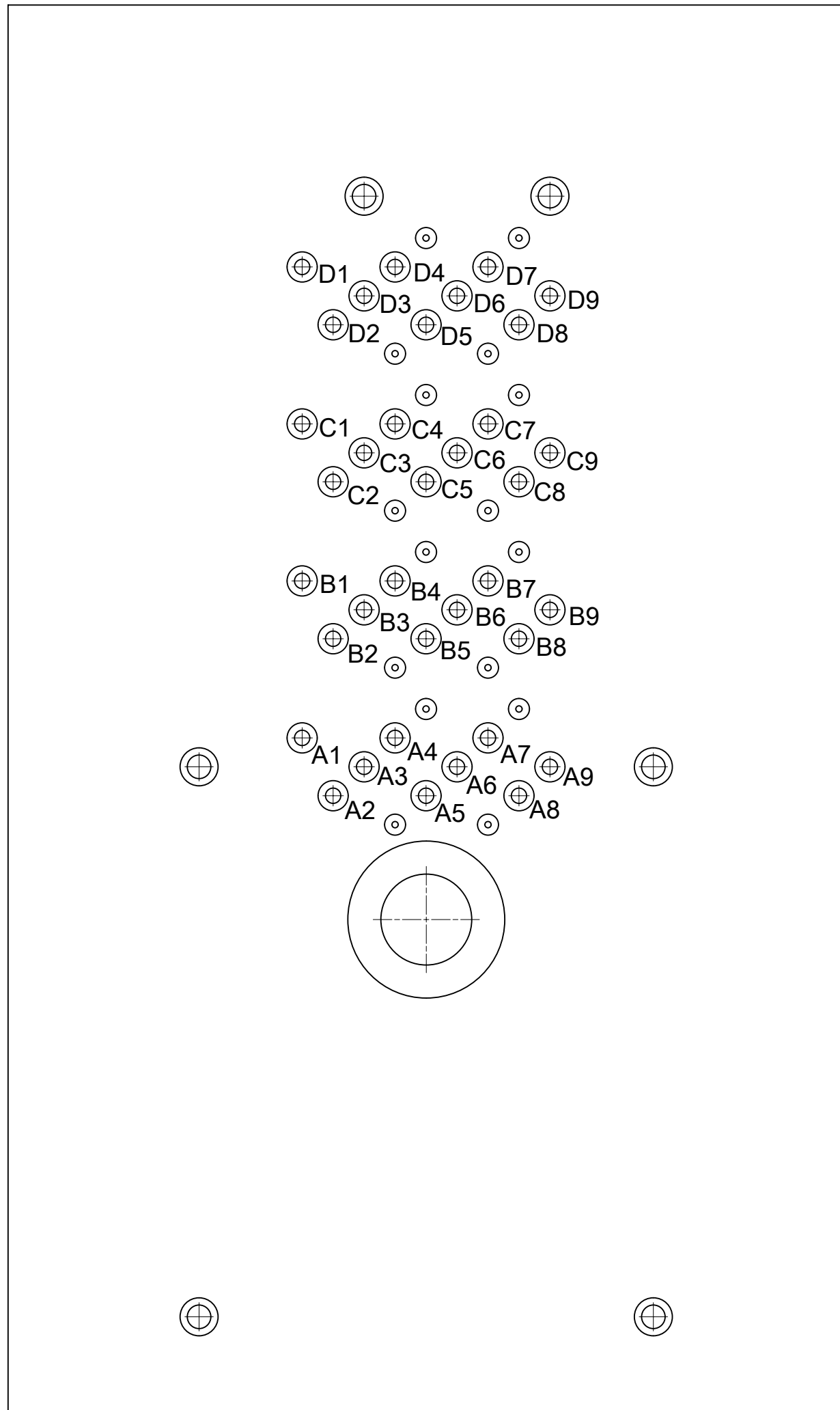
NOTES:  
1. NO COMPONENTS ALLOWED IN THESE AREAS

THIS DRAWING CONTAINS INFORMATION THAT IS PROPRIETARY TO MOLEX ELECTRONIC TECHNOLOGIES, LLC AND SHOULD NOT BE USED WITHOUT WRITTEN PERMISSION

DIMENSION UNITS <b>MM</b>	SCALE <b>1:1</b>	CURRENT REV DESC:		<b>molex</b>
GENERAL TOLERANCES (UNLESS SPECIFIED)		EC NO: 611291		
4 PLACES ±	MM INCH	DRWN: GSHARMA	2019/01/04	IPASS PLUS HD - 12G EXTERNAL EXTENDED SNOOT
3 PLACES ±		CHK'D: JKACHLIC	2019/07/18	
2 PLACES ± 0.13		APPR: JKACHLIC	2019/07/18	PRODUCT CUSTOMER DRAWING
1 PLACE ± 0.25		INITIAL REVISION:		DOCUMENT NUMBER
0 PLACES ±		DRWN: KLANG	2012/02/10	<b>SD-76866-1002</b>
ANGULAR TOL ± 0.5 °		APPR: MBANAKIS	2013/08/01	DOC TYPE
DRAFT WHERE APPLICABLE MUST REMAIN WITHIN DIMENSIONS	THIRD ANGLE PROJECTION	DRAWING	SERIES	DOC PART
		<b>C-SIZE</b>	<b>76866</b>	REVISION
				<b>PSD 001 C1</b>
		MATERIAL NUMBER	CUSTOMER	SHEET NUMBER
		SEE CHART	GENERAL MARKET	10 OF 12

DOCUMENT STATUS	P1	RELEASE DATE	2019/07/18	04:55:15
-----------------	----	--------------	------------	----------

# 1X1 & 1X2 FOOTPRINT CIRCUIT IDENTIFICATION

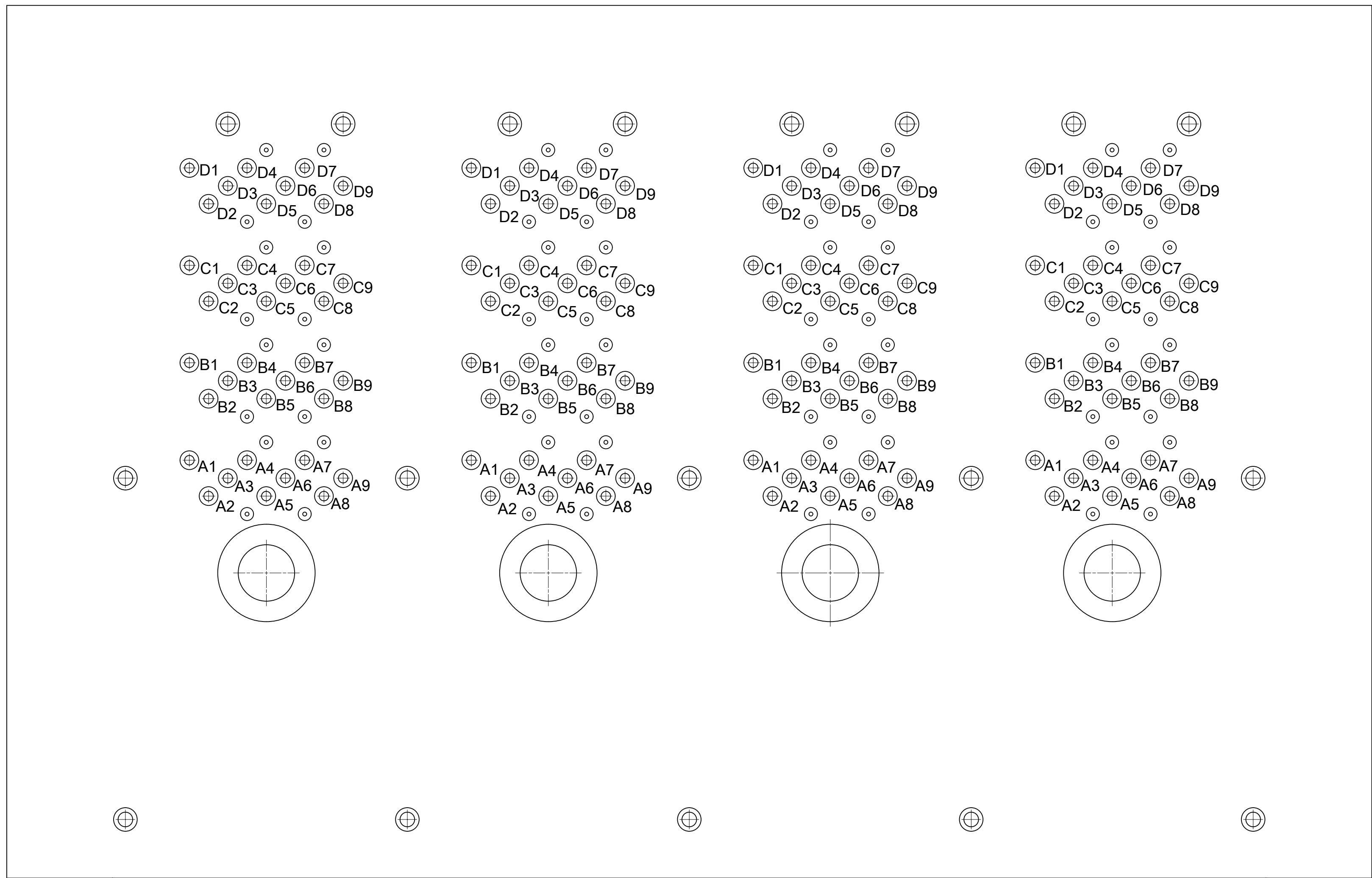


THIS DRAWING CONTAINS INFORMATION THAT IS PROPRIETARY TO MOLEX ELECTRONIC TECHNOLOGIES, LLC AND SHOULD NOT BE USED WITHOUT WRITTEN PERMISSION

DIMENSION UNITS		SCALE		CURRENT REV DESC:				<b>molex</b>							
MM		8:1													
GENERAL TOLERANCES (UNLESS SPECIFIED)				EC NO: 611291				IPASS PLUS HD - 12G EXTERNAL EXTENDED SNOOT							
		MM	INCH	DRWN: GSHARMA		2019/01/04									
4 PLACES		±	±	CHK'D: JKACHLIC		2019/07/18									
3 PLACES		±	±	APPR: JKACHLIC		2019/07/18		PRODUCT CUSTOMER DRAWING							
2 PLACES		± 0.13	±	INITIAL REVISION:				DOCUMENT NUMBER							
1 PLACE		± 0.25	±	DRWN: KLANG				2012/02/10		DOC TYPE		DOC PART	REVISION		
0 PLACES		±	±	APPR: MBANAKIS				2013/08/01		SD-76866-1002		PSD	001	C1	
ANGULAR TOL ± 0.5 °				THIRD ANGLE PROJECTION		DRAWING		SERIES		MATERIAL NUMBER		CUSTOMER		SHEET NUMBER	
DRAFT WHERE APPLICABLE MUST REMAIN WITHIN DIMENSIONS						C-SIZE		76866		SEE CHART		GENERAL MARKET		11 OF 12	

DOCUMENT STATUS	P1	RELEASE DATE	2019/07/18	04:55:15
-----------------	----	--------------	------------	----------

# 1X4 FOOTPRINT CIRCUIT IDENTIFICATION



THIS DRAWING CONTAINS INFORMATION THAT IS PROPRIETARY TO MOLEX ELECTRONIC TECHNOLOGIES, LLC AND SHOULD NOT BE USED WITHOUT WRITTEN PERMISSION

DIMENSION UNITS		SCALE		CURRENT REV DESC:							
MM		8:1									
GENERAL TOLERANCES (UNLESS SPECIFIED)				EC NO: 611291				IPASS PLUS HD - 12G EXTERNAL EXTENDED SNOUT			
		MM	INCH	DRWN: GSHARMA		2019/01/04					
4 PLACES		±	±	CHK'D: JKACHLIC		2019/07/18		PRODUCT CUSTOMER DRAWING DOCUMENT NUMBER: SD-76866-1002 DOC TYPE: PSD DOC PART: 001 REVISION: C1			
3 PLACES		±	±	APPR: JKACHLIC		2019/07/18					
2 PLACES		± 0.13	±	INITIAL REVISION: DRWN: KLANG 2012/02/10 APPR: MBANAKIS 2013/08/01				MATERIAL NUMBER: SEE CHART CUSTOMER: GENERAL MARKET SHEET NUMBER: 12 OF 12			
1 PLACE		± 0.25	±								
0 PLACES		±	±	THIRD ANGLE PROJECTION				DRAWING: C-SIZE			
ANGULAR TOL ± 0.5 °				SERIES: 76866							
DRAFT WHERE APPLICABLE MUST REMAIN WITHIN DIMENSIONS				THIRD ANGLE PROJECTION							

DOCUMENT STATUS	P1	RELEASE DATE	2019/07/18	04:55:15
-----------------	----	--------------	------------	----------