

USB Type-C Power Delivery

USB Type-C Power Delivery Controller

BD93E11GWL

General Description

BD93E11GWL is a full function USB Type-C Power Delivery (PD) Controller that supports USB PD using base-band communication. It is compatible with USB Type-C Specification and Power Delivery specification. BD93E11GWL includes support for the PD policy engine and communicates with an Embedded Controller or the SoC via host interface. It supports SOP, SOP' and SOP'' signaling allowing it to communicate with cable marker ICs.

Features

- 32 Bit ARM® Cortex®-M0 Processor Embedded.
- USB Type-C Specification Release 1.3 Compatible.
- USB PD Specification Revision 3.0 Compatible.
- Integrated VCONN Switches.
- Integrated VBUS N-ch MOSFET Switch Gate Driver.
- Integrated VBUS Discharge Switch.
- Supports Dead Battery Operation.
- I2C Interface for Host Communication.

Key Specifications

- VBUS_C Voltage Range: 3.67 V to 22 V
- VSVR Voltage Range: 3.1 V to 5.5 V
- VCONNIN Voltage Range: 4.9 V to 5.5 V
- Operating Temperature Range: -30 °C to +85 °C

FW Revision

- Rev.7680(1E00h)

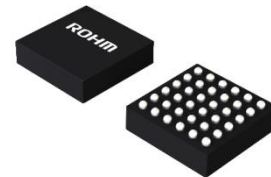
Applications

- Camera
- Smart Speaker
- Drone

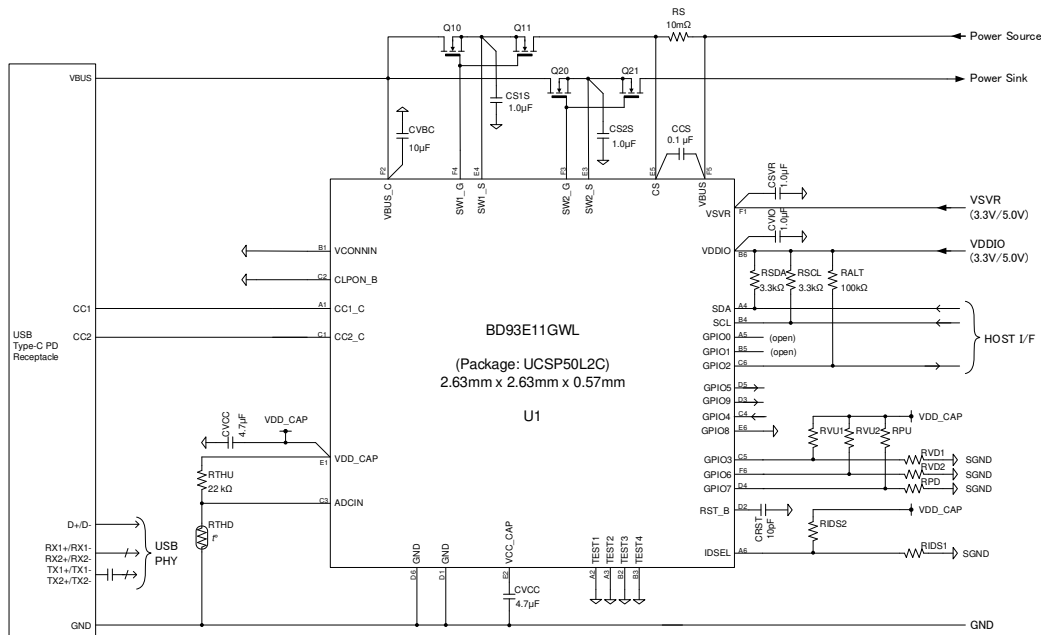
Package

UCSP50L2C(36Pin)

W (Typ) x D (Typ) x H (Max)
2.63 mm x 2.63 mm x 0.57 mm
(0.4mm pitch)



Typical Application Circuit



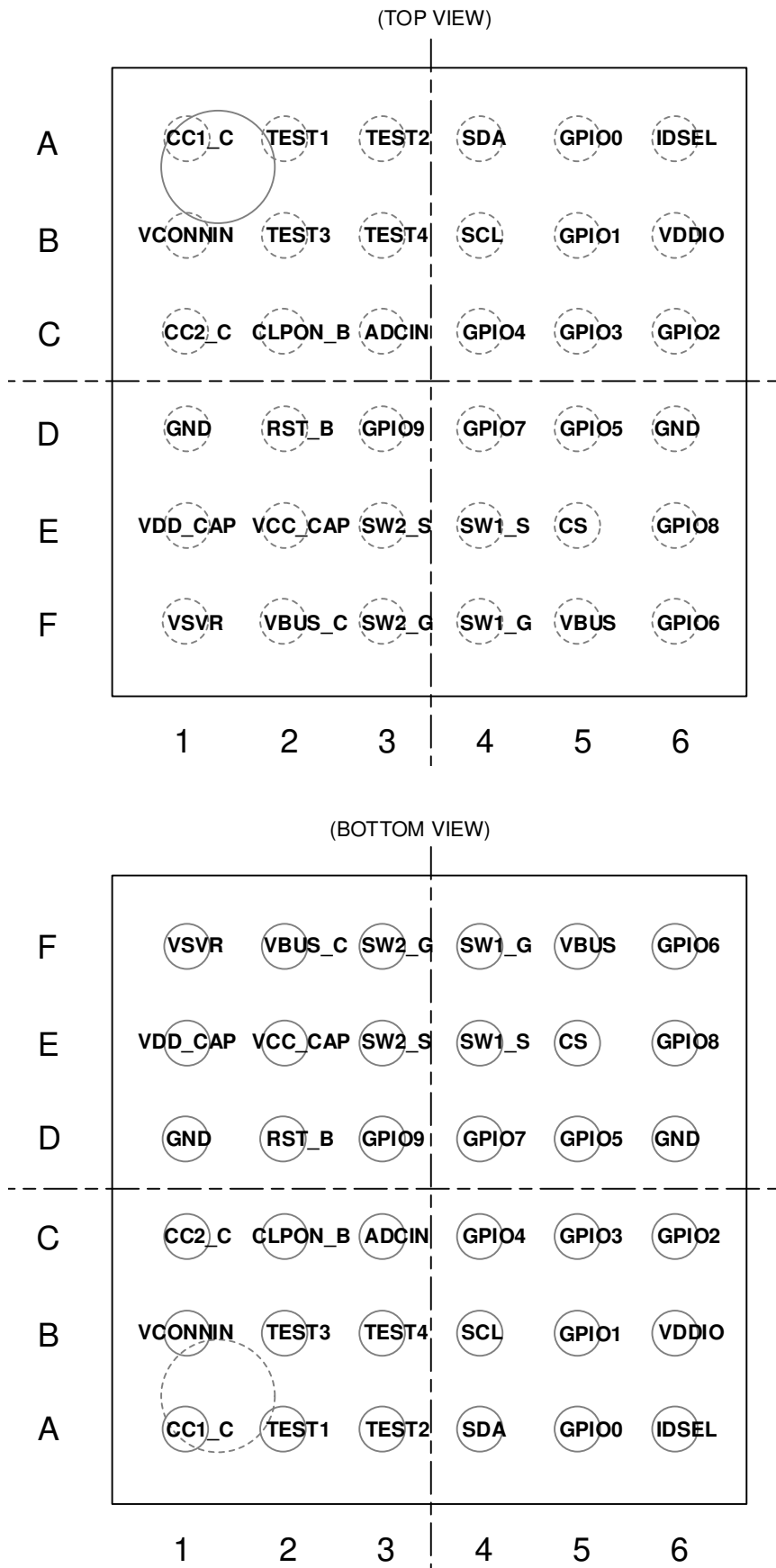
“ARM® Cortex®” is a registered trademark of Arm Limited.

○Product structure : Silicon integrated circuit ○This product has no designed protection against radioactive rays.

Contents

General Description	1
Features.....	1
Key Specifications	1
FW Revision	1
Applications	1
Package.....	1
Typical Application Circuit	1
Contents	2
Pin Configuration	3
Pin Description.....	4
Block Diagram	5
Description of Block.....	6
Absolute Maximum Ratings	7
Thermal Resistance.....	7
Recommended Operating Conditions	8
Internal Memory Cell Characteristics	8
Electrical Characteristics.....	8
Timing Chart	10
I/O Equivalence Circuits.....	12
Operational Notes.....	14
1. Reverse Connection of Power Supply	14
2. Power Supply Lines.....	14
3. Ground Voltage.....	14
4. Ground Wiring Pattern.....	14
5. Recommended Operating Conditions.....	14
6. Inrush Current.....	14
7. Testing on Application Boards	14
8. Inter-pin Short and Mounting Errors	14
9. Unused Input Pins	14
10. Regarding the Input Pin of the IC	15
11. Ceramic Capacitor.....	15
12. Thermal Shutdown Circuit (TSD).....	15
13. Over Current Protection Circuit (OCP)	15
14. Disturbance Light.....	15
Ordering Information.....	16
Marking Diagram	16
Physical Dimension and Packing Information	17
Revision History.....	18

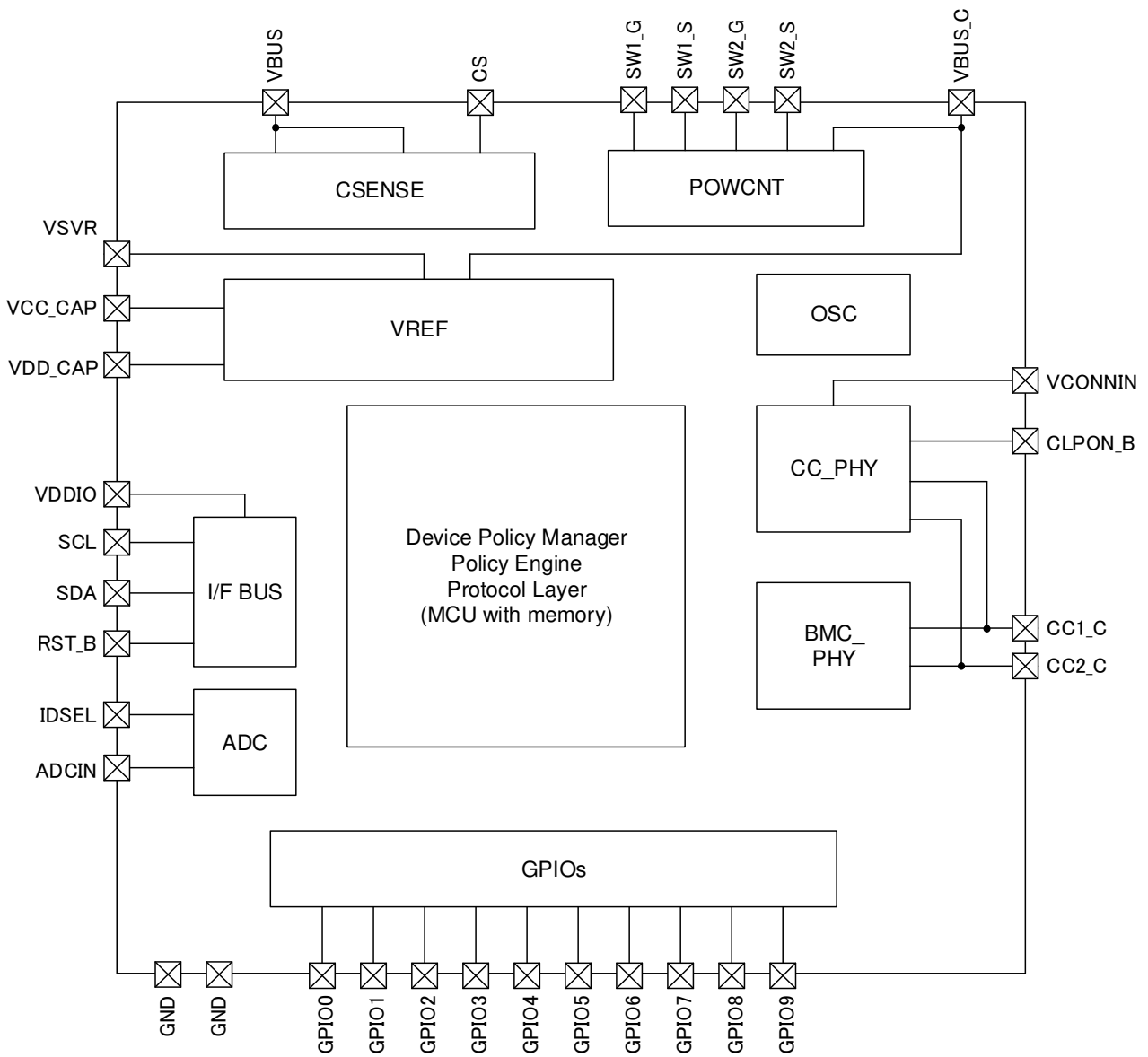
Pin Configuration



Pin Description

Pin No.	Pin Name	Function
A1	CC1_C	Configuration channel 1 for Type-C.
A2	TEST1	TEST pin. Short to GND.
A3	TEST2	TEST pin. Short to GND.
A4	SDA	I2C slave data
A5	GPIO0	GPIO
A6	IDSEL	I2C Device ID Select.
B1	VCONNIN	Input power for VCONN
B2	TEST3	TEST pin. Short to GND.
B3	TEST4	TEST pin. Short to GND.
B4	SCL	I2C slave clock
B5	GPIO1	GPIO
B6	VDDIO	GPIO H level voltage input
C1	CC2_C	Configuration channel 2 for Type-C.
C2	CLPON_B	Enable clamper of CC Open: Dead-battery not support, L: Dead-battery support
C3	ADCIN	Input voltage to ADC
C4	GPIO4	GPIO
C5	GPIO3	GPIO
C6	GPIO2	GPIO
D1	GND	Ground
D2	RST_B	System reset signal input
D3	GPIO9	GPIO
D4	GPIO7	GPIO
D5	GPIO5	GPIO
D6	GND	Ground
E1	VDD_CAP	Internal LDO 1.5 V
E2	VCC_CAP	Internal power supply (for internal use only)
E3	SW2_S	Power path FET BG/SRC voltage
E4	SW1_S	Power path FET BG/SRC voltage
E5	CS	Current monitor input
E6	GPIO8	GPIO
F1	VSVR	Power supply from 3.3 V / 5 V system voltage rail
F2	VBUS_C	Power supply from VBUS for Type-C
F3	SW2_G	Power path FET gate control
F4	SW1_G	Power path FET gate control
F5	VBUS	VBUS Current/Voltage Monitor Input
F6	GPIO6	GPIO

Block Diagram



Description of Block

(VREF)

VREF block is internal power source circuit of this LSI with the UVLO (Under Voltage Lock Out) function. The main power input is VSVR. And for supporting dead battery operation, VBUS_C can become power source of this LSI when VSVR does not exist. VREF block monitors VSVR and VBUS_C, and chooses an appropriate power supply by detecting normal condition or dead battery condition. From the voltage which it selected, it generates VCC_CAP and VDD_CAP for internal circuits.

(OSC)

OSC block is reference clock circuit of this LSI. This LSI does not need any external clock sources.

(I/F BUS)

I/F Bus block have I2C Slave for Host Control. The I2C Slave is intended to communicate with HOST MCU such as the EC.

(Device Policy Manager)

Device Policy Manager manages USB Type-C Power Delivery operation. It is constructed in internal MCU and program memory. It is accessible using Host IF Bus from external host MCU. And the writing access to program memory is possible from Host IF Bus.

(Policy Engine / Protocol Layer)

Policy Engine and Protocol Layer perform USB Power Delivery operation. These blocks are constructed in internal MCU and the program memory in the same way as Device Policy Manager.

(CC_PHY)

CC_PHY is a physical layer of USB Type-C. It supports the following function.
Dual Role Port (Dual Role Data and Dual Role Power).
Pull-up Current Source (for USB default / 1.5 A / 3.0 A).
Pull-down Resistor for Up Facing Port (UFP).
The CC1_C pin and the CC2_C pin clamper for dead battery.
VCONN output select switch for E-marked IC.
VBUS Detecting.

(BMC_PHY)

BMC_PHY is a physical layer of USB Power Delivery. By control from Protocol Layer, it performs coding, decoding and judgment of CRC and communicates Base Band PD signal.

(POWCNT)

POWCNT block is power path control circuit of VBUS and can monitor VBUS voltage. It has two gate drivers for Nch MOSFET switch, high withstand discharge switch for VBUS and over voltage protection (OVP).

(ADC)

ADC block is a general-purpose ADC. It is used for the monitoring of various operating states. Monitoring object is external input voltage for thermistor circuit, VBUS voltage, system Voltage, die temperature and source current

(CSENSE)

CSENSE can perform monitoring VBUS current on the high side of the VBUS power lane.

Absolute Maximum Ratings (Ta = 25 °C)

Parameter	Symbol	Rating	Unit
Supply Voltage [V _{SVR}]	V _{SVR}	-0.3 to +6.0	V
VBUS_C Voltage [V _B]	V _B	-0.3 to +28	V
I/O Voltage [V _{DDIO}]	V _{DDIO}	-0.3 to V _{SVR}	V
Maximum Junction Temperature	T _{jmax}	+150	°C
Storage Temperature Range	T _{stg}	-55 to +150	°C
SW1_S, SW2_S Voltage	V _{SRC}	-0.3 to +22	V
SW1_G, SW2_G Voltage	V _{DRV}	-0.3 to +28	V
SW1_G – SW1_S, SW2_G – SW2_S Voltage	V _{GS}	-0.3 to +6.0	V
VBUS – CS Voltage	V _{CS}	-0.2 to +0.186	V
VBUS, CS Voltage	V _{HV}	-0.3 to +28	V
VCC_CAP, VDD_CAP, ADCIN Voltage	V _{LV}	-0.3 to +2.1	V
All Other Pins	V _{OTH}	-0.3 to +6.0	V

Caution 1: Operating the IC over the absolute maximum ratings may damage the IC. The damage can either be a short circuit between pins or an open circuit between pins and the internal circuitry. Therefore, it is important to consider circuit protection measures, such as adding a fuse, in case the IC is operated over the absolute maximum ratings.

Caution 2: Should by any chance the maximum junction temperature rating be exceeded the rise in temperature of the chip may result in deterioration of the properties of the chip. In case of exceeding this absolute maximum rating, design a PCB with thermal resistance taken into consideration by increasing board size and copper area so as not to exceed the maximum junction temperature rating.

Thermal Resistance (Note 1)

Parameter	Symbol	Thermal Resistance (Typ)	Unit
		2s2p ^(Note 3)	
UCSP50L2C			
Junction to Ambient	θ_{JA}	63.60	°C/W
Junction to Top Characterization Parameter ^(Note 2)	Ψ_{JT}	4.00	°C/W

(Note 1) Based on JE51-2A (Still-Air).

(Note 2) The thermal characterization parameter to report the difference between junction temperature and the temperature at the top center of the outside surface of the component package.

(Note 3) Using a PCB board based on JE51-9.

Layer Number of Measurement Board	Material	Board Size
4 Layers	FR-4	114.5 mm x 101.5 mm x 1.6 mm

Top		2 Internal Layers		Bottom	
Copper Pattern	Thickness	Copper Pattern	Thickness	Copper Pattern	Thickness
Footprints and Traces	70 μ m	99.5 mm x 99.5 mm	35 μ m	99.5 mm x 99.5 mm	70 μ m

Recommended Operating Conditions

Parameter	Symbol	Min	Typ	Max	Unit
Operating Temperature	Topr	-30	+25	+85	°C
VSVR Voltage	V _{SVR}	3.1	3.3	5.5	V
VCONNIN Voltage	V _{CONN}	4.9	-	5.5	V
VBUS_C Voltage	V _B	3.67	-	22	V
VDDIO Voltage	V _{DDIO}	1.7	3.3	5.5	V

Internal Memory Cell Characteristics (Unless otherwise specified V_{SVR} = V_{DDIO} = 3.3 V, V_B = 5.0 V)

Parameter	Symbol	Min	Typ	Max	Unit	Conditions
Data rewriting number (Note 4)	M _{RW}	100	-	-	cycles	Ta = -30 °C to +85 °C
Data retention life (Note 5)	M _{RI}	20	-	-	years	Ta = -30 °C to +85 °C

(Note 4) BD93E11GWL cannot rewrite FW. ROHM cannot guarantee if FW rewriting.

(Note 5) Not 100% Tested.

Electrical Characteristics (Unless otherwise specified V_{SVR} = V_{DDIO} = 3.3 V, V_B = 5.0 V, Ta = 25 °C)

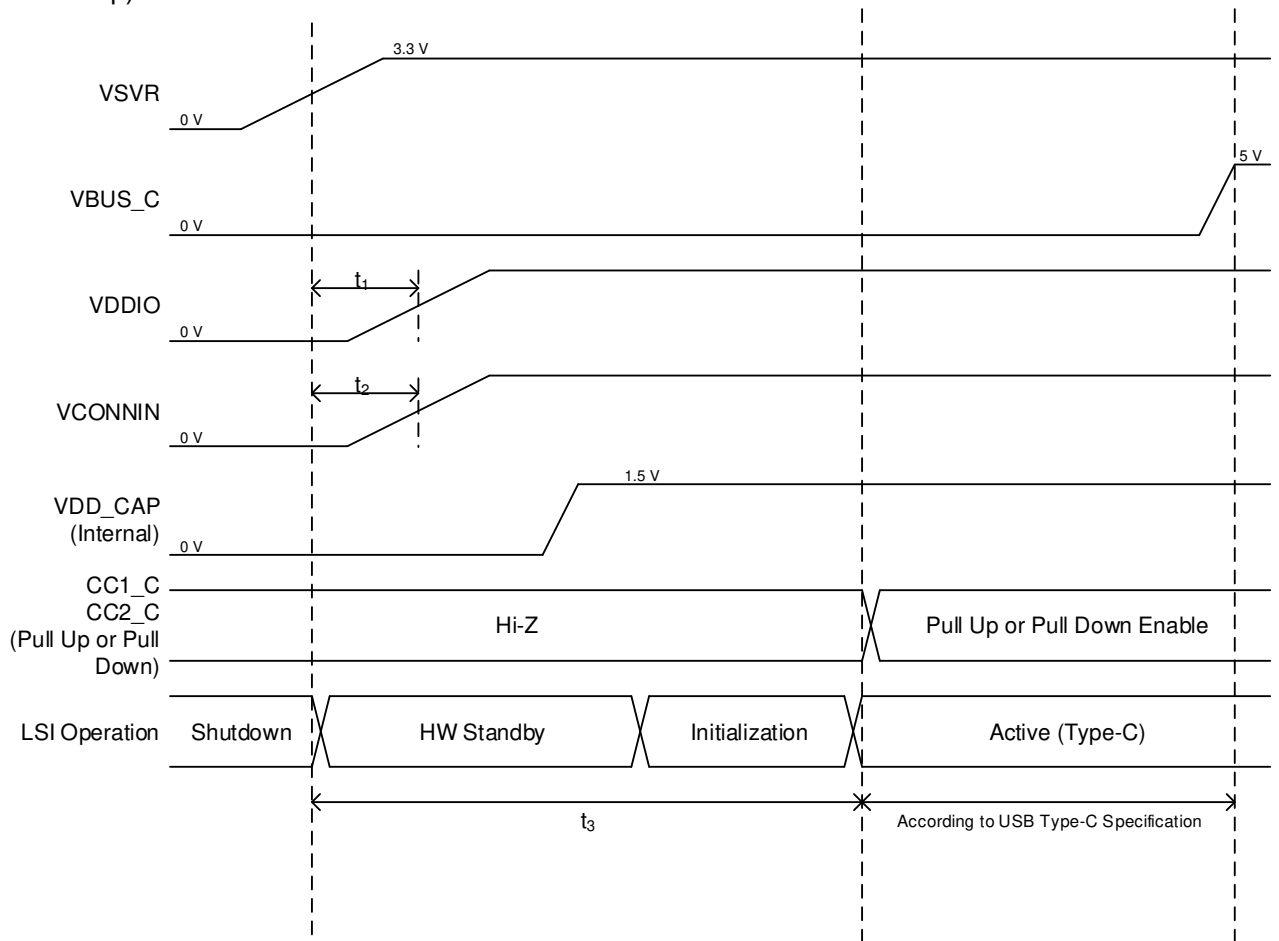
Parameter	Symbol	Min	Typ	Max	Unit	Conditions
Current Consumption						
Shutdown Current	I _{SD}	-	-	190	μA	RST_B = "L" V _{SVR} Current
Stop Current	I _{SP}	-	200	-	μA	USB-C Un-Attached V _{SVR} Current The option function stops.
Standby Current	I _{ST}	-	2	-	mA	USB-C Attached, PD Standby V _{SVR} Current
VREF						
VCC_CAP Voltage	V _{CCIN}	-	3.3	-	V	Standby
VDD_CAP Output Voltage	V _{15D}	-	1.5	-	V	Standby
VSVR UVLO release	V _{DBSVR}	-	-	3.10	V	
VBUS_C UVLO release	V _{BUSDET}	-	-	3.67	V	
VDDIO UVLO release	V _{DBDDIO}	-	1.0	1.7	V	
Digital DC Characteristics (GPIOx: x = 0 to 9, SDA/SCL)						
Input "H" Voltage 1	V _{IH1}	0.8 x V _{DDIO}	-	V _{DDIO} + 0.3	V	
Input "L" Voltage 1	V _{IL1}	-0.3	-	0.2 x V _{DDIO}	V	
Input Leak Current 1	I _{IL1}	-5	0	+5	μA	
Output "H" Voltage 1	V _{OH1}	0.85 x V _{DDIO}	-	-	V	IL = 1 mA
Digital DC Characteristics (GPIOx: x = 2 to 9)						
Output "L" Voltage 1	V _{OL1}	-	-	0.3	V	IL = -1 mA
Digital DC Characteristics (GPIOx: x = 0 to 1, SDA/SCL)						
Output "L" Voltage 2	V _{OL2}	-	-	0.4	V	IL = -3 mA
Digital AC Characteristics (GPIOx: x = 0 to 1, SDA/SCL)						
SCL Frequency	f _{SCL}	0	-	400	kHz	

Electrical Characteristic (Unless otherwise specified VSVR = VDDIO = 3.3 V, VB = 5.0 V, Ta = 25 °C) – continued

Parameter	Symbol	Min	Typ	Max	Unit	Conditions
CC_PHY						
Pull-up Current (USB default)	I _{IP1}	64	80	96	μA	
Pull-up Current (1.5 A mode)	I _{IP2}	166	180	194	μA	
Pull-up Current (3.0 A mode)	I _{IP3}	304	330	356	μA	
Pull-down Resistor	R _{RD}	4.6	5.1	5.6	kΩ	
VCONN						
SW On Resistor	R _{ONVC}	-	1.2	-	Ω	
Current Limit 1	I _{LIMVC1}	300	400	-	mA	
Current Limit 2	I _{LIMVC2}	600	800	-	mA	
Voltage Measurement						
VBUS_C / VBUS Voltage Measurement Range	V _{Rv}	0	-	28	V	
External Input Voltage Measurement Range	V _{RIN}	0	-	1.5	V	
CSENCE						
Current Sense Range	I _{CS}	0.1	-	9	A	With 10 mΩ
Measured Current Accuracy	I _{ACC}	-10	-	+10	%	When it measured 8A.
POWCNT						
VBUS_C OVP Detect Accuracy	A _{COVP}	-5	-	+5	%	OVP Detecting Voltage = 6.0 V
Fast Discharge SW on Resistor	R _{ONFAST}	-	510	-	Ω	VBUS_C=1.0 V
Soft Discharge SW on Resistor	R _{ONSFT}	-	200	-	kΩ	VBUS_C=1.0 V
Differential Voltage (between SW1_G and SW1_S, or SW2_G and SW2_S)	V _{GDRV}	-	5.5	-	V	SWx_S = 5.0 V

Timing Chart

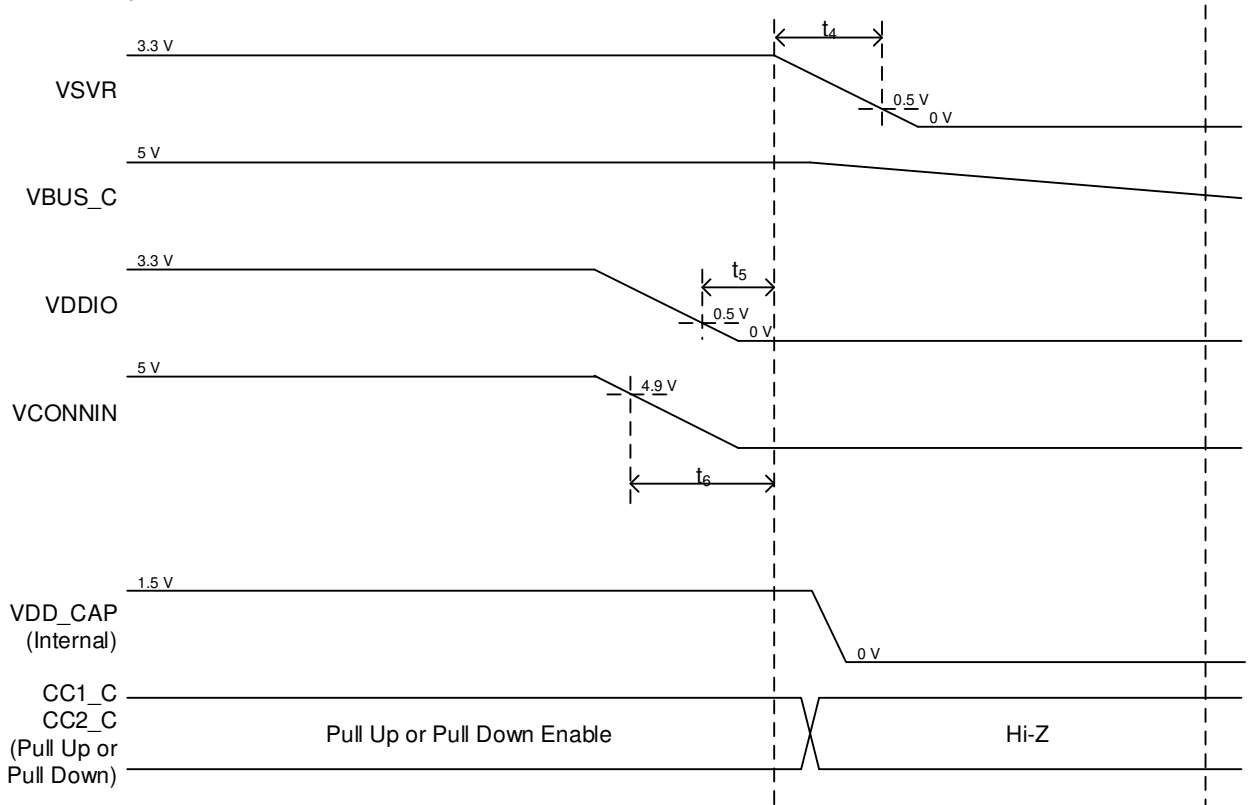
(Normal Wakeup)



Timing Characteristic (Ta = 25°C)

Parameter	Symbol	Min	Typ	Max	Unit	Conditions
VDDIO Input Timing from VSVR Input	t ₁	0	-	-	ms	
VCONNIN Input Timing from VSVR Input	t ₂	0	-	-	ms	
LSI Wakeup Time	t ₃	-	-	100	ms	Not emergency operating. I2C (master) is disable.

Timing Chart - continued
(Normal Shutdown)



Timing Characteristic (Ta = 25°C)

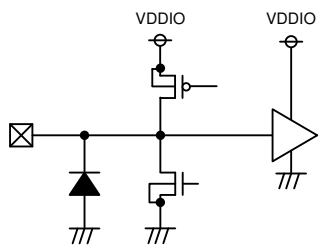
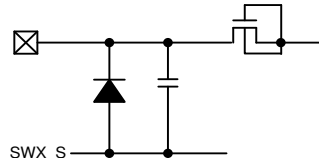
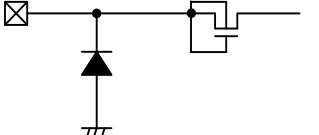
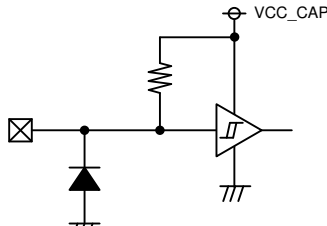
Parameter	Symbol	Min	Typ	Max	Unit	Conditions
VSVR Falling Time	t ₄	-	-	400	ms	

As for the timing of t₅ and t₆, it is arbitrary. But LSI may not maintain action of USB Type-C PD when it is lost during LSI action.

I/O Equivalence Circuits

PIN No.	Pin Name	Equivalent Circuit Diagram
E2	VCC_CAP	
E1	VDD_CAP	
A1 C1	CC1_C CC2_C	
C2	CLPON_B	
F5	VBUS	
E5	CS	
C3	ADCIN	
A6	IDSEL	

I/O Equivalence Circuits - continued

<p>A4 B4 A5 B5 C6 C5 C4 D5 F6 D4 E6 D3</p>	<p>SDA SCL GPIO0 GPIO1 GPIO2 GPIO3 GPIO4 GPIO5 GPIO6 GPIO7 GPIO8 GPIO9</p>	
<p>F4 F3</p>	<p>SW1_G SW2_G</p>	
<p>E4 E3</p>	<p>SW1_S SW2_S</p>	
<p>D2</p>	<p>RST_B</p>	

Operational Notes

1. Reverse Connection of Power Supply

Connecting the power supply in reverse polarity can damage the IC. Take precautions against reverse polarity when connecting the power supply, such as mounting an external diode between the power supply and the IC's power supply pins.

2. Power Supply Lines

Design the PCB layout pattern to provide low impedance supply lines. Separate the ground and supply lines of the digital and analog blocks to prevent noise in the ground and supply lines of the digital block from affecting the analog block. Furthermore, connect a capacitor to ground at all power supply pins. Consider the effect of temperature and aging on the capacitance value when using electrolytic capacitors.

3. Ground Voltage

Ensure that no pins are at a voltage below that of the ground pin at any time, even during transient condition.

4. Ground Wiring Pattern

When using both small-signal and large-current ground traces, the two ground traces should be routed separately but connected to a single ground at the reference point of the application board to avoid fluctuations in the small-signal ground caused by large currents. Also ensure that the ground traces of external components do not cause variations on the ground voltage. The ground lines must be as short and thick as possible to reduce line impedance.

5. Recommended Operating Conditions

The function and operation of the IC are guaranteed within the range specified by the recommended operating conditions. The characteristic values are guaranteed only under the conditions of each item specified by the electrical characteristics.

6. Inrush Current

When power is first supplied to the IC, it is possible that the internal logic may be unstable and inrush current may flow instantaneously due to the internal powering sequence and delays, especially if the IC has more than one power supply. Therefore, give special consideration to power coupling capacitance, power wiring, width of ground wiring, and routing of connections.

7. Testing on Application Boards

When testing the IC on an application board, connecting a capacitor directly to a low-impedance output pin may subject the IC to stress. Always discharge capacitors completely after each process or step. The IC's power supply should always be turned off completely before connecting or removing it from the test setup during the inspection process. To prevent damage from static discharge, ground the IC during assembly and use similar precautions during transport and storage.

8. Inter-pin Short and Mounting Errors

Ensure that the direction and position are correct when mounting the IC on the PCB. Incorrect mounting may result in damaging the IC. Avoid nearby pins being shorted to each other especially to ground, power supply and output pin. Inter-pin shorts could be due to many reasons such as metal particles, water droplets (in very humid environment) and unintentional solder bridge deposited in between pins during assembly to name a few.

9. Unused Input Pins

Input pins of an IC are often connected to the gate of a MOS transistor. The gate has extremely high impedance and extremely low capacitance. If left unconnected, the electric field from the outside can easily charge it. The small charge acquired in this way is enough to produce a significant effect on the conduction through the transistor and cause unexpected operation of the IC. So unless otherwise specified, unused input pins should be connected to the power supply or ground line.

Operational Notes – continued

10. Regarding the Input Pin of the IC

This monolithic IC contains P+ isolation and P substrate layers between adjacent elements in order to keep them isolated. P-N junctions are formed at the intersection of the P layers with the N layers of other elements, creating a parasitic diode or transistor. For example (refer to figure below):

When $GND > Pin A$ and $GND > Pin B$, the P-N junction operates as a parasitic diode.

When $GND > Pin B$, the P-N junction operates as a parasitic transistor.

Parasitic diodes inevitably occur in the structure of the IC. The operation of parasitic diodes can result in mutual interference among circuits, operational faults, or physical damage. Therefore, conditions that cause these diodes to operate, such as applying a voltage lower than the GND voltage to an input pin (and thus to the P substrate) should be avoided.

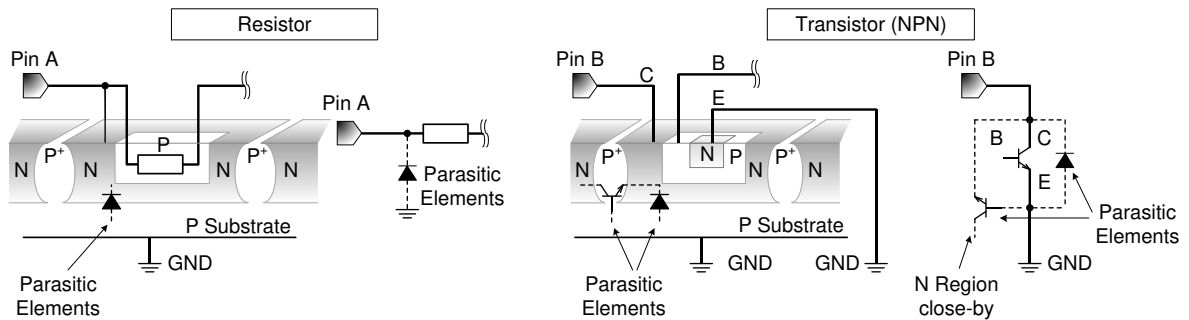


Figure 1. Example of Monolithic IC Structure

11. Ceramic Capacitor

When using a ceramic capacitor, determine a capacitance value considering the change of capacitance with temperature and the decrease in nominal capacitance due to DC bias and others.

12. Thermal Shutdown Circuit (TSD)

This IC has a built-in thermal shutdown circuit that prevents heat damage to the IC. Normal operation should always be within the IC's maximum junction temperature rating. If however the rating is exceeded for a continued period, the junction temperature (T_j) will rise which will activate the TSD circuit that will turn OFF power output pins. When the T_j falls below the TSD threshold, the circuits are automatically restored to normal operation.

Note that the TSD circuit operates in a situation that exceeds the absolute maximum ratings and therefore, under no circumstances, should the TSD circuit be used in a set design or for any purpose other than protecting the IC from heat damage.

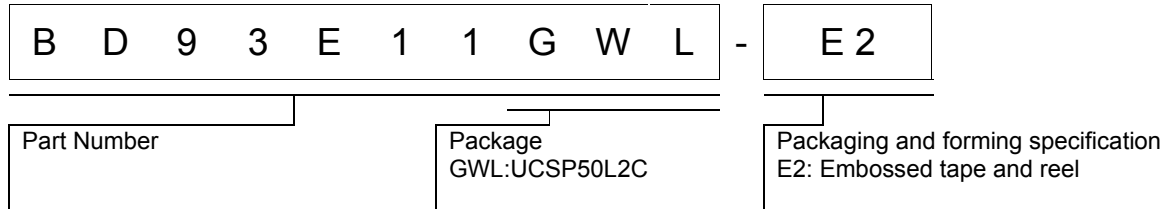
13. Over Current Protection Circuit (OCP)

This IC incorporates an integrated overcurrent protection circuit that is activated when the load is shorted. This protection circuit is effective in preventing damage due to sudden and unexpected incidents. However, the IC should not be used in applications characterized by continuous operation or transitioning of the protection circuit.

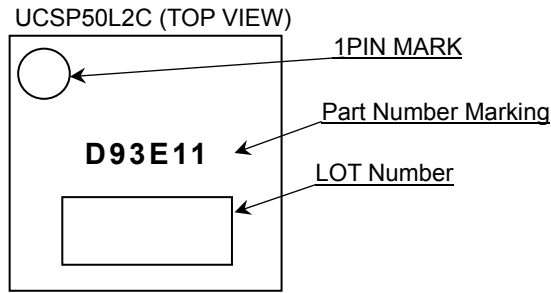
14. Disturbance Light

In a device where a portion of silicon is exposed to light such as in a WL-CSP and chip products, IC characteristics may be affected due to photoelectric effect. For this reason, it is recommended to come up with countermeasures that will prevent the chip from being exposed to light.

Ordering Information

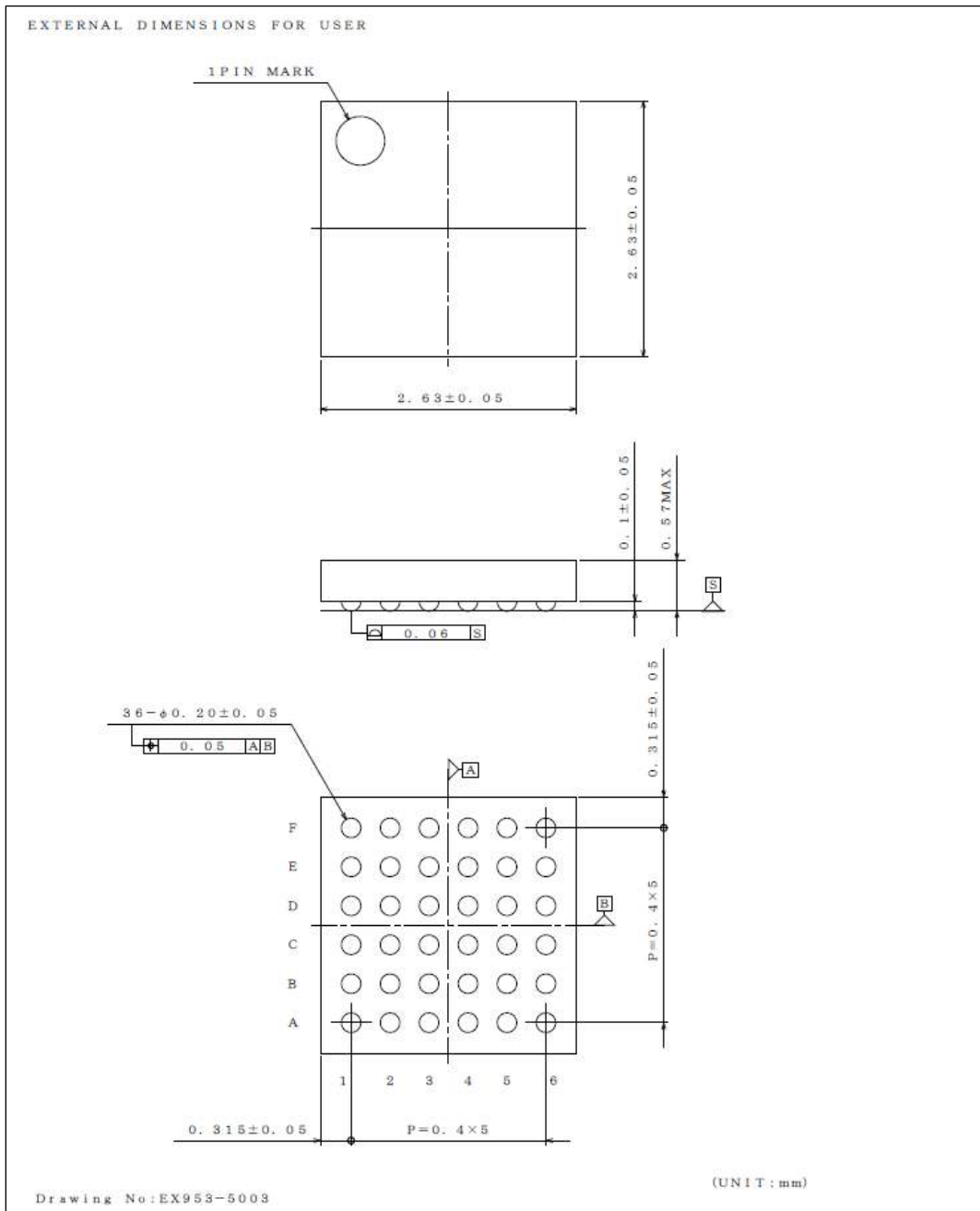


Marking Diagram



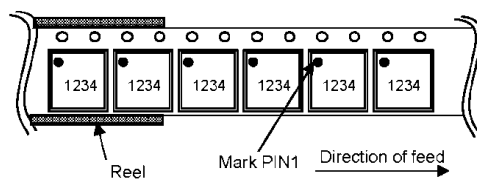
Physical Dimension and Packing Information

Package Name	UCSP50L2C (BD93E11GWL)
--------------	------------------------



< Tape and Reel Information >

Tape	Embossed carrier tape
Quantity	3000pcs
Direction of feed	E2 The direction is the pin 1 of product is at the upper left when you hold reel on the left hand and you pull out the tape on the right hand



Revision History

Date	Revision	Changes
03.Mar.2021	001	New Release

Notice

Precaution on using ROHM Products

- Our Products are designed and manufactured for application in ordinary electronic equipment (such as AV equipment, OA equipment, telecommunication equipment, home electronic appliances, amusement equipment, etc.). If you intend to use our Products in devices requiring extremely high reliability (such as medical equipment ^(Note 1), transport equipment, traffic equipment, aircraft/spacecraft, nuclear power controllers, fuel controllers, car equipment including car accessories, safety devices, etc.) and whose malfunction or failure may cause loss of human life, bodily injury or serious damage to property ("Specific Applications"), please consult with the ROHM sales representative in advance. Unless otherwise agreed in writing by ROHM in advance, ROHM shall not be in any way responsible or liable for any damages, expenses or losses incurred by you or third parties arising from the use of any ROHM's Products for Specific Applications.

(Note1) Medical Equipment Classification of the Specific Applications

JAPAN	USA	EU	CHINA
CLASS III	CLASS III	CLASS II b	CLASS III
CLASS IV		CLASS III	

- ROHM designs and manufactures its Products subject to strict quality control system. However, semiconductor products can fail or malfunction at a certain rate. Please be sure to implement, at your own responsibilities, adequate safety measures including but not limited to fail-safe design against the physical injury, damage to any property, which a failure or malfunction of our Products may cause. The following are examples of safety measures:
 - Installation of protection circuits or other protective devices to improve system safety
 - Installation of redundant circuits to reduce the impact of single or multiple circuit failure
- Our Products are designed and manufactured for use under standard conditions and not under any special or extraordinary environments or conditions, as exemplified below. Accordingly, ROHM shall not be in any way responsible or liable for any damages, expenses or losses arising from the use of any ROHM's Products under any special or extraordinary environments or conditions. If you intend to use our Products under any special or extraordinary environments or conditions (as exemplified below), your independent verification and confirmation of product performance, reliability, etc. prior to use, must be necessary:
 - Use of our Products in any types of liquid, including water, oils, chemicals, and organic solvents
 - Use of our Products outdoors or in places where the Products are exposed to direct sunlight or dust
 - Use of our Products in places where the Products are exposed to sea wind or corrosive gases, including Cl₂, H₂S, NH₃, SO₂, and NO₂
 - Use of our Products in places where the Products are exposed to static electricity or electromagnetic waves
 - Use of our Products in proximity to heat-producing components, plastic cords, or other flammable items
 - Sealing or coating our Products with resin or other coating materials
 - Use of our Products without cleaning residue of flux (Exclude cases where no-clean type fluxes is used. However, recommend sufficiently about the residue.) ; or Washing our Products by using water or water-soluble cleaning agents for cleaning residue after soldering
 - Use of the Products in places subject to dew condensation
- The Products are not subject to radiation-proof design.
- Please verify and confirm characteristics of the final or mounted products in using the Products.
- In particular, if a transient load (a large amount of load applied in a short period of time, such as pulse, is applied, confirmation of performance characteristics after on-board mounting is strongly recommended. Avoid applying power exceeding normal rated power; exceeding the power rating under steady-state loading condition may negatively affect product performance and reliability.
- De-rate Power Dissipation depending on ambient temperature. When used in sealed area, confirm that it is the use in the range that does not exceed the maximum junction temperature.
- Confirm that operation temperature is within the specified range described in the product specification.
- ROHM shall not be in any way responsible or liable for failure induced under deviant condition from what is defined in this document.

Precaution for Mounting / Circuit board design

- When a highly active halogenous (chlorine, bromine, etc.) flux is used, the residue of flux may negatively affect product performance and reliability.
- In principle, the reflow soldering method must be used on a surface-mount products, the flow soldering method must be used on a through hole mount products. If the flow soldering method is preferred on a surface-mount products, please consult with the ROHM representative in advance.

For details, please refer to ROHM Mounting specification

Precautions Regarding Application Examples and External Circuits

1. If change is made to the constant of an external circuit, please allow a sufficient margin considering variations of the characteristics of the Products and external components, including transient characteristics, as well as static characteristics.
2. You agree that application notes, reference designs, and associated data and information contained in this document are presented only as guidance for Products use. Therefore, in case you use such information, you are solely responsible for it and you must exercise your own independent verification and judgment in the use of such information contained in this document. ROHM shall not be in any way responsible or liable for any damages, expenses or losses incurred by you or third parties arising from the use of such information.

Precaution for Electrostatic

This Product is electrostatic sensitive product, which may be damaged due to electrostatic discharge. Please take proper caution in your manufacturing process and storage so that voltage exceeding the Products maximum rating will not be applied to Products. Please take special care under dry condition (e.g. Grounding of human body / equipment / solder iron, isolation from charged objects, setting of ionizer, friction prevention and temperature / humidity control).

Precaution for Storage / Transportation

1. Product performance and soldered connections may deteriorate if the Products are stored in the places where:
 - [a] the Products are exposed to sea winds or corrosive gases, including Cl₂, H₂S, NH₃, SO₂, and NO₂
 - [b] the temperature or humidity exceeds those recommended by ROHM
 - [c] the Products are exposed to direct sunshine or condensation
 - [d] the Products are exposed to high Electrostatic
2. Even under ROHM recommended storage condition, solderability of products out of recommended storage time period may be degraded. It is strongly recommended to confirm solderability before using Products of which storage time is exceeding the recommended storage time period.
3. Store / transport cartons in the correct direction, which is indicated on a carton with a symbol. Otherwise bent leads may occur due to excessive stress applied when dropping of a carton.
4. Use Products within the specified time after opening a humidity barrier bag. Baking is required before using Products of which storage time is exceeding the recommended storage time period.

Precaution for Product Label

A two-dimensional barcode printed on ROHM Products label is for ROHM's internal use only.

Precaution for Disposition

When disposing Products please dispose them properly using an authorized industry waste company.

Precaution for Foreign Exchange and Foreign Trade act

Since concerned goods might be fallen under listed items of export control prescribed by Foreign exchange and Foreign trade act, please consult with ROHM in case of export.

Precaution Regarding Intellectual Property Rights

1. All information and data including but not limited to application example contained in this document is for reference only. ROHM does not warrant that foregoing information or data will not infringe any intellectual property rights or any other rights of any third party regarding such information or data.
2. ROHM shall not have any obligations where the claims, actions or demands arising from the combination of the Products with other articles such as components, circuits, systems or external equipment (including software).
3. No license, expressly or implied, is granted hereby under any intellectual property rights or other rights of ROHM or any third parties with respect to the Products or the information contained in this document. Provided, however, that ROHM will not assert its intellectual property rights or other rights against you or your customers to the extent necessary to manufacture or sell products containing the Products, subject to the terms and conditions herein.

Other Precaution

1. This document may not be reprinted or reproduced, in whole or in part, without prior written consent of ROHM.
2. The Products may not be disassembled, converted, modified, reproduced or otherwise changed without prior written consent of ROHM.
3. In no event shall you use in any way whatsoever the Products and the related technical information contained in the Products or this document for any military purposes, including but not limited to, the development of mass-destruction weapons.
4. The proper names of companies or products described in this document are trademarks or registered trademarks of ROHM, its affiliated companies or third parties.

General Precaution

1. Before you use our Products, you are requested to carefully read this document and fully understand its contents. ROHM shall not be in any way responsible or liable for failure, malfunction or accident arising from the use of any ROHM's Products against warning, caution or note contained in this document.
2. All information contained in this document is current as of the issuing date and subject to change without any prior notice. Before purchasing or using ROHM's Products, please confirm the latest information with a ROHM sales representative.
3. The information contained in this document is provided on an "as is" basis and ROHM does not warrant that all information contained in this document is accurate and/or error-free. ROHM shall not be in any way responsible or liable for any damages, expenses or losses incurred by you or third parties resulting from inaccuracy or errors of or concerning such information.