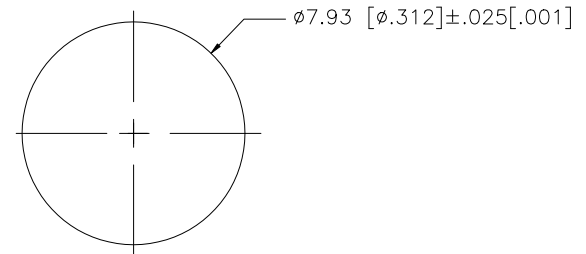
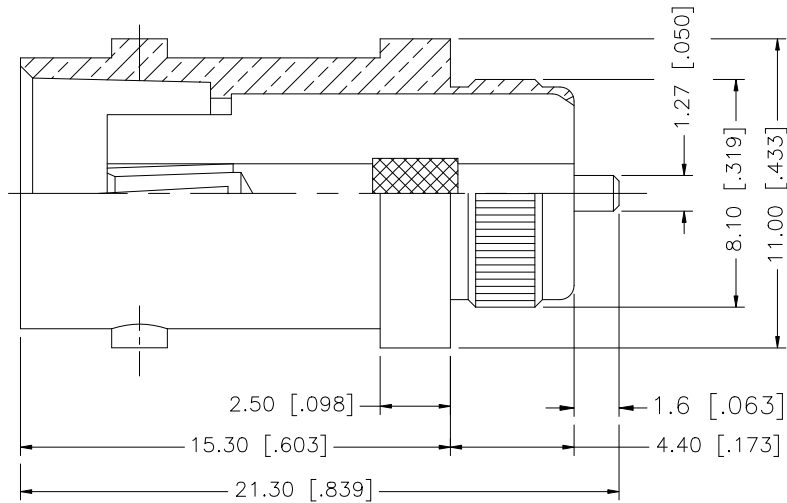


REV.	DATE	ECR NO.	DESCRIPTION
NC	11/19/98	-	INITIAL RELEASE
A	03/09/09	-	UPDATE DRAWING FORMAT



RECOMMENDED
MOUNTING HOLE

REFERENCE NO: 59555

				UNLESS OTHERWISE SPECIFIED DIMENSIONS ARE IN MILLIMETERS. DIMENSIONS IN [] ARE IN INCHES AND FOR CUSTOMER REFERENCE ONLY.	APPROVALS	DATE	Amphenol Connex					
8				UNLESS OTHERWISE SPECIFIED TOLERANCES FOR MILLIMETERS ARE: 0.5 - 8mm ± 0.20mm 8 - 30mm ± 0.40mm 30 - 120mm ± 0.50mm UNLESS OTHERWISE SPECIFIED TOLERANCES FOR INCHES ARE: .020 - .315 = ± 0.007" .315 - 1.180 = ± 0.015" 1.180 - 4.724 = ± 0.020" DO NOT SCALE DRAWING	DRAWN	GRS					03/09/09	PART DESCRIPTION BNC PRESS FIT JACK
7					CHECKED							
6					ISSUED			PART NO. 112607				
5					SHEET	1 OF 1						
4							DWG. NO. 112607.DWG					
3	CONTACT PIN	PHOS. BRONZE	GOLD	1							REV. A	
2	INSULATOR	PTFE	NATURAL	1			SIZE A					
1	BODY	BRASS	NICKEL	1							SCALE NA	
	DESCRIPTION	MATERIAL	FINISH	QTY								
					CAD FILE		C:/112/112607.DWG					