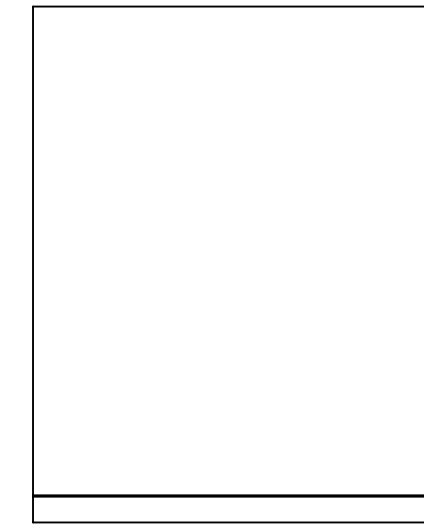
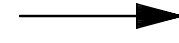
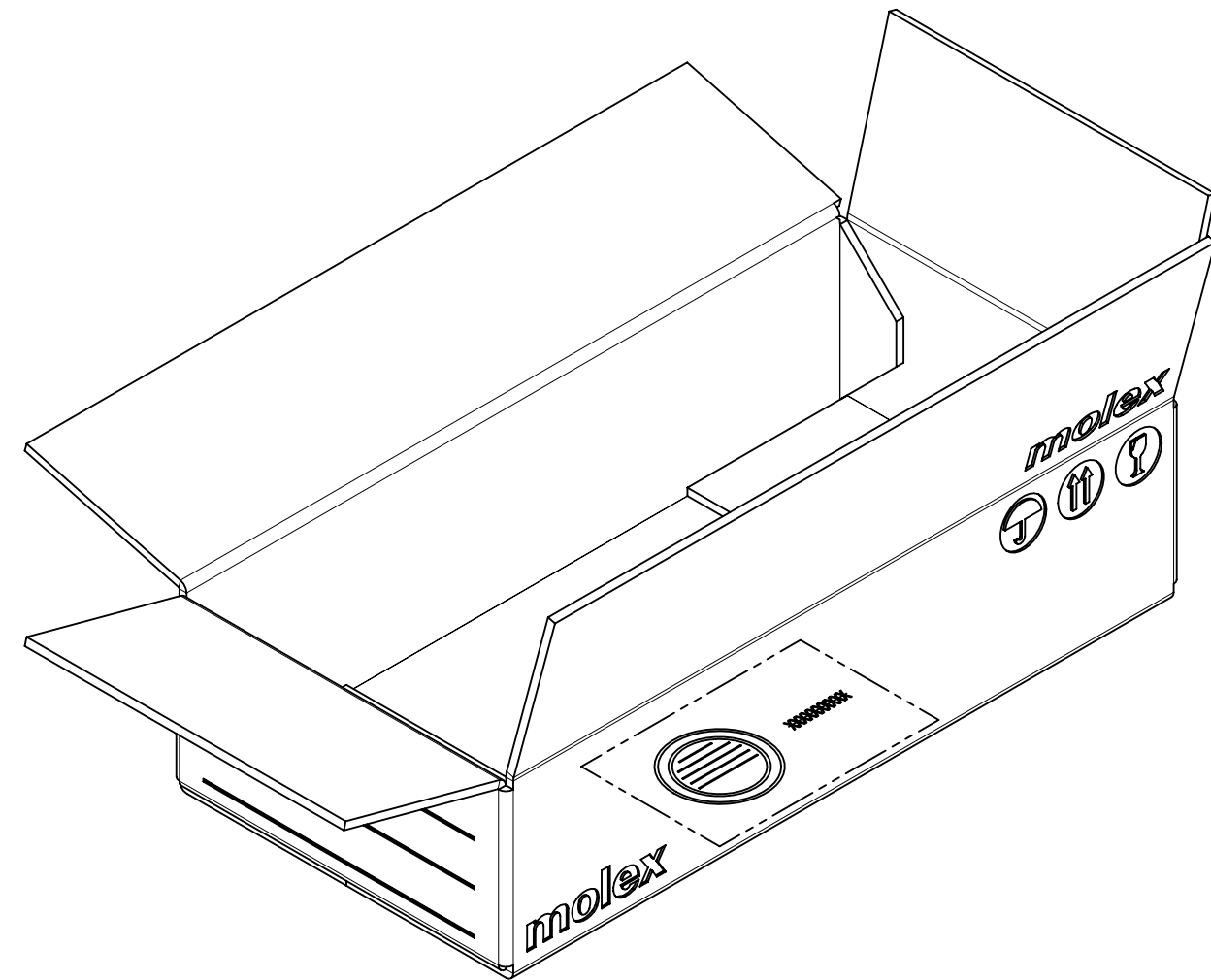


PRODUCT
P/N: XXXXX-XXXX



500 SETS PER BAG



500 SETS PER CARTON BOX

THIS DRAWING CONTAINS INFORMATION THAT IS PROPRIETARY TO MOLEX ELECTRONIC TECHNOLOGIES, LLC AND SHOULD NOT BE USED WITHOUT WRITTEN PERMISSION

DIMENSION UNITS		SCALE		CURRENT REV DESC: NEW RELEASE PER EWR #15848-B				molex			
mm		NTS									
GENERAL TOLERANCES (UNLESS SPECIFIED)								PACKING SPEC 89707-0001 (DU 500) EWR-15848			
ANGULAR TOL ± °				EC NO: 750290				PRODUCT CUSTOMER DRAWING			
4 PLACES ±				DRWN: RYEH 2023/05/18				DOCUMENT NUMBER			
3 PLACES ±				CHK'D: YCHENG 2023/05/24				895420601			
2 PLACES ±				APPR: YCHENG 2023/05/24				DOC TYPE			
1 PLACE ±				INITIAL REVISION:				PSD			
0 PLACES ±				DRWN: RYEH 2023/05/18				DOC PART			
DRAFT WHERE APPLICABLE MUST REMAIN WITHIN DIMENSIONS				THIRD ANGLE PROJECTION				000			
				DRAWING				REVISION			
				C-SIZE				A			
				SERIES				SHEET NUMBER			
				89542				1 OF 1			
				MATERIAL NUMBER				CUSTOMER			
				895420601							

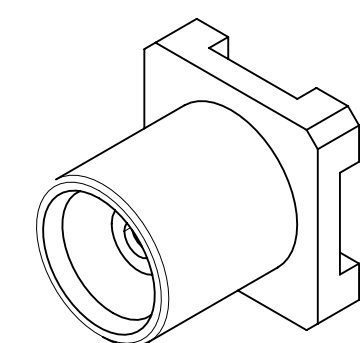
DOCUMENT STATUS	P1	RELEASE DATE	2023/05/24	11:34:25
-----------------	----	--------------	------------	----------

MATERIALS & FINISHES:

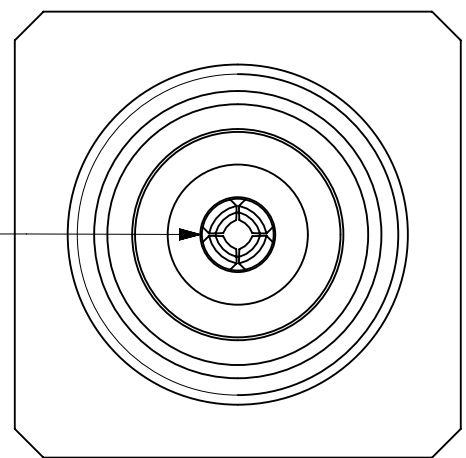
BODY: BRASS
PLATING SEE TABLE

CONTACT: BERYLLIUM COPPER
GOLD (30µ-in MIN)

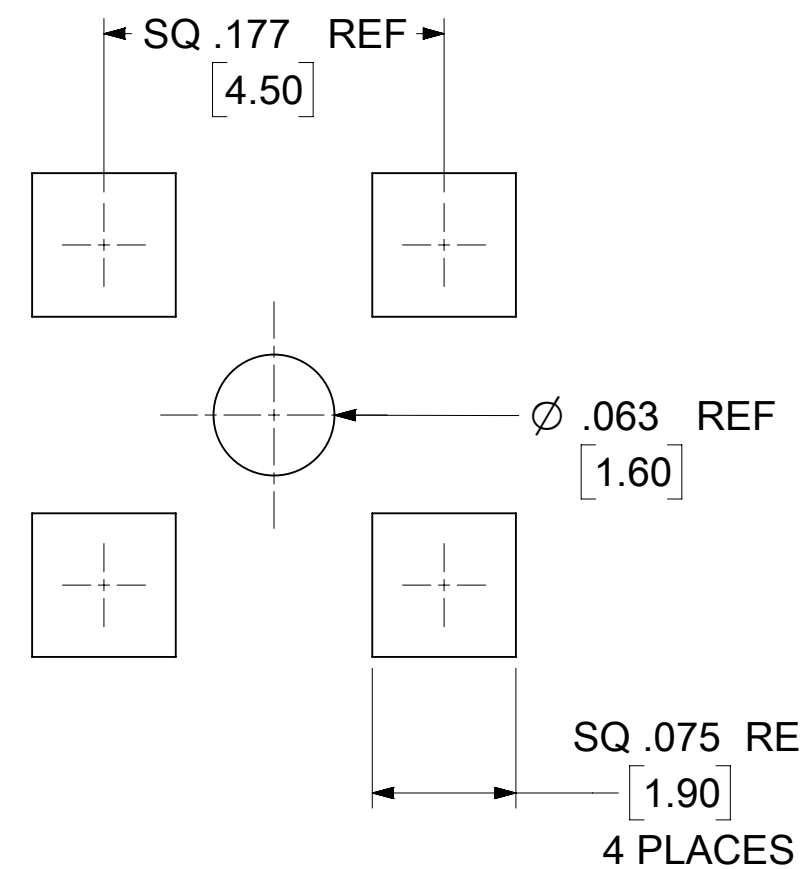
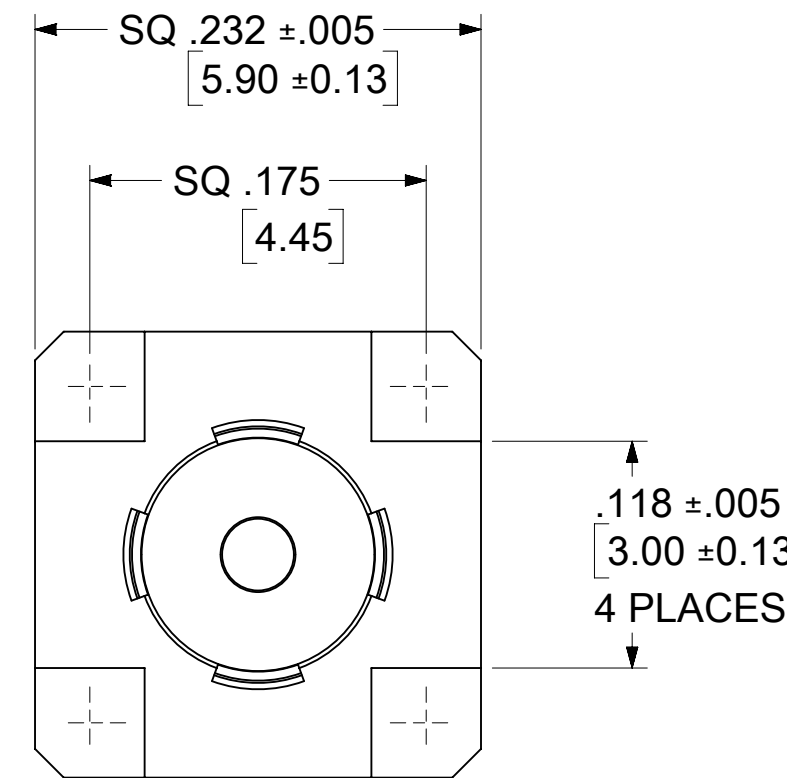
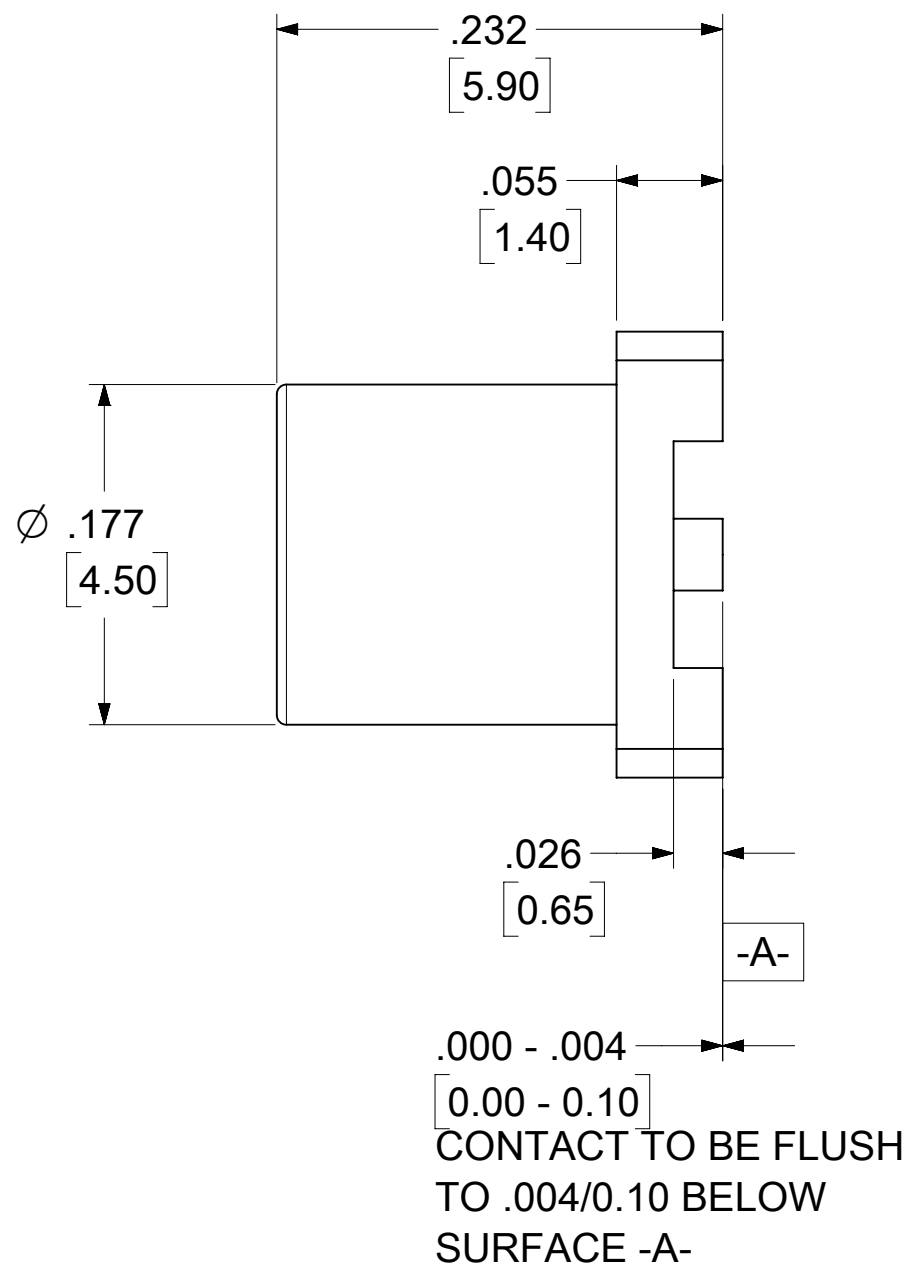
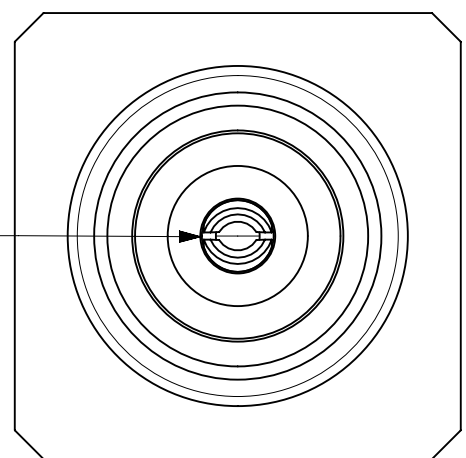
INSULATOR: TEFLON



NOTE:
 73415-1696 & 73415-1697
 WITH 4 SLOTS CONTACT



NOTE:
 73415-1690 & 73415-1691 &
 73415-1692 & 73415-1693 &
 73415-1694 & 73415-1695 &
 73415-1698 & 73415-1699 &
 73366-6510
 WITH 2 SLOTS CONTACT



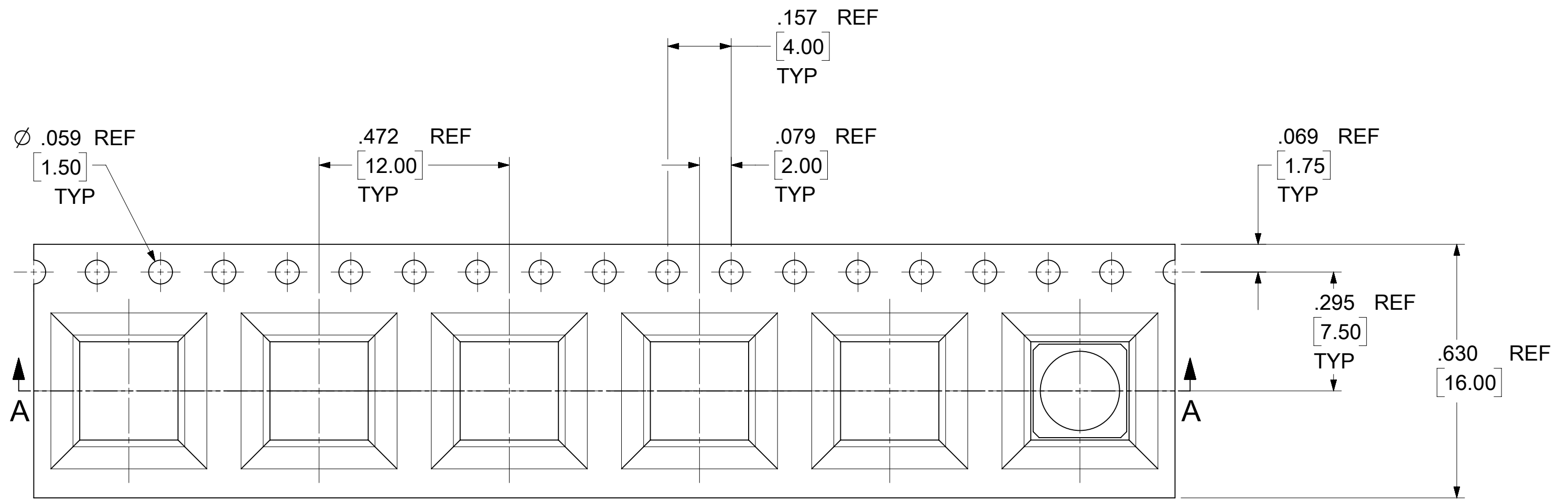
RECOMMENDED MOUNTING PATTERN

73366-6510	GOLD (1µ-in MIN)	2 SLOTS	73415-1691 TAPE & REEL WITH KAPTON	750 PCS PER REEL	SHEET 2, 3 & 4
73415-1699	GOLD (1µ-in MIN)	2 SLOTS	73416-1691 ONE PER BAG	1 PCS PER BAG	895420089
73415-1698	GOLD (30µ-in MIN)	2 SLOTS	73415-1698 TAPE & REEL WITH KAPTON	750 PCS PER REEL	SHEET 2, 3 & 4
73415-1697	GOLD (1µ-in MIN)	4 SLOTS	73415-1696 TAPE & REEL WITH KAPTON	750 PCS PER REEL	SHEET 2, 3 & 4
73415-1696	GOLD (1µ-in MIN)	4 SLOTS	73415-1696 BAG	500 PCS PER BAG	895420601
73415-1695	NICKEL	2 SLOTS	73415-1690 TAPE & REEL WITH KAPTON	750 PCS PER REEL	SHEET 2, 3 & 4
73415-1694	GOLD (1µ-in MIN)	2 SLOTS	73416-1691 SMALL TRAY	20 PCS PER TRAY	895420200
73415-1693	NICKEL	2 SLOTS	73415-1690 SMALL TRAY	20 PCS PER TRAY	895420200
73415-1692	GOLD (1µ-in MIN)	2 SLOTS	73415-1691 TAPE & REEL WITH KAPTON	750 PCS PER REEL	SHEET 2, 3 & 4
73415-1691	GOLD (1µ-in MIN)	2 SLOTS	73415-1691 BAG	500 PCS PER BAG	895420161
73415-1690	NICKEL	2 SLOTS	73415-1690 BAG	500 PCS PER BAG	895420161
PART NO.	BODY PLATING	CONTACT	DESCRIPTION	QUANTITY	PACKING SPEC

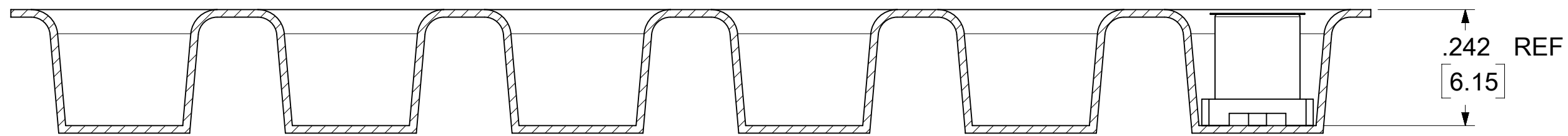
PS-89675-183	ELEC/MECH PERFORMANCE
SPECIFICATION	DESCRIPTION

THIS DRAWING CONTAINS INFORMATION THAT IS PROPRIETARY TO MOLEX ELECTRONIC TECHNOLOGIES, LLC AND SHOULD NOT BE USED WITHOUT WRITTEN PERMISSION

DIMENSION UNITS INCH/MM	SCALE NTS	CURRENT REV DESC: ADD PACKING SPEC PER EWR #15848-A	molex		
GENERAL TOLERANCES (UNLESS SPECIFIED)		EC NO: 750290			
4 PLACES	±	DRWN: RYEH	PRODUCT CUSTOMER DRAWING		
3 PLACES	±	2023/05/10			
2 PLACES	± 0.25	CHK'D: YCHENG	DOC TYPE PSD		
1 PLACE	±	APPR: YCHENG			
0 PLACES	±	2023/05/24	REVISION B7		
ANGULAR TOL	± 2.0 °	INITIAL REVISION:			
DRAFT WHERE APPLICABLE MUST REMAIN WITHIN DIMENSIONS		DRWN: YCHENG	CUSTOMER GENERAL MARKET		
THIRD ANGLE PROJECTION		2007/02/08			
		APPR: MHUANG	SERIES 73415		



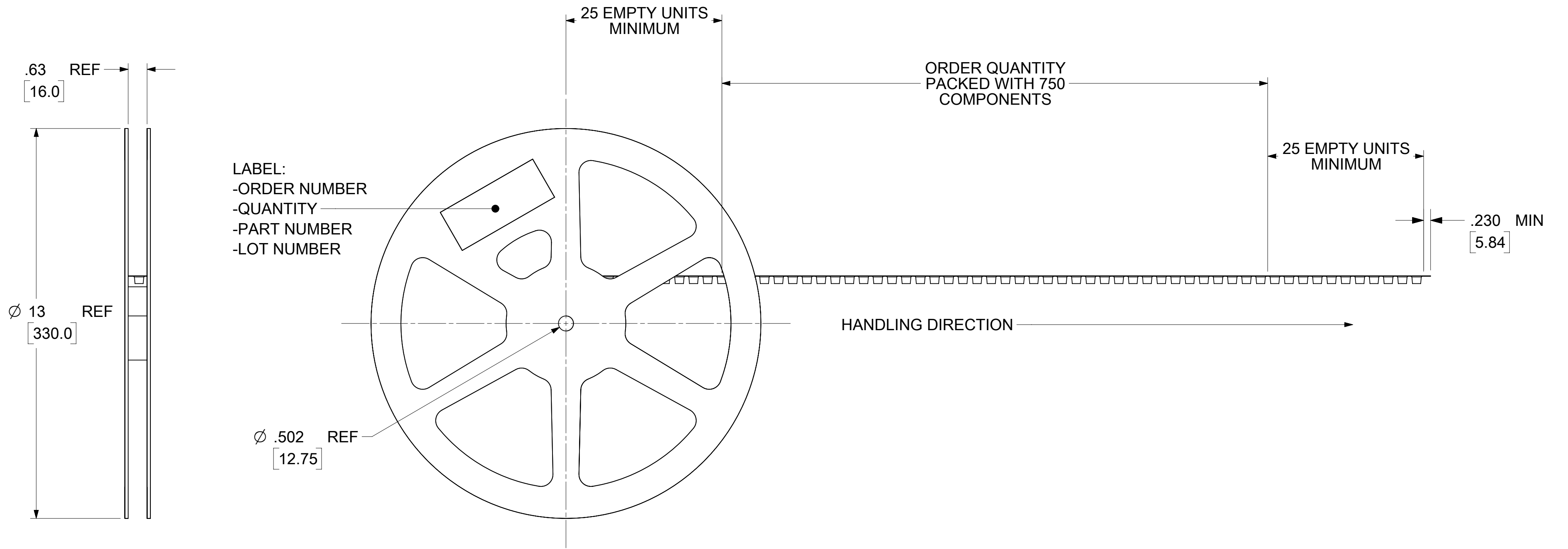
VIEWS FOR 73415-1692 & 73415-1695 & 73415-1697 & 73415-1698 & 73366-6510



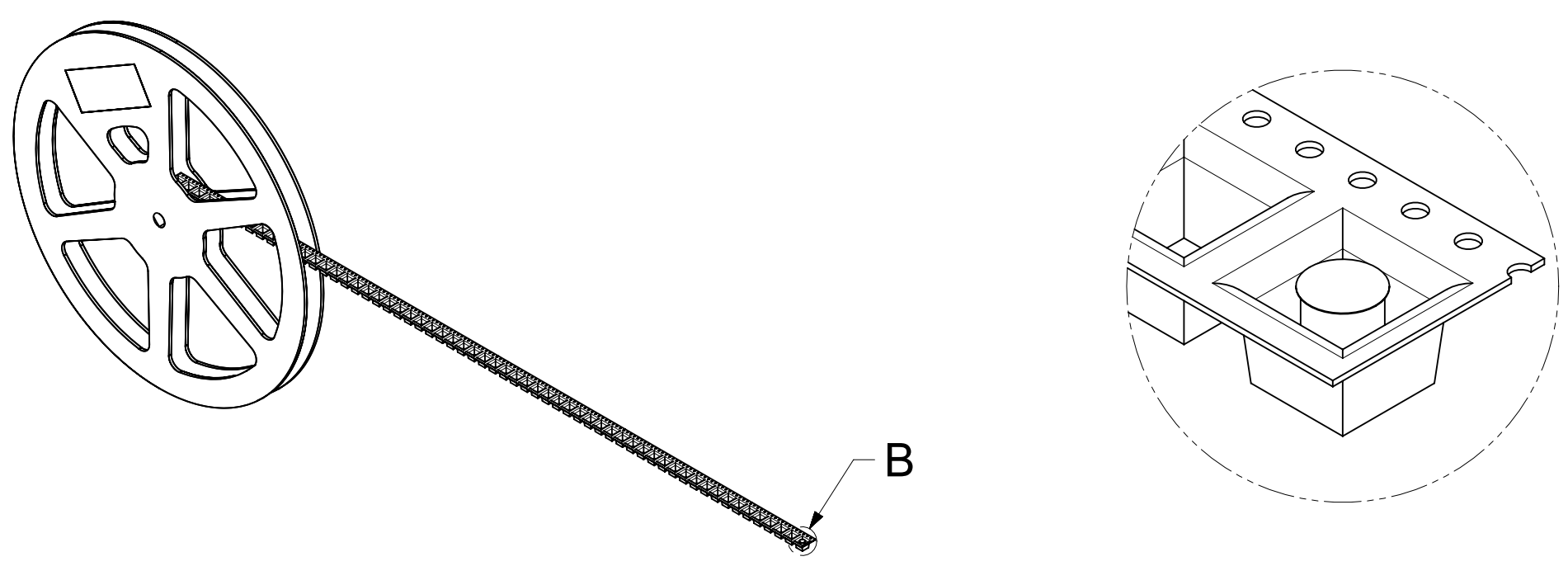
SECTION A-A

THIS DRAWING CONTAINS INFORMATION THAT IS PROPRIETARY TO MOLEX ELECTRONIC TECHNOLOGIES, LLC AND SHOULD NOT BE USED WITHOUT WRITTEN PERMISSION											
DIMENSION UNITS INCH/MM		SCALE NTS		CURRENT REV DESC: ADD PACKING SPEC PER EWR #15848-A			molex				
GENERAL TOLERANCES (UNLESS SPECIFIED)				EC NO: 750290							
				DRWN: RYEH 2023/05/10			MCX PCB/SMT JACK 50 OHM MCX-J/PCB/SMT EWR-1148				
				CHK'D: YCHENG 2023/05/24							
				APPR: YCHENG 2023/05/24			PRODUCT CUSTOMER DRAWING				
				INITIAL REVISION:							
				DRWN: YCHENG 2007/02/08			DOCUMENT NUMBER		DOC TYPE	DOC PART	REVISION
				APPR: MHUANG 2007/02/09			SD-73415-169		PSD	001	B7
DRAFT WHERE APPLICABLE MUST REMAIN WITHIN DIMENSIONS		THIRD ANGLE PROJECTION		DRAWING		SERIES		MATERIAL NUMBER		CUSTOMER	SHEET NUMBER
				C-SIZE		73415		SEE TABLE		GENERAL MARKET	2 OF 4

DOCUMENT STATUS	P1	RELEASE DATE	2023/05/24 11:34:23
-----------------	----	--------------	---------------------



VIEWS FOR 73415-1692 & 73415-1695 & 73415-1697 & 73415-1698 & 73366-6510



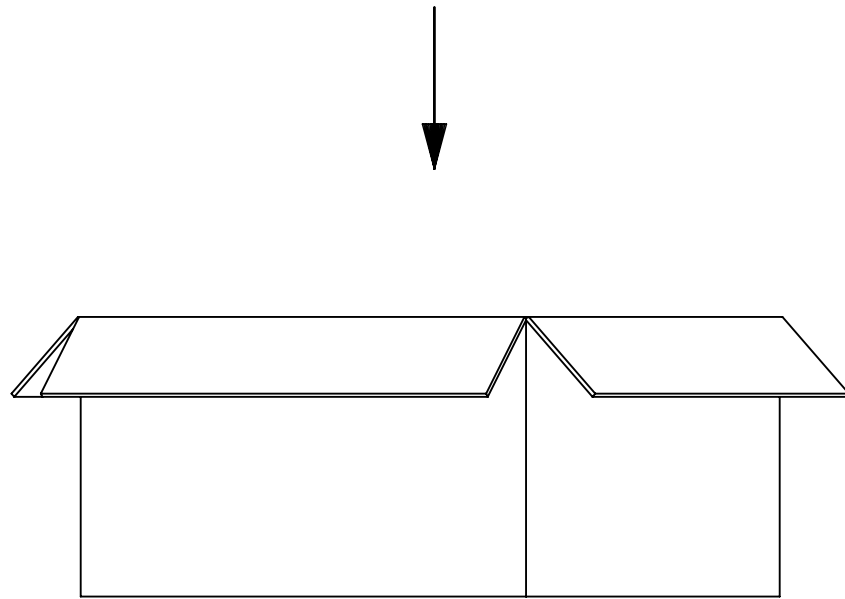
DETAIL B

THIS DRAWING CONTAINS INFORMATION THAT IS PROPRIETARY TO MOLEX ELECTRONIC TECHNOLOGIES, LLC AND SHOULD NOT BE USED WITHOUT WRITTEN PERMISSION									
DIMENSION UNITS INCH/MM		SCALE NTS		CURRENT REV DESC: ADD PACKING SPEC PER EWR #15848-A			molex		
GENERAL TOLERANCES (UNLESS SPECIFIED)		EC NO: 750290			MCX PCB/SMT JACK 50 OHM MCX-J/PCB/SMT EWR-1148				
		MM	INCH	DRWN: RYEH 2023/05/10			PRODUCT CUSTOMER DRAWING		
4 PLACES		±	±	CHK'D: YCHENG 2023/05/24			DOCUMENT NUMBER		
3 PLACES		±	± 0.01	APPR: YCHENG 2023/05/24			SD-73415-169		
2 PLACES		± 0.25	±	INITIAL REVISION:			DOC TYPE DOC PART REVISION		
1 PLACE		±	±	DRWN: YCHENG 2007/02/08			PSD 001 B7		
0 PLACES		±	±	APPR: MHUANG 2007/02/09			MATERIAL NUMBER CUSTOMER SHEET NUMBER		
ANGULAR TOL		± 2.0 °		THIRD ANGLE PROJECTION		DRAWING		SERIES	
DRAFT WHERE APPLICABLE MUST REMAIN WITHIN DIMENSIONS				C-SIZE		73415		SEE TABLE GENERAL MARKET 3 OF 4	

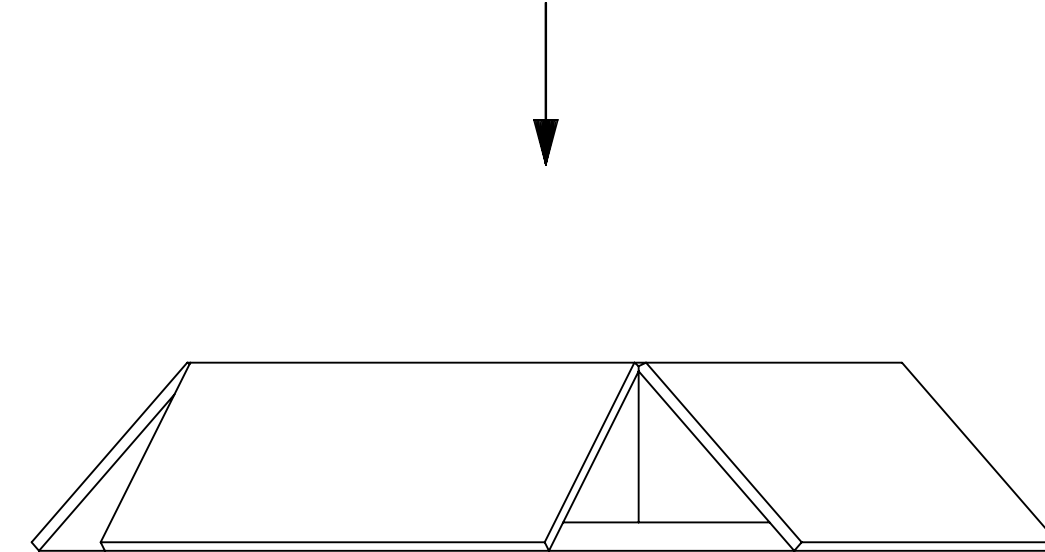
DOCUMENT STATUS	P1	RELEASE DATE	2023/05/24	11:34:23
-----------------	----	--------------	------------	----------

73415-1698	73415-1698 TAPE & REEL WITH KAPTON	750 PCS	6000 PCS
73415-1697	73415-1696 TAPE & REEL WITH KAPTON	750 PCS	6000 PCS
73415-1695	73415-1690 TAPE & REEL WITH KAPTON	750 PCS	6000 PCS
73415-1692	73415-1691 TAPE & REEL WITH KAPTON	750 PCS	6000 PCS
PART NO.	DESCRIPTION	QTY/REEL	QTY/CARTON

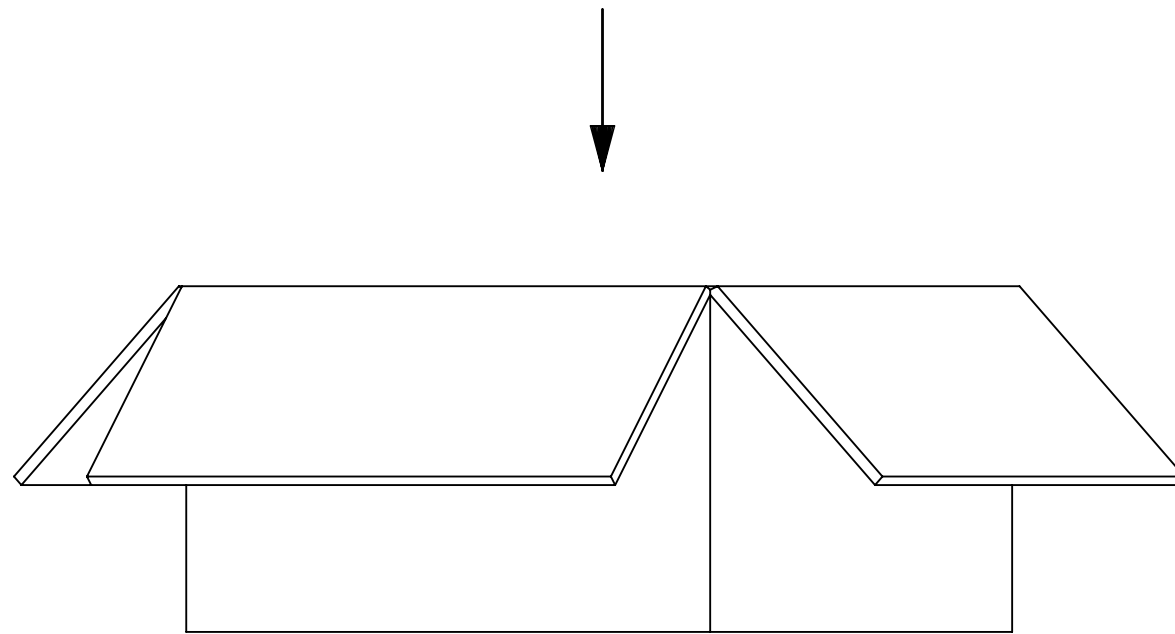
73366-6510	73415-1691 TAPE & REEL WITH KAPTON	750 PCS	750 PCS
PART NO.	DESCRIPTION	QTY/REEL	QTY/CARTON



8 REELS PER INNER CARTON BOX
(8 X 750 = 6000 PCS)



1 REEL PER CARTON BOX
(1 X 750 = 750 PCS)



8 REELS PER OUTER CARTON BOX
(8 X 750 = 6000 PCS)

THIS DRAWING CONTAINS INFORMATION THAT IS PROPRIETARY TO MOLEX ELECTRONIC TECHNOLOGIES, LLC AND SHOULD NOT BE USED WITHOUT WRITTEN PERMISSION										
DIMENSION UNITS		SCALE		CURRENT REV DESC: ADD PACKING SPEC PER EWR #15848-A			molex			
INCH/MM		NTS								
GENERAL TOLERANCES (UNLESS SPECIFIED)				EC NO: 750290			MCX PCB/SMT JACK 50 OHM MCX-J/PCB/SMT EWR-1148			
		MM	INCH	DRWN: RYEH 2023/05/10						
4 PLACES		±	±	CHK'D: YCHENG 2023/05/24			PRODUCT CUSTOMER DRAWING			
3 PLACES		±	± 0.01	APPR: YCHENG 2023/05/24						
2 PLACES		±	0.25	INITIAL REVISION:			DOCUMENT NUMBER			
1 PLACE		±	±	DRWN: YCHENG 2007/02/08						SD-73415-169
0 PLACES		±	±	APPR: MHUANG 2007/02/09			DOC TYPE			
ANGULAR TOL		±	2.0 °	THIRD ANGLE PROJECTION						DOC PART
DRAFT WHERE APPLICABLE MUST REMAIN WITHIN DIMENSIONS				DRAWING		SERIES		REVISION		
				C-SIZE		73415				
MATERIAL NUMBER				CUSTOMER		SHEET NUMBER				
SEE TABLE				GENERAL MARKET		4 OF 4				

DOCUMENT STATUS	P1	RELEASE DATE	2023/05/24	11:34:23
-----------------	----	--------------	------------	----------