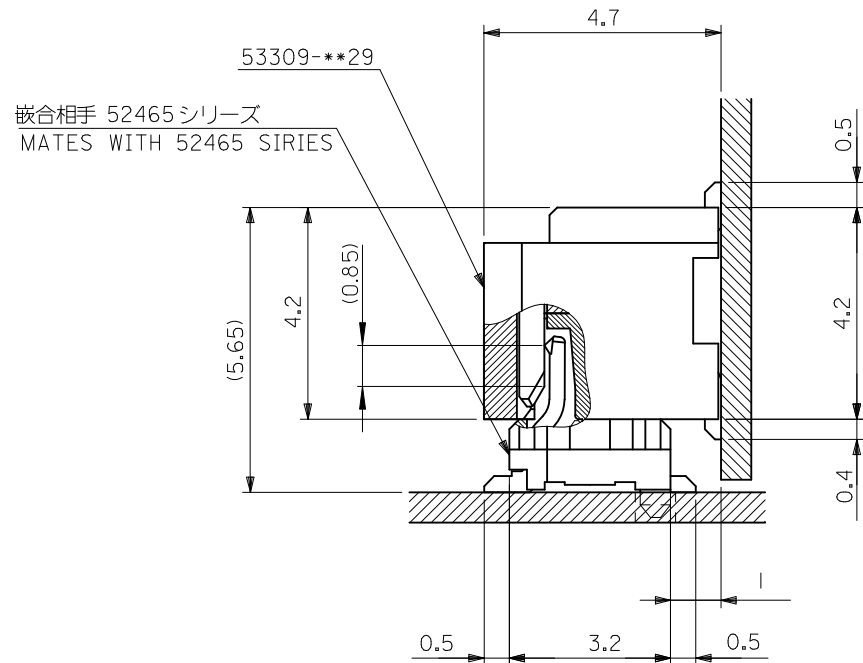


0.4	17.8	16.9	15.2	53309-4029	40
0.8	17.0	16.1	14.4	-3829	38
0.4	16.2	15.3	13.6	-3629	36
0.8	15.4	14.5	12.8	-3429	34
0.4	14.6	13.7	12.0	-3229	32
0.8	13.8	12.9	11.2	-3029	30
0.4	13.0	12.1	10.4	-2829	28
0.8	12.2	11.3	9.6	-2629	26
0.4	11.4	10.5	8.8	-2429	24
0.8	10.6	9.7	8.0	-2229	22
0.4	9.8	8.9	7.2	-2029	20
0.8	9.0	8.1	6.4	-1829	18
0.4	8.2	7.3	5.6	-1629	16
0.8	7.4	6.5	4.8	-1429	14
0.4	6.6	5.7	4.0	-1229	12
0.8	5.8	4.9	3.2	53309-1029	10
MODEL NO.	D	C	B	A	MATERIAL NO. 極数 CKT.

注記 NOTES

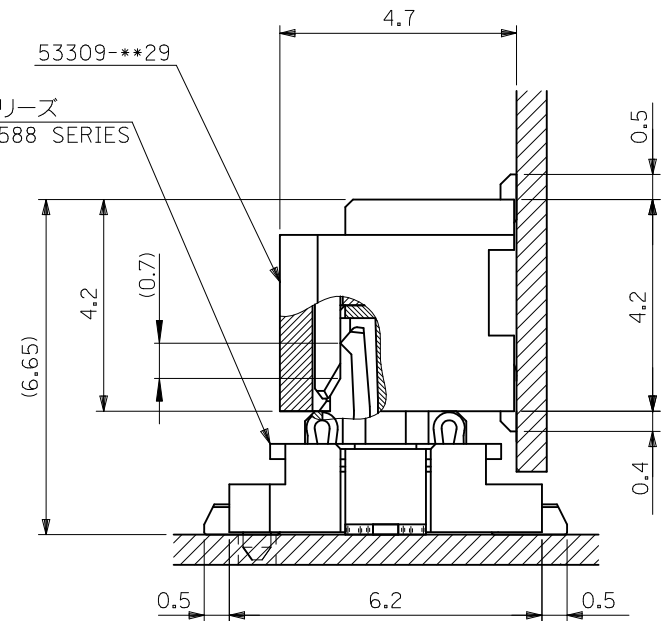
1. 嵌合相手: 52465,52588 シリーズ
MATE WITH : 52465,52588 SERIES
2. ウェハーの ϕ から隣接するピンの ϕ 迄の位置を示す。
SHOW POSITION FROM ϕ OF WAFER TO ϕ OF ADJACENT PINS.
3. 本製品は 53309-**27 の鉛フリー品である。
THIS PRODUCT IS LEAD FREE OF 53309-**27

REVISED EC NO.: J2010-1285 DRWN: YON002 2009/12/17 CHKD: SMARUYAMA 2009/12/17 APPR: SMARUYAMA 2009/12/17	GENERAL TOLERANCES (UNLESS SPECIFIED)		DIMENSION STYLE MM ONLY		SCALE ---	DESIGN UNITS METRIC	THIRD ANGLE PROJECTION
	10 UNDER	±0.2	DRAWN BY M. NINOMIYA	DATE 2004/03/10	TITLE 0.8 B/B CONN. WAFER ASS'Y R/A SMT(WITHOUT BOSS)		
	10 OVER 30 UNDER	±0.25	CHECKED BY K. TOJO	DATE 2004/03/10	MOLEX INCORPORATED		
	30 OVER	±0.3	APPROVED BY M. SASAO	DATE 2004/03/10	DOCUMENT NO. SD-53309-011		
REV	DESCRIPTION	ANGULAR	±3 °	SEE TABLE		SHEET NO. 1 OF 2	
		DRAFT WHERE APPLICABLE MUST REMAIN WITHIN DIMENSIONS		THIS DRAWING CONTAINS INFORMATION THAT IS PROPRIETARY TO MOLEX INCORPORATED AND SHOULD NOT BE USED WITHOUT WRITTEN PERMISSION			



53309-***29
 嵌合相手 52465 シリーズ
 MATES WITH 52465 SERIES

嵌合状態図 (参考)
 MATED DRAWING(REF.)

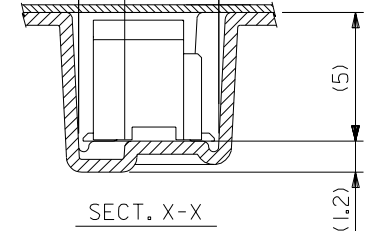
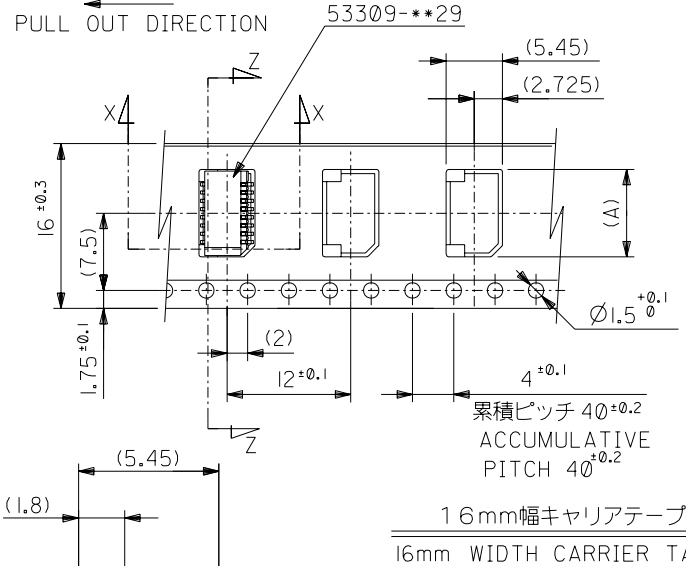
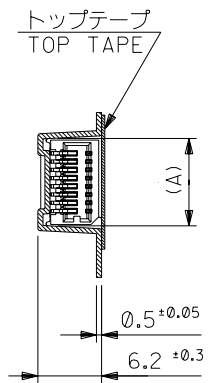
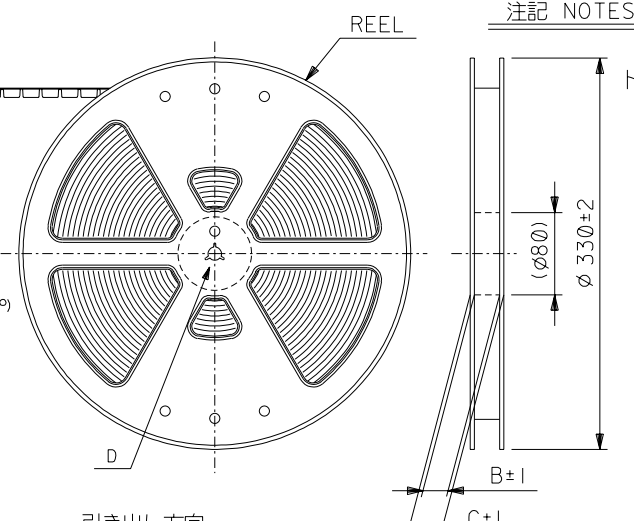
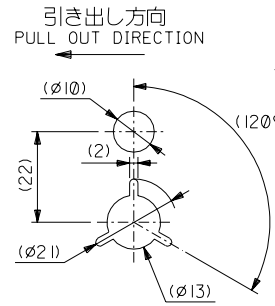


53309-***29
 嵌合相手 52588 シリーズ
 MATES WITH 52588 SERIES

嵌合状態図 (参考)
 MATED DRAWING(REF.)

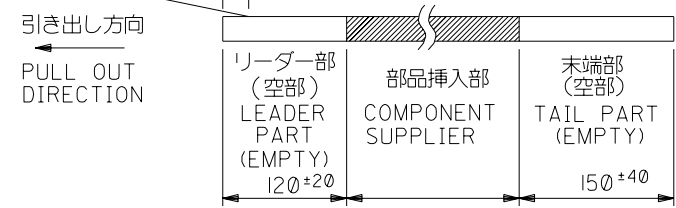
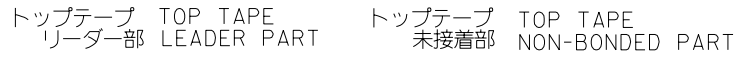
REVISED EC NO: J2010-1285 DRWN: YON002 2009/12/17 CHKD: SMARUYAMA 2009/12/17 APPR: SMARUYAMA 2009/12/17	GENERAL TOLERANCES (UNLESS SPECIFIED)		DIMENSION STYLE MM ONLY	SCALE ---	DESIGN UNITS METRIC	THIRD ANGLE PROJECTION
	10 UNDER	±0.2	DRAWN BY M. NINOMIYA	DATE 2004/03/10	TITLE 0.8 B/B CONN.WAFER ASS'Y R/A SMT(WITHOUT BOSS)	
	10 OVER 30 UNDER	±0.25	CHECKED BY K. TOJO	DATE 2004/03/10		
	30 OVER	±0.3	APPROVED BY M. SASAO	DATE 2004/03/10	MOLEX INCORPORATED	
ANGULAR	±3 °	MATERIAL NO.	DOCUMENT NO.	SHEET NO.		
DRAFT WHERE APPLICABLE MUST REMAIN WITHIN DIMENSIONS		SIZE A3	THIS DRAWING CONTAINS INFORMATION THAT IS PROPRIETARY TO MOLEX INCORPORATED AND SHOULD NOT BE USED WITHOUT WRITTEN PERMISSION			

DWG. NO.
SD-53309-012



注記 NOTES

1. 梱包数量：1000個/リール NUMBER OF CONNECTORS:1000PCS/REEL
2. リードテープ長さ LEAD TAPE LENGTH



3. トップテープの剥離強度：(剥離方向は下図参照)
 0. 1N~1.3N {10gf~130gf} 尚、本規格値は、出荷時に適用。
 (但し、輸送時に剥離が発生しない事。)
 PEELING OFF FORCE OF TOP TAPE
 0. 1N~1.3N {10gf~130gf} (PEELING DIRECTION AS SHOWN IN FOLLOWING FIG.)
 THIS REQUIREMENT SHOULD BE APPLIED AT SHIPMENT
 PEEL OFF SHOULD NOT BE ALLOWED,
 DURING TRANSPORTATION
 剥離方向 PEEL OFF DIRECTION
 10°

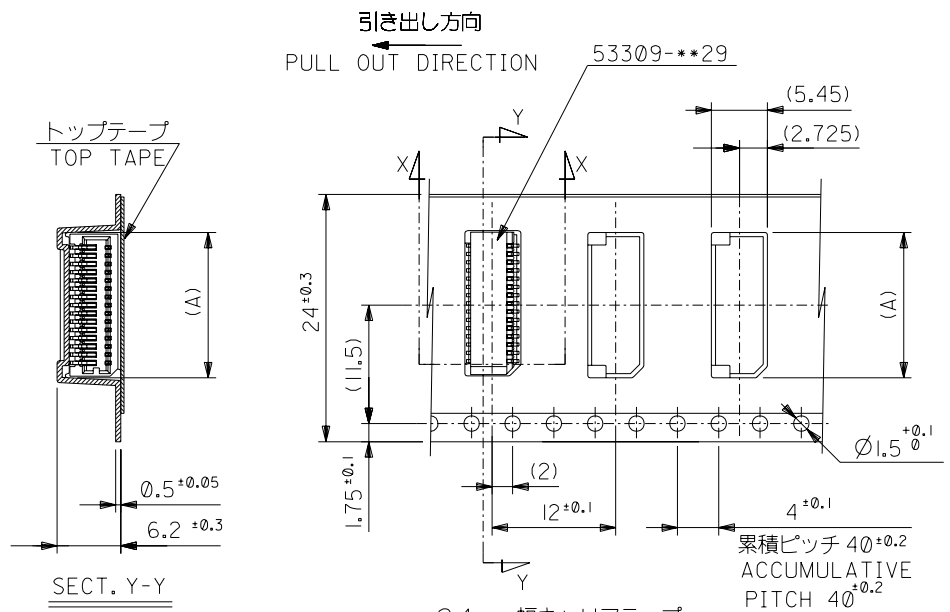
4. 材料
 キャリアテープ：ポリプロピレン (PP)
 トップテープ：PET, PE, PEF
 リール：ポリスチレン (PS)
 MATERIAL
 CARRIER TAPE:POLYPROPYLENE
 TOP TAPE:PET,PE,PEF
 REEL:POLYSTYRENE(PS)
 <RECYCLE MATERIAL CONTAINED>

5. 本製品は 53309-**91 の鉛フリー品である。
 THIS PRODUCT IS LEAD FREE OF 53309-**91.

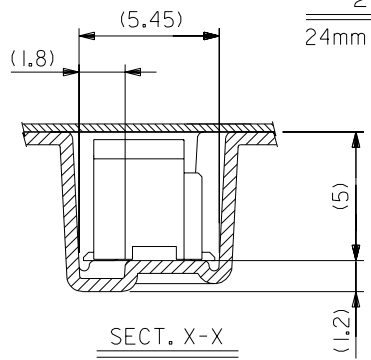
16	21.4	17.4	9.3	53309-1870	18
			8.5	53309-1670	16
			7.7	53309-1470	14
			6.9	53309-1270	12
			6.1	53309-1070	10
キャリアテープ幅 CARRIER TAPE WIDTH	C	B	(A)	MATERIAL NO.	極数 CIRCUIT

53309-**70		材料 MATERIAL		注記参照 SEE NOTES	
MODEL NO.				REVISE ONLY ON CAD SYSTEM	
角度 ANGLE ±3°		仕上げ FINISH //		TITLE 名称	
30以上 OVER		適用電線範囲 WIRE RANGE //		0.8 BtB Conn Wafer Assy	
10以上 OVER 30 UNDER		被覆外径 INS. RANGE //		RA SMT Without Boss	
10 UNDER		DRAWN BY '04/03/10 M.NINOMIYA		Embstp Pkg	
新規作成 (J2004-2995) RELEASED		CHK'D BY '04/03/10 K.TOJO		-LEAD FREE-	
一般公差 GENERAL TOLERANCES		記号 LTR		DR. DATE	
		M.SASAO		尺度 SCALE //	

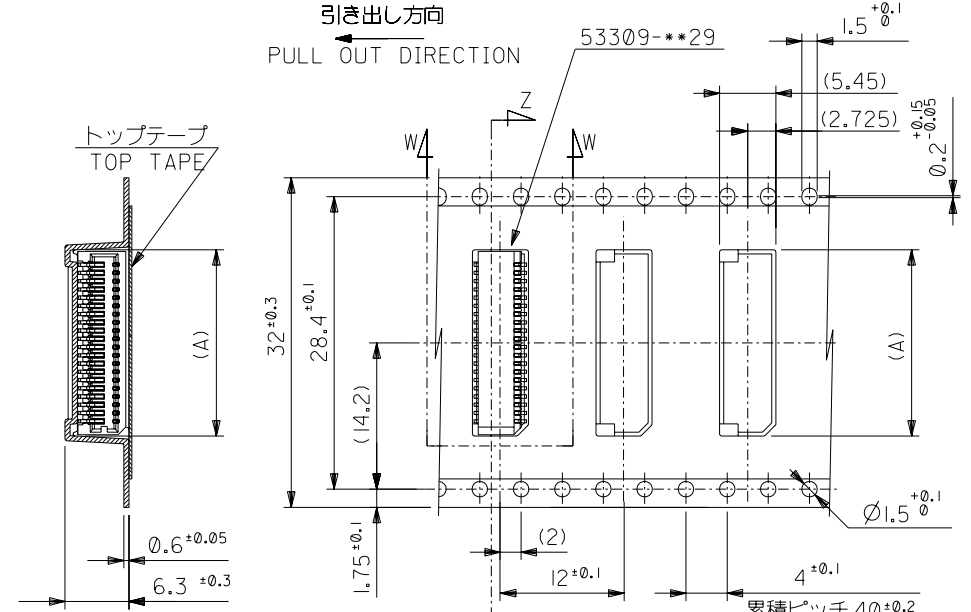
MOLAX MOLEX-JAPAN CO.,LTD. 日本モレックス株式会社	
REVISE ONLY ON CAD SYSTEM	
TITLE 名称	
0.8 BtB Conn Wafer Assy	
RA SMT Without Boss	
Embstp Pkg	
-LEAD FREE-	
DWG. NO. (SHEET 1 OF 2)	REV
SD-53309-012	0



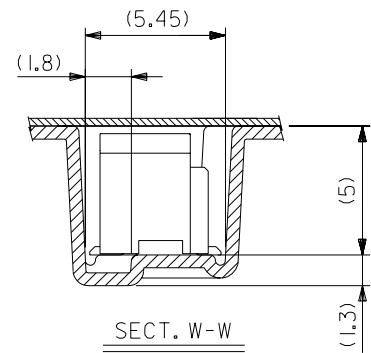
24mm幅キャリアテープ
24mm WIDTH CARRIER TAPE



SECT. X-X



32mm幅キャリアテープ
32mm WIDTH CARRIER TAPE



SECT. W-W

24	29.4	25.4	16.5	53309-3670	36
			15.7	53309-3470	34
			14.9	53309-3270	32
			14.1	53309-3070	30
			13.3	53309-2870	28
			12.5	53309-2670	26
			11.7	53309-2470	24
			10.9	53309-2270	22
10.1	53309-2070	20			
キャリアテープ幅 CARRIER TAPE WIDTH	C	B	(A)	MATERIAL NO.	極数 CIRCUIT

53309-***70		M.N.		04/03/10	
MODEL NO.		DR.	CHK.	DATE	
角度 ANGLE	+3°	新規作成 RELEASED	(J2004-2995)	日付	
30以上 OVER	+0.3	変更内容		尺	
10以上 OVER	+0.25	30未満 UNDER		度	
10未満 UNDER	+0.2	一般公差 GENERAL TOLERANCES		SCALE	

32	37.4	33.4	18.1	53309-4070	40
キャリアテープ幅 CARRIER TAPE WIDTH	C	B	(A)	53309-3870	38
				MATERIAL NO.	極数 CIRCUIT

材料 MATERIAL
SHEET 1 OF 2 参照 REFER TO SHEET 1 OF 2
仕上げ FINISH —
適用電線範囲 WIRE RANGE —
被覆外径 INS. RANGE —
DRAWN BY 04/03/10 M.NINOMIYA
CHK'D BY 04/03/10 K.TOJO
APP'D BY 04/03/10 M.SASAO

材料 M.OLEX-JAPAN CO.,LTD.
日本モレックス株式会社
REVISE ONLY ON CAD SYSTEM
TITLE 名称
0.8 BtB Wafer Assy
RA SMT Without Boss
Embstp Pkg
-LEAD FREE-

DWG. NO. (SHEET 2 OF 2) REV 0
SD-53309-012