

PART NUMBER

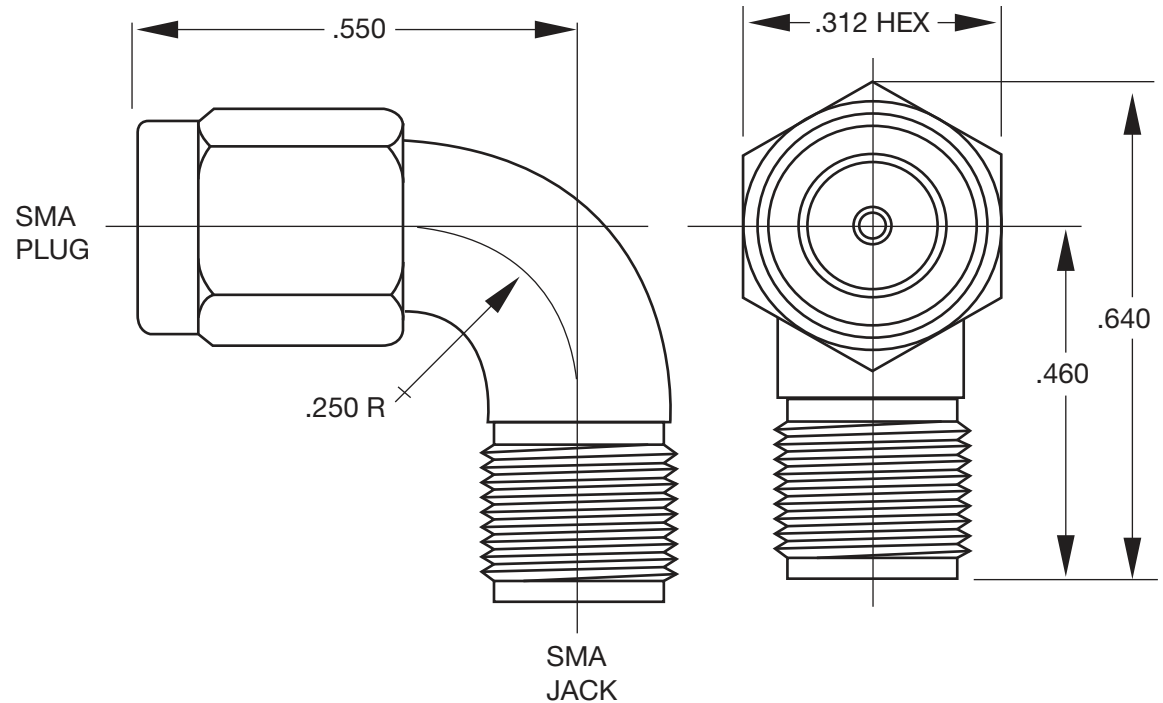
**KAD177923**

REV.

INITIAL

**Electrical Data**

Impedance 50  $\Omega$   
 Frequency Range DC - 26 GHz  
 VSWR 1.3:1 @ 26 GHz

**RoHS Compliant**

Drawing not to scale. Dimensions for reference only

**Konnect RF**

WWW.KONNECTRF.COM  
 1-800-790-5887

PART NUMBER

**KAD177923**

DESCRIPTION

**Precision Adapter - In-Series - SMA Radius Right Angle Male Plug to Female Jack**

CAGE CODE

**664U0**

SIGNATURE

X

**Materials**

Body / Nut  
 Center Contact  
 Insulator

Stainless Steel  
 Be-Cu  
 PTFE

Passivated  
 Gold Plated

THIS DRAWING INCLUDING THE  
 DESIGNS IS THE PROPERTY OF  
 KONNECT RF AND IS NOT TO  
 BE USED FOR ANY PURPOSE  
 WITHOUT OUR APPROVAL.