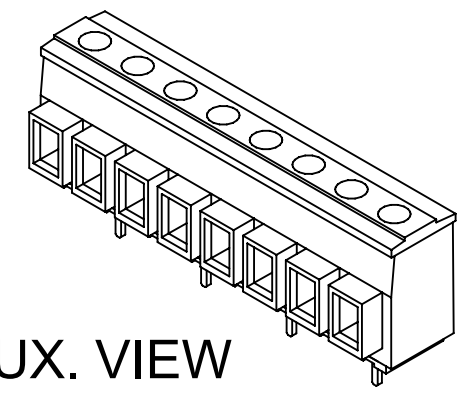
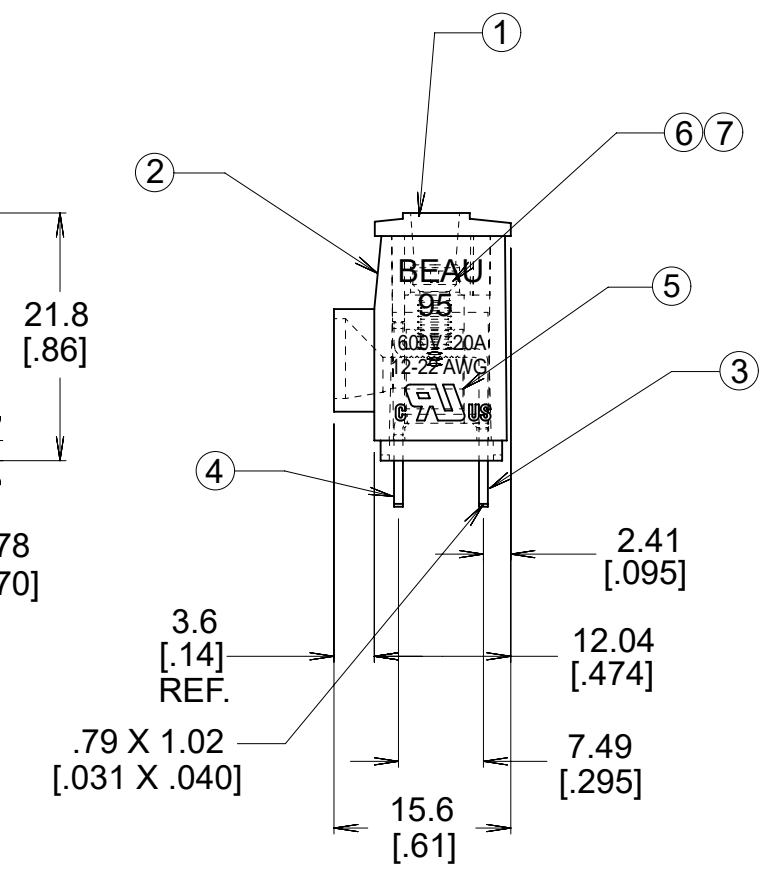
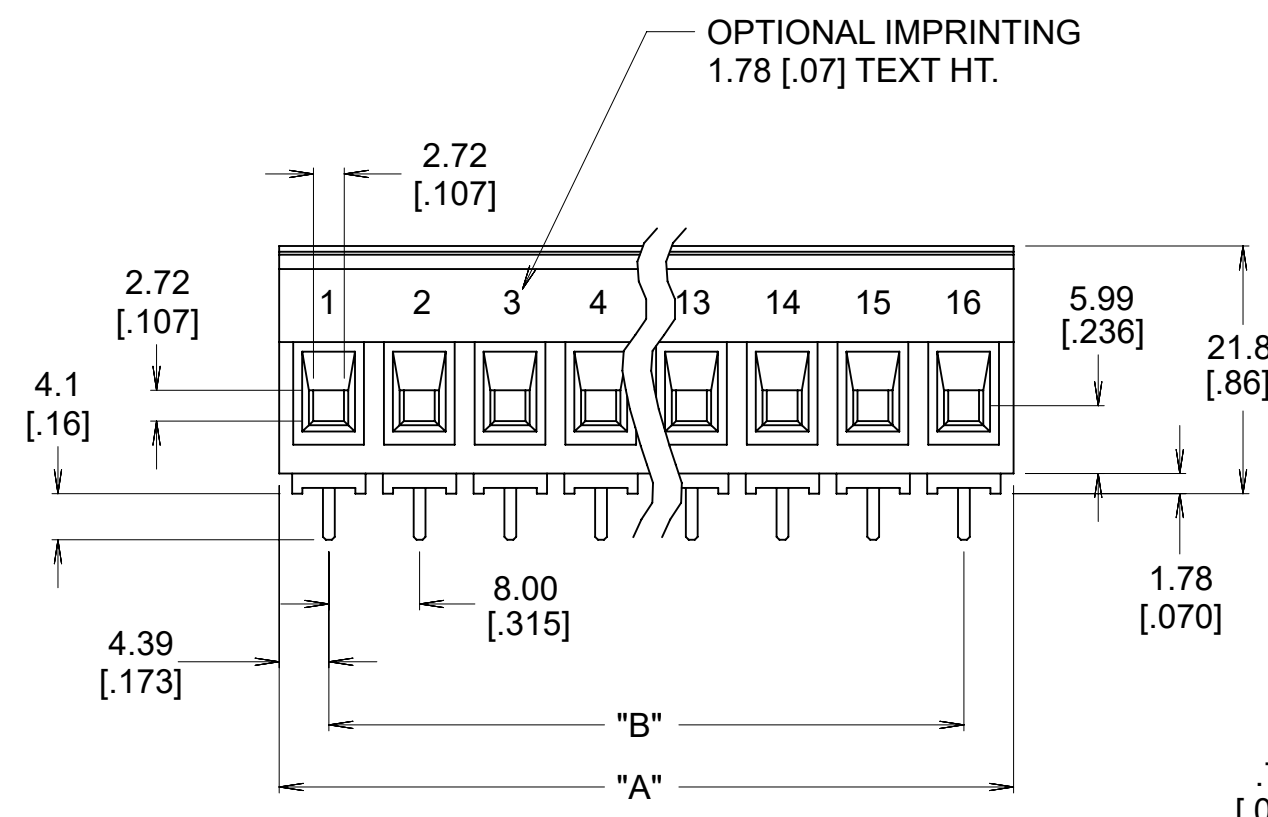
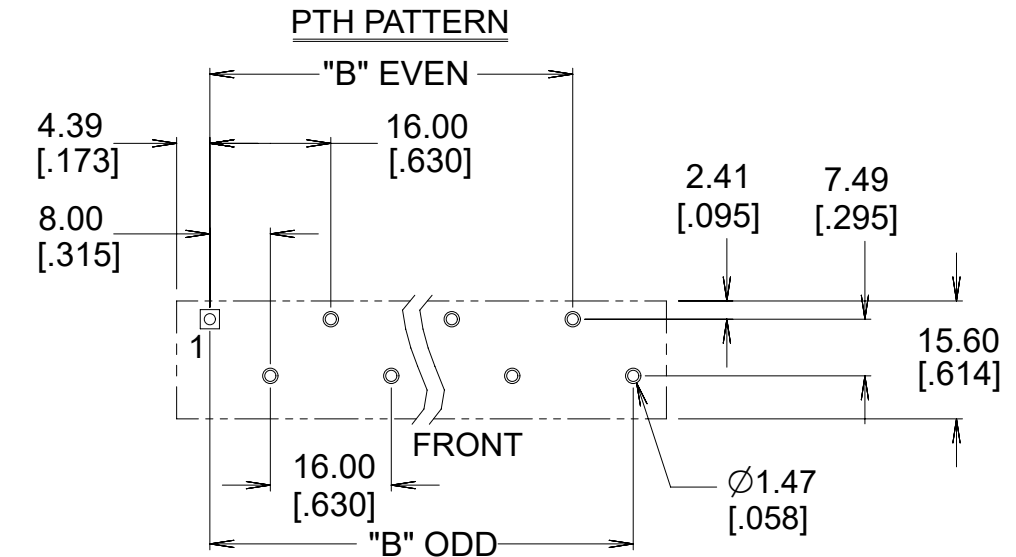
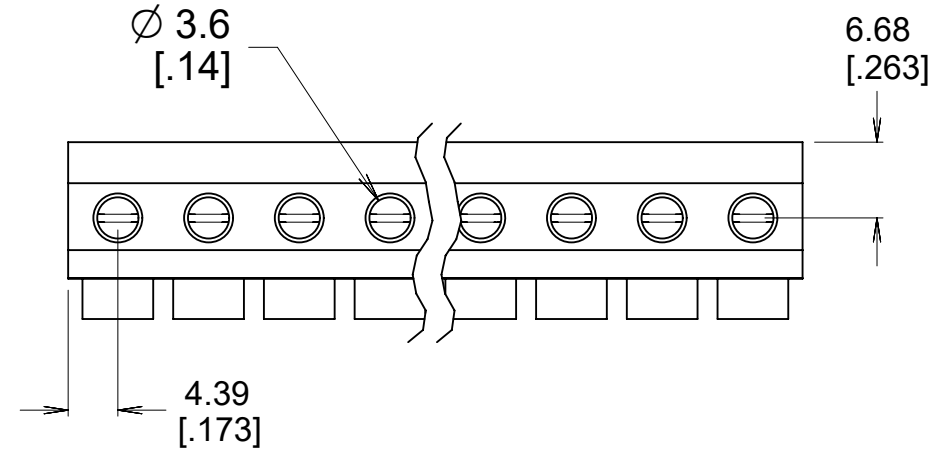


NO. OF CIRCUITS	DIM. "A"		DIM. "B"		ASSEMBLY MATERIAL NO. (STANDARD)	ASSEMBLY MATERIAL NO. (-49 OPT)	ASSEMBLY MATERIAL NO. (-10A OPT)	FRONT TERMINAL QTY.	REAR TERMINAL QTY.
	mm	in	mm	in					
03	24.8	0.98	16.00	0.630	399500103		399520103	1	2
04	32.8	1.29	24.00	0.945			399540104	2	2
05	40.8	1.61	32.00	1.260			399540105	2	3
06	48.8	1.92	40.00	1.575			399540106	3	3
07	56.8	2.24	48.00	1.890			399540107	3	4
08	64.8	2.55	56.00	2.205			399520108	4	4
09	72.8	2.87	64.00	2.520			399520109	4	5
11	88.8	3.50	80.00	3.150	399500111	399540111	399520111	5	6
13	104.8	4.13	96.00	3.780			399540113	6	7
14	112.8	4.44	104.00	4.094			399540114	7	7
15	120.8	4.76	112.00	4.409			399540115	7	8
16	128.8	5.07	120.00	4.724			399540116	8	8



AUX. VIEW
SCALE 1:1



- NOTES:
- MATERIAL: SEE TABLE
 - FINISHES: SEE TABLE
 - INCH DIMS ARE SHOWN IN BRACKETS [XXX].
 - "XX" REFER TO THE NUMBER OF CIRCUITS.
 - ALL CREEP DISTANCES FOR UL 1059, CLASS C, 600V GENERAL INDUSTRIAL
 - FOR USE WITH #22-#12 AWG SOLID AND STRANDED WIRES
 - TORQUE RATING IS 5 IN-LB. MAX.
 - PRODUCT PERFORMANCE SPECIFICATION PPS.95.001
 - ASSEMBLY IS ROHS COMPLIANT.

ITEM	QTY.	DESCRIPTION	MATERIAL	FINISH
7	"XX"	SCREW, M3 X 0.5, -49 OPTION	PHOS. BRONZE	TIN PLATE
6	"XX"	SCREW, M3 X 0.5, STD.	STEEL	ZN, CLEAR CHROMATE
5	"XX"	CAGE CLAMP	BRASS	NICKEL PLATE
4	SEE CHART	FRONT TERMINAL	RED BRASS	TIN PLATE
3	SEE CHART	REAR TERMINAL	RED BRASS	TIN PLATE
2	1	BODY	PBT	BLACK
1	1	CAP	PBT	BLACK

THIS DRAWING CONTAINS INFORMATION THAT IS PROPRIETARY TO MOLEX ELECTRONIC TECHNOLOGIES, LLC AND SHOULD NOT BE USED WITHOUT WRITTEN PERMISSION

DIMENSION UNITS	SCALE	CURRENT REV DESC: Obsolete part number as per pcn#512167	molex		
MM/IN	3:2				
GENERAL TOLERANCES (UNLESS SPECIFIED)			8.00MM SR BTS, PKCT, #12 AWG ASY, 600V, 20A		
	MM	INCH	PRODUCT CUSTOMER DRAWING		
4 PLACES	±	±	DOCUMENT NUMBER		
3 PLACES	±	± 0.005	DOC TYPE DOC PART REVISION		
2 PLACES	±	± 0.13 ± 0.01	SD-39950-001 PSD 001 J		
1 PLACE	±	± 0.3 ±	MATERIAL NUMBER CUSTOMER		
0 PLACES	±	±	SEE TABLE GENERAL MARKET		
ANGULAR TOL	± 2.0 °		SHEET NUMBER		
DRAFT WHERE APPLICABLE MUST REMAIN WITHIN DIMENSIONS			1 OF 1		