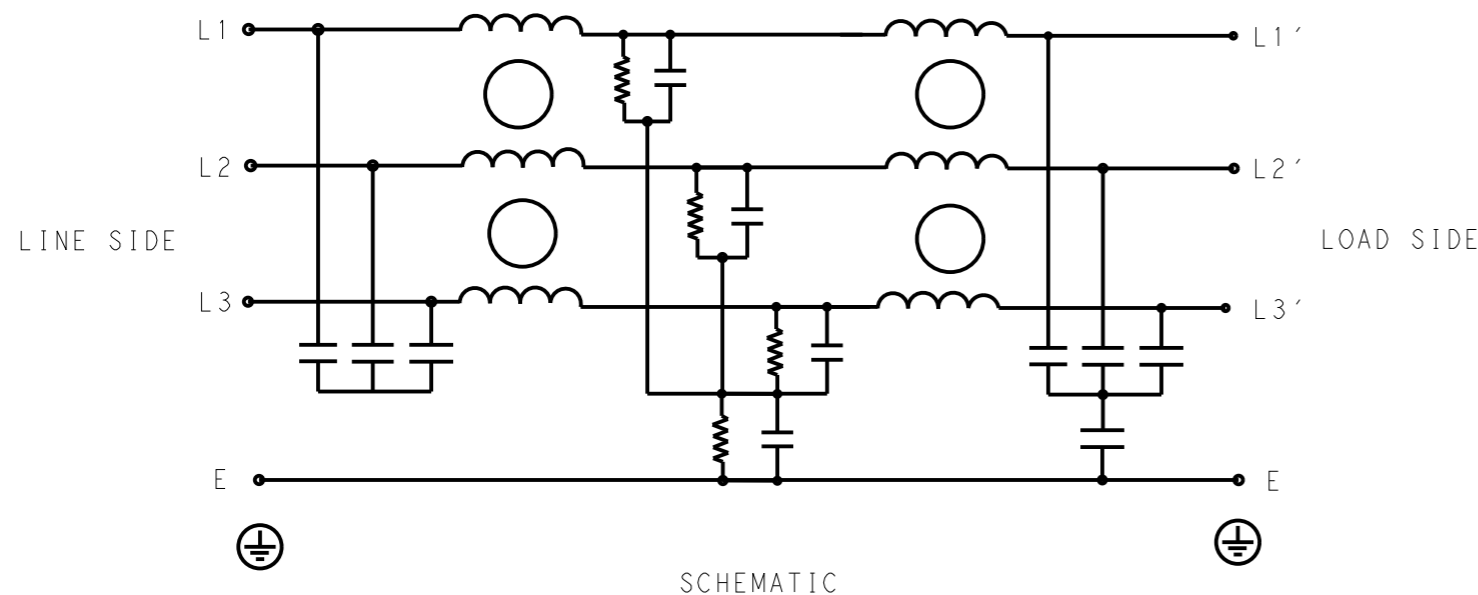


| P | LTR | DESCRIPTION     | DATE      | DWN | APVD |
|---|-----|-----------------|-----------|-----|------|
|   | A   | INITIAL RELEASE | 23APR2021 | SR  | CB   |



SAFETY ORGANIZATIONS

THIS FILTER WILL BE FORMALLY RECOGNIZED, CERTIFIED OR APPROVED BY THE LISTED AGENCY. THEREFORE, ALL TEST/REQUIREMENTS SPECIFIED IN THE LATEST REVISION OF THE FOLLOWING AGENCY STANDARDS WILL BE MET:

UL APPROVED 16A 440V 50Hz/60Hz 40°C  
 CSA APPROVED 16A 440V 50Hz/60Hz 40°C

OPERATING SPECIFICATION

LINE CURRENT/VOLTAGE: 16A, 440VAC  
 LINE FREQUENCY: 50/60Hz

MAXIMUM LEAKAGE CURRENT: 10mA @ 230VAC, 50Hz

OPERATING AMBIENT TEMPERATURE RANGE @ RATED CURRENT: -25°C TO +40°C

IN AN AMBIENT, T<sub>a</sub>, HIGHER THAN 40°C, THE MAXIMUM OPERATING CURRENT, I<sub>o</sub>, IS AS FOLLOWS:

$$I_o = I_r \sqrt{\frac{85 - T_a}{45}}$$

RELIABILITY SPECIFICATIONS

STORAGE TEMPERATURE: -40°C TO +85°C  
 HUMIDITY: 21 DAYS @ 40°C AND 95% RH

TEST SPECIFICATIONS

INDUCTANCE, NOMINAL: 8mH

CAPACITANCE @ 1kHz

LINE TO GROUND, NOMINAL: 0.66µF  
 LINE TO LINE, NOMINAL: 1.5µF

DISCHARGE RESISTOR

L/L I.R. 3MΩ 1W  
 L/N I.R. XXX  
 L/G I.R. 680KΩ 1W  
 N/G I.R. XXX

IR (NO DISCHARGE RESISTOR) 20°C, 50% RH AND 100VDC, MIN: 6MΩ

RECOMMENDED RECEIVING INSPECITON HIPOT

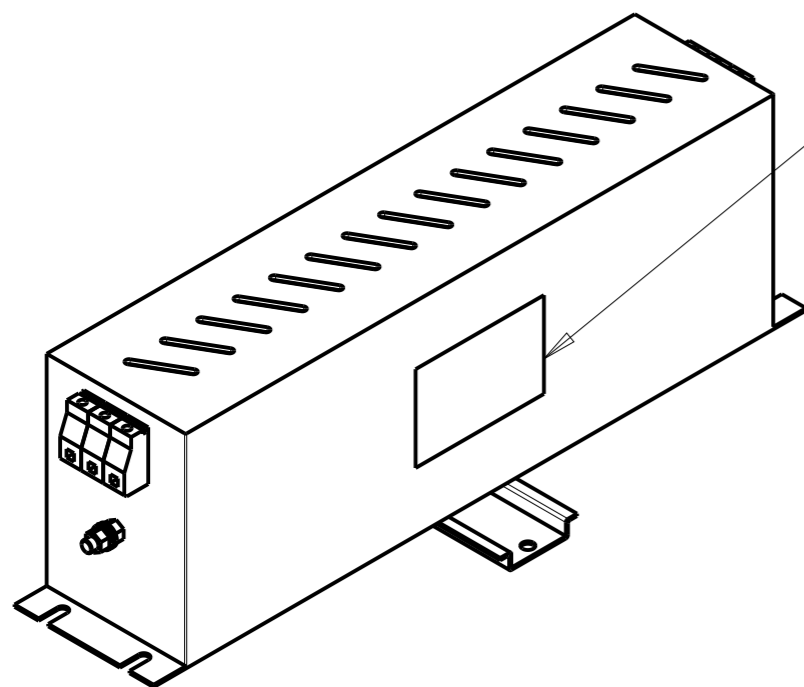
LINE TO GROUND FOR 1 MINUTE: 2632VDC  
 LINE TO LINE FOR 1 MINUTE: 1892VDC

FILTER APPROVAL

THE BEST WAY TO SELECT AND QUALIFY A FILTER IS FOR YOUR ENGINEERING TO TEST THE UNIT IN YOUR EQUIPMENT.

TYPICAL INSERTION LOSS  
 COMMON MODE 50/50Ω; DIFFERENTIAL MODE 50/50Ω

| MHz | 0.01 | 0.05 | 0.15 | 0.5 | 1  | 3  | 5  | 10 | 30 |
|-----|------|------|------|-----|----|----|----|----|----|
| CM  | 73   | 70   | 76   | 81  | 78 | 70 | 52 | 48 | 19 |
| DM  | 30   | 45   | 33   | 47  | 49 | 65 | 50 | 22 | 65 |



LABEL TO TE MARKING SPECIFICATION

|  |  |                            |  |  |
|--|--|----------------------------|--|--|
| THIS DRAWING IS A CONTROLLED DOCUMENT. |  | DWN SUPREETH R 23APR2021   |  |  |
| DIMENSIONS: mm                         |  | CHK CHRIS BOLLE 23APR2021  |  |  |
| TOLERANCES UNLESS OTHERWISE SPECIFIED: |  | APVD CHRIS BOLLE 23APR2021 | NAME POWER LINE FILTER FOR DIN RAIL 35 INSTALLATION 16KEHD10ABSDHM |  |
| 0 PLC ±-                               |  | PRODUCT SPEC -             | SIZE A300779 CAGE CODE C-3-1609969-1                               |  |
| 1 PLC ±0.5                             |  | APPLICATION SPEC -         | RESTRICTED TO -  |  |
| 2 PLC ±0.40                            |  | WEIGHT -                   | SCALE 2:5 SHEET 1 OF 2 REV A                                       |  |
| 3 PLC ±0.130                           |  | CUSTOMER DRAWING           |  |  |
| 4 PLC ±0.0500                          |  |                            |  |  |
| ANGLES ±-                              |  |                            |  |  |
| MATERIAL -                             |  |                            |  |  |
| FINISH -                               |  |                            |  |  |

© 2021 TE Connectivity. All Rights Reserved.

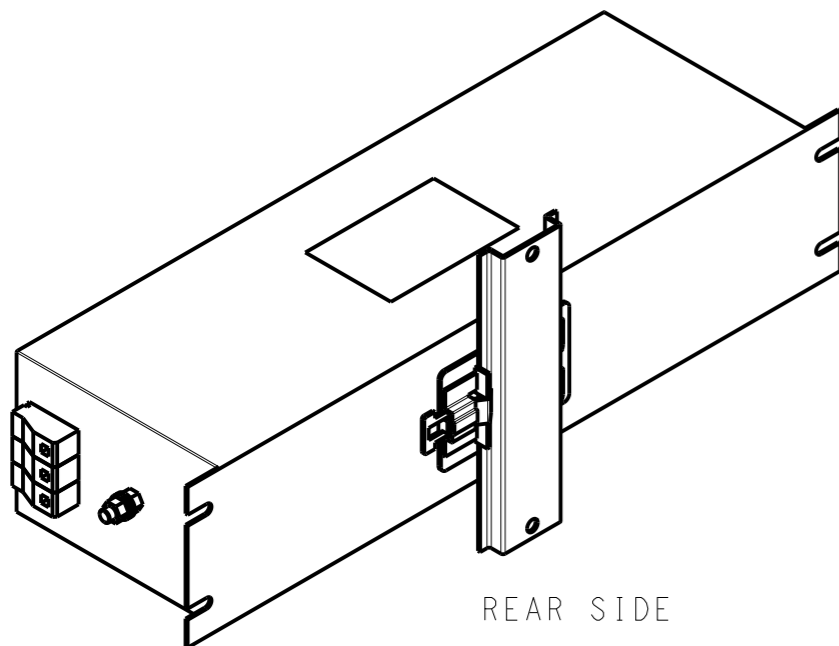
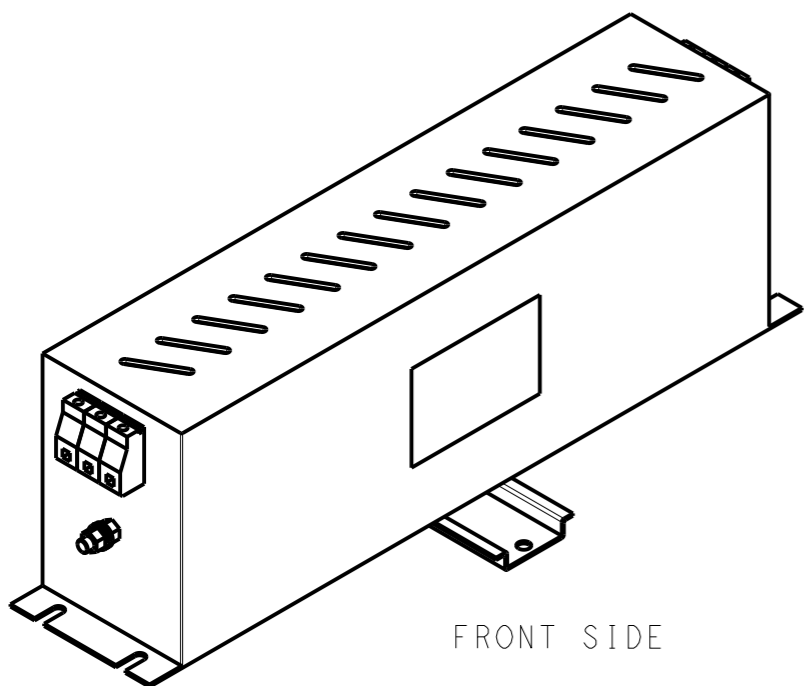
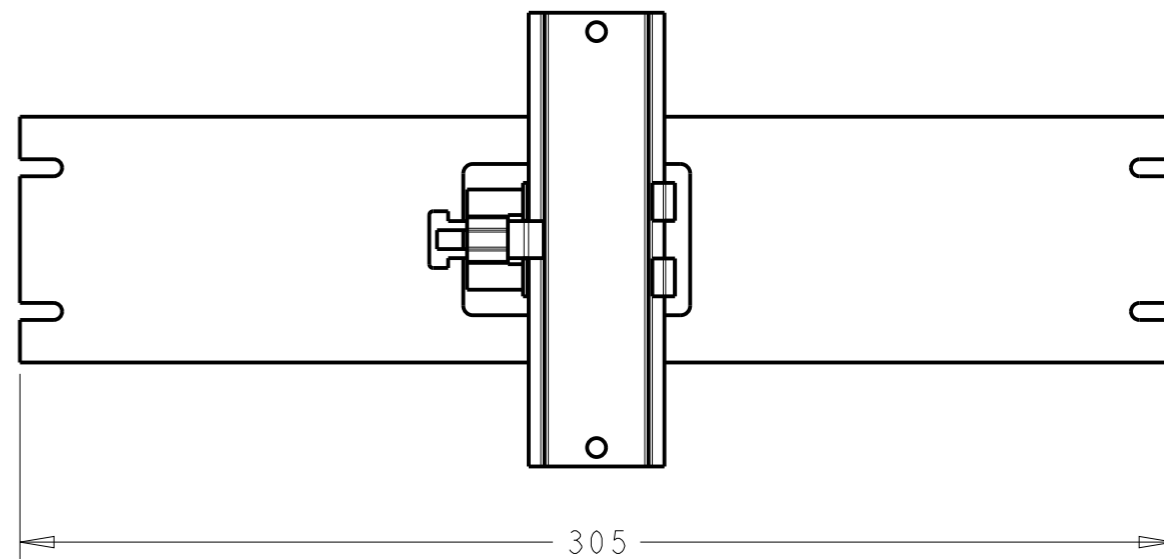
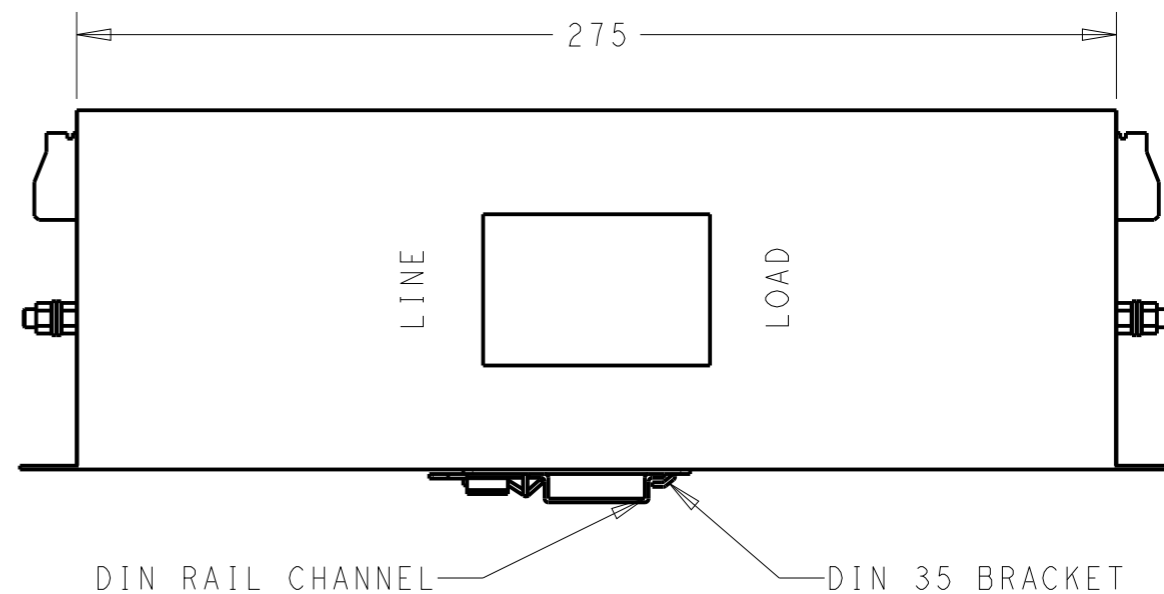
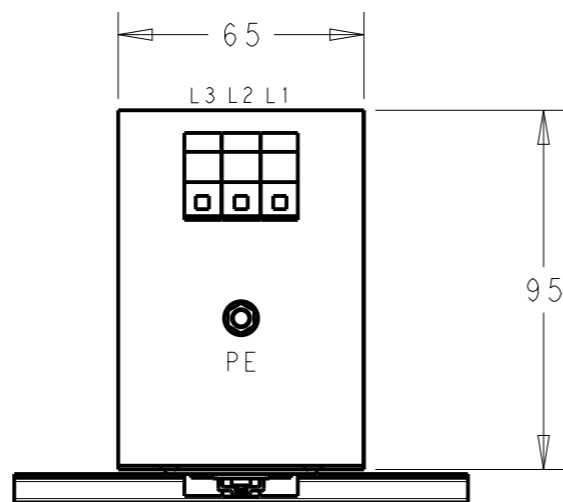
NOTE 1 GROUND CONNECTION:  
 FOR ELECTRICAL SAFETY AND FILTER PERFORMANCE  
 UNIT MUST HAVE A GOOD GROUND CONNECTION.  
 TORQUE OUTER TERMINAL SCREWS: 0.5Nm / 4.5 in.lbs  
 TORQUE GROUND NUTS: 2Nm

NOTE 2 INPUT OUTPUT CONNECTION TERMINAL  
 AWG SIZE: 26-12 AWG  
 WIRE SECTION: 4mm<sup>2</sup>  
 THREADED BOLT SIZE FOR GROUND: M5

NOTE 3 SUPPLIED WITH DIN RAIL BRACKET.

NOTE 4 DRAWING SHOWS DIN RAIL FOR REFERENCE ONLY.

| REVISIONS |     |             |      |     |      |
|-----------|-----|-------------|------|-----|------|
| P         | LTR | DESCRIPTION | DATE | DWN | APVD |
|           |     | SEE SHEET 1 |      |     |      |
|           |     |             |      |     |      |
|           |     |             |      |     |      |



|   |             |                                  |   |                             |
|---|-------------|----------------------------------|---|-----------------------------|
| THIS DRAWING IS A CONTROLLED DOCUMENT.  |             | DWN<br>SUPREETH R<br>23APR2021   |   |                             |
|   |             | CHK<br>CHRIS BOLLE<br>23APR2021  |   |                             |
|   |             | APVD<br>CHRIS BOLLE<br>23APR2021 | NAME<br>POWER LINE FILTER FOR<br>DIN RAIL 35 INSTALLATION<br>16KEHD10ABSDHM |                             |
| DIMENSIONS:<br>mm   |             | PRODUCT SPEC<br>-                | RESTRICTED TO<br>-  |                             |
| TOLERANCES UNLESS OTHERWISE SPECIFIED:  |             | APPLICATION SPEC<br>-            | SCALE<br>1:2  |                             |
| 0 PLC ±-<br>1 PLC ±0.5<br>2 PLC ±0.40<br>3 PLC ±0.130<br>4 PLC ±0.0500<br>ANGLES ±- |             | WEIGHT<br>-                      | SIZE<br>A300779   | DRAWING NO<br>C-3-1609969-1 |
| MATERIAL<br>-   | FINISH<br>- | CUSTOMER DRAWING                 | SHEET<br>2 OF 2   | REV<br>A                    |