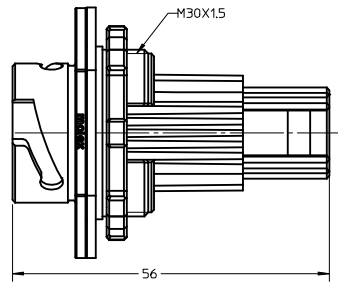
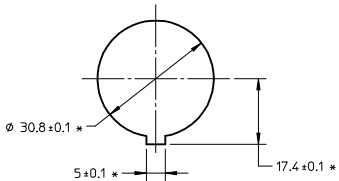


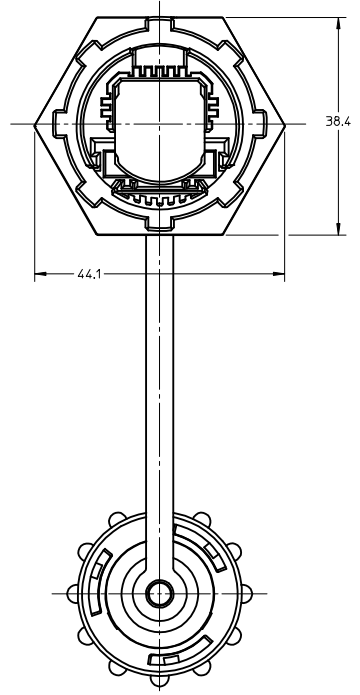
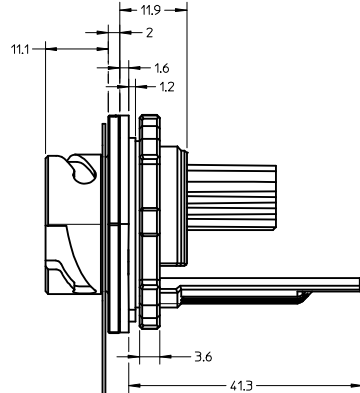
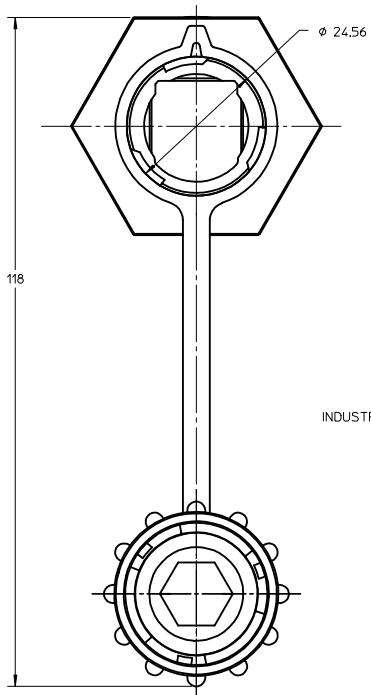
ISOMETRIC VIEW
SCALE 1:1



TOP VIEW
DUST COVER IS NOT SHOWN



RECOMMENDED PANEL THICKNESS: 1.6mm-6.4mm
RECOMMENDED MOUNTING CUT-OUT
SCALE 1:1



INDUSTRIAL DUST COVER

NOTE:
1. ALL DIMENSIONS ARE FOR REFERENCE ONLY.
2. ADAPTER ARE PACKED INDIVIDUALLY IN SELF SEALING BUBBLE BAG.
BUBBLE BAG NOT SHOWN.

ENTER DESCRIPTION EC NO: MF2009-0482 DRWN: SZEWCZYK 2009/03/23 CHKD: 2009/03/23 APPR: IGJWIN 2009/03/23	QUALITY SYMBOLS ▽=0 ▽=0	GENERAL TOLERANCES (UNLESS SPECIFIED)		DIMENSION STYLE MM ONLY	SCALE 1.5:1	DESIGN UNITS METRIC	THIRD ANGLE PROJECTION		
		4 PLACES ± --- ± ---	3 PLACES ± --- ± ---	2 PLACES ± --- ± ---	1 PLACE ± --- ± ---	DRAWN BY BG	DATE 12/01/05	CHECKED BY SE	DATE 12/15/05
REV	DESCRIPTION	ANGULAR ±1/2°		DRAFT WHERE APPLICABLE MUST REMAIN WITHIN DIMENSIONS		MATERIAL NO. 1065013000		DOCUMENT NO. SD-106501-3000	SHEET NO. 1 OF 1
				THIS DRAWING CONTAINS INFORMATION THAT IS PROPRIETARY TO MOLEX INCORPORATED AND SHOULD NOT BE USED WITHOUT WRITTEN PERMISSION				MOLEX MOLEX INCORPORATED	