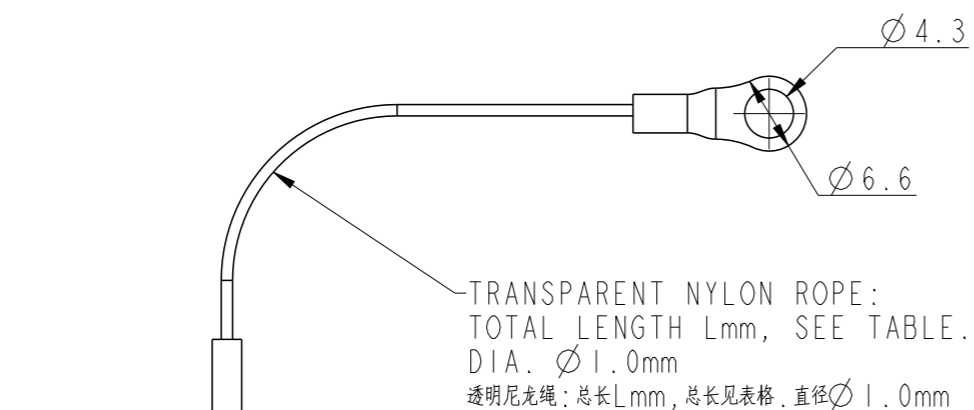


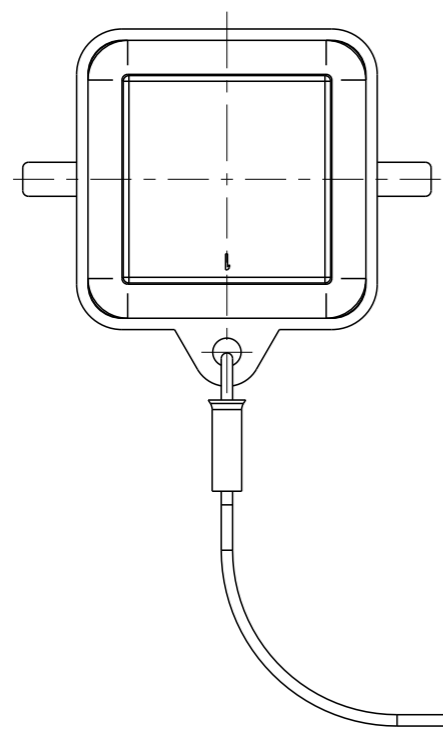
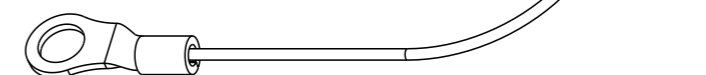
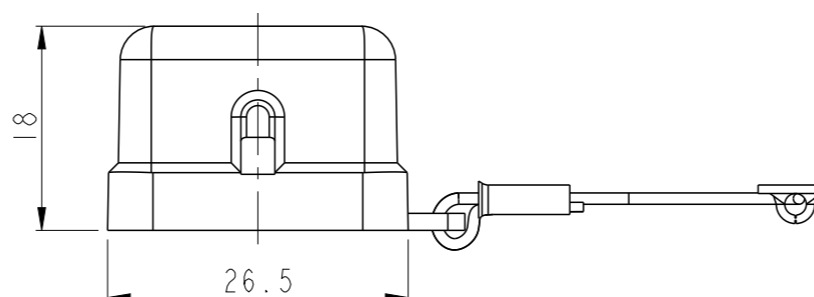
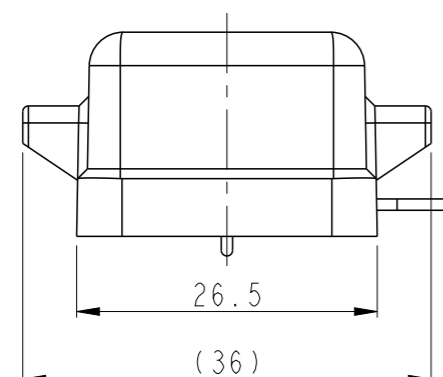
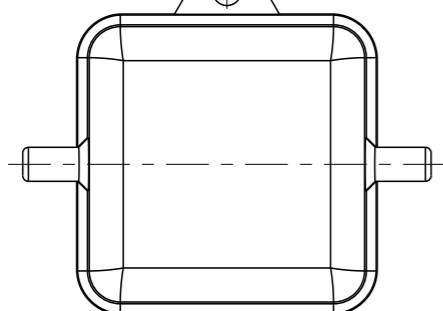
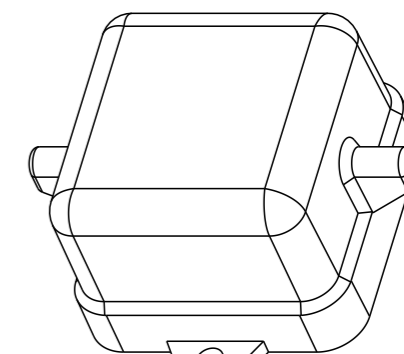
REVISIONS

P	LTR	DESCRIPTION	DATE	DWN	APVD
	A	INITIAL RELEASE	23SEP2015	DL	CW
	A1	ECR-16-002552	19FEB2016	DL	CW
	A2	ECR-17-010103	12JUL2017	CH	CW
	A3	ECR-23-170796	03APR2023	AC	CW




NOTES:
 1. TECHNICAL CHARACTERISTICS:
 COVER MATERIAL: PC
 COVER COLOR: SEE TABLE

注释:
 1. 技术参数:
 保护盖材质: PC
 保护盖颜色: 见表格



T1010032100-000	H3A-KDBP-NY150	H3A HOUSING PLASTIC PROTECTION COVER, 2 EAR, SEALING, NYLON ROPE 150mm, WHITE H3A下壳塑料保护盖, 2耳, 带密封, 尼龙绳150mm, 白色	150
T1010032300-001	H3A-KDBP-G-NY110	H3A HOUSING PLASTIC PROTECTION COVER, 2 EAR, SEALING, NYLON ROPE 110mm, GREY H3A下壳塑料保护盖, 2耳, 带密封, 尼龙绳110mm, 灰色	110
T1010032300-000	H3A-KDBP-G-NY150	H3A HOUSING PLASTIC PROTECTION COVER, 2 EAR, SEALING, NYLON ROPE 150mm, GREY H3A下壳塑料保护盖, 2耳, 带密封, 尼龙绳150mm, 灰色	150
PART NUMBER 料号	PART DESCRIPTION 描述		L (mm) 绳子长度

THIS DRAWING IS A CONTROLLED DOCUMENT.		DWN 23SEP2015 DAVID LI	 TE Connectivity	
		CHK 23SEP2015 CHRIS WANG		
DIMENSIONS: mm		APVD 23SEP2015 XU XIANG	NAME H3A-KDBP-G-NYXXX/H3A-KDBP-NYXXX	
TOLERANCES UNLESS OTHERWISE SPECIFIED:		PRODUCT SPEC	RESTRICTED TO	
0 PLC ±-		APPLICATION SPEC	SIZE	CAGE CODE
1 PLC ±-			A3	-
2 PLC ±-			DRAWING NO	
3 PLC ±-			C-T1010032300000	
4 PLC ±-				
ANGLES ±-				
MATERIAL		WEIGHT		
-		-		
-		-		
		Customer Drawing	SCALE 3:2	SHEET 1 OF 1
			REV A3	