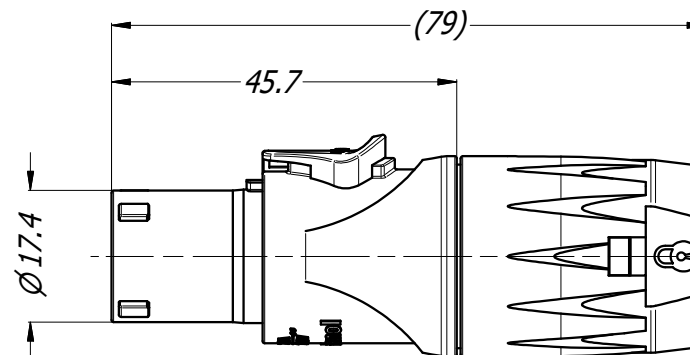
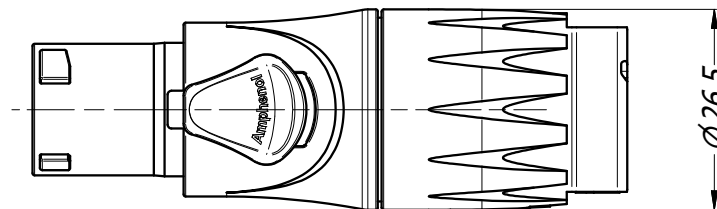
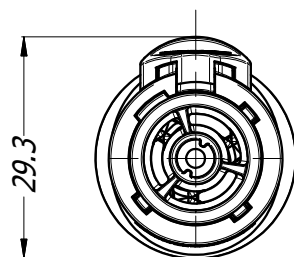


3D VIEW
3:4



PATENTS AND APPLICATONS :

US 10186804
 US D840341
 US 10823914B2
 EP 3514892B1
 JP 6705027B2
 DE 102018101431A1
 HK 40009428A
 CN 110071397A
 EP 3641070A1

NOTES:

- CABLE OD RANGE:
 - BIG GROMMET: 9.0 -12.0 MM OD
 - SMALL GROMMET: 6.0- 9.0 MM OD
- BACKSHELL TORQUE: 3.1 Nm

UNLESS OTHERWISE SPECIFIED TOLERANCE TO BE		THIS DOCUMENT IS THE PROPERTY OF AMPHENOL AUSTRALIA PTY. LTD. NO PART THEREOF MAY BE REPRODUCED AND USED WITHOUT THE PRIOR WRITTEN CONSENT OF THE OWNER.				Amphenol Amphenol Australia Pty.Ltd, 22 Industry Blvd, Carrum Downs VIC 3201	
LINEAR	ANGULAR	MATERIAL:	DRN: T.N	DATE: 26/07/19	TITLE:	PART No:	REV
X ± 0.5	X' ± 1		CKD: P.M	DATE: 26/07/19	CABLE CONNECTOR FEMALE HPT SERIES	HPT-3-F	4
X.X ± 0.1	X.X' ± 30'		APP'D: P.M	DATE: 26/07/19	CABLE OD 6.0-12.0mm	DRAWING No.	SHEET
X.X ± 0.05	X.X'X" ± 15'	FINISH:	SCALE: 1:1	SIZE: A4	55011198-000-2	2/2	
BREAK ALL SHARP EDGES AND REMOVE ALL BURRS		DO NOT SCALE	THIRD ANGLE PROJECTION				
DIMENSIONS IN MILLIMETRES							