

2-292236-2 ✓ ACTIVE

TE Internal #: 2-292236-2

Connector Assembly, Receptacle, Wire-to-Wire, 22 Position, .059 in [1.5 mm] Centerline, Crimp/IDC, 2 Row, Black, Wire & Cable, Signal, Panel Mount

[View on TE.com >](#)



[Connectors >](#) [PCB Connectors >](#) [Wire-to-Board Connectors >](#) [Wire-to-Board Connector Assemblies & Housings >](#)

MINI CT DRAWER RECEPTACLE HOUSINGS



Connector Product Type: **Connector Assembly**

Connector & Housing Type: **Receptacle**

Connector System: **Wire-to-Wire**

Number of Positions: **22**

Centerline (Pitch): **1.5 mm [.059 in]**

[All MINI CT Drawer Receptacle Housings \(16\)](#)

Features

Product Type Features

Connector Product Type	Connector Assembly
Connector & Housing Type	Receptacle
Connector System	Wire-to-Wire
Sealable	No
Connector & Contact Terminates To	Wire & Cable

Configuration Features

Number of Positions	22
Number of Rows	2

Body Features

Primary Product Color	Black
-----------------------	-------

Contact Features

Contact Current Rating (Max)	1 A
------------------------------	-----

Termination Features

Termination Method to Wire & Cable	Crimp/IDC
------------------------------------	-----------

Mechanical Attachment

--	--



Mating Retention	Without
------------------	---------

Connector Mounting Type	Panel Mount
-------------------------	-------------

Housing Features

Centerline (Pitch)	1.5 mm[.059 in]
--------------------	-----------------

Dimensions

Row-to-Row Spacing	4 mm[.157 in]
--------------------	---------------

Usage Conditions

Operating Temperature Range	-30 – 105 °C[-22 – 221 °F]
-----------------------------	----------------------------

Operation/Application

Circuit Application	Signal
---------------------	--------

Packaging Features

Packaging Method	Loose Piece
------------------	-------------

Product Compliance

[For compliance documentation, visit the product page on TE.com>](#)

EU RoHS Directive 2011/65/EU	Compliant
------------------------------	-----------

EU ELV Directive 2000/53/EC	Compliant
-----------------------------	-----------

China RoHS 2 Directive MIIT Order No 32, 2016	No Restricted Materials Above Threshold
---	---

EU REACH Regulation (EC) No. 1907/2006	Current ECHA Candidate List: JUNE 2023 (235) Candidate List Declared Against: JAN 2023 (233) Does not contain REACH SVHC
--	--

Halogen Content	Not Low Halogen - contains Br or Cl > 900 ppm.
-----------------	--

Solder Process Capability	Not applicable for solder process capability
---------------------------	--

Product Compliance Disclaimer

This information is provided based on reasonable inquiry of our suppliers and represents our current actual knowledge based on the information they provided. This information is subject to change. The part numbers that TE has identified as EU RoHS compliant have a maximum concentration of 0.1% by weight in homogenous materials for lead, hexavalent chromium, mercury, PBB, PBDE, DBP, BBP, DEHP, DIBP, and 0.01% for cadmium, or qualify for an exemption to these limits as defined in the Annexes of Directive 2011/65/EU (RoHS2). Finished electrical and electronic equipment products will be CE marked as required by Directive 2011/65/EU. Components may not be CE marked. Additionally, the part numbers that TE has identified as EU ELV compliant have a maximum concentration of 0.1% by weight in homogenous materials for lead, hexavalent chromium, and mercury, and 0.01% for cadmium, or qualify for an exemption to these limits as defined in the Annexes of Directive 2000/53/EC (ELV). Regarding the REACH Regulation, the information TE provides on SVHC in articles for this part number is based on the latest European Chemicals Agency (ECHA) 'Guidance on requirements for substances in articles' posted at this URL: <https://echa.europa.eu/guidance-documents/guidance-on-reach>

Compatible Parts



TE Part # 2-292234-2
1.5 MINI CT DRAWER 22P PLUG

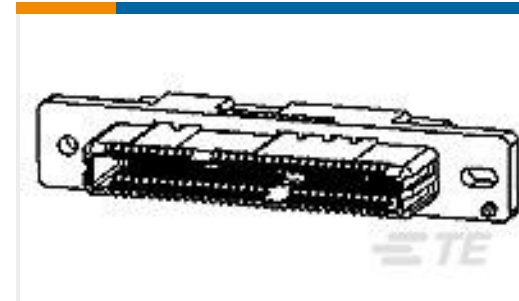
Customers Also Bought



TE Part #292254-6
CT RELAY HDR ASSY 6P NAT



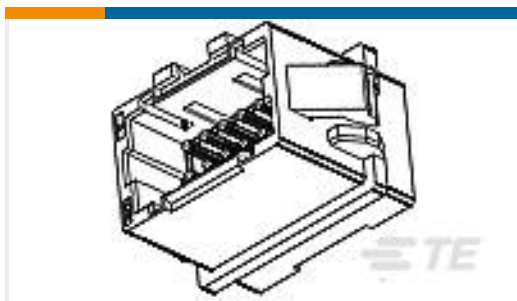
TE Part #2-353293-8
1.5MM CT MT REC ASS'Y 8P BLACK



TE Part #6-292235-0
1.5 MINI CT DRAWER 60P REC



TE Part #6-292254-3
CT RELAY HDR ASSY 3P BLACK



TE Part #3-292216-2
MINI CT D/R RELAY 32P V NAT



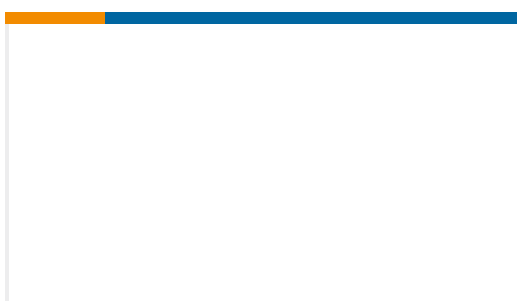
TE Part #3-292215-0
MINI CT SGL RELAY 10P BLACK



TE Part #3-353293-2
1.5MM CT MT REC ASSY 12P BLACK



TE Part #3-292215-2
MINI CT SGL RELAY 12P BLACK



TE Part #8-292112-3
MT REC ASSY (#26,28)



TE Part #8-292155-8
SGL HDR PANEL MOUNT ASSY

Documents

Product Drawings

[1.5 MINI CT DRAWER 22P REC](#)

English

CAD Files

[3D PDF](#)

[3D](#)



Customer View Model

[ENG_CVM_CVM_2-292236-2_B.2d_dxf.zip](#)

English

Customer View Model

[ENG_CVM_CVM_2-292236-2_B.3d_igs.zip](#)

English

Customer View Model

[ENG_CVM_CVM_2-292236-2_B.3d_stp.zip](#)

English

By downloading the CAD file I accept and agree to the [Terms and Conditions](#) of use.

Datasheets & Catalog Pages

[Low Power Drawer Connectors QRG](#)

English

Product Specifications

[Product Specification](#)

English