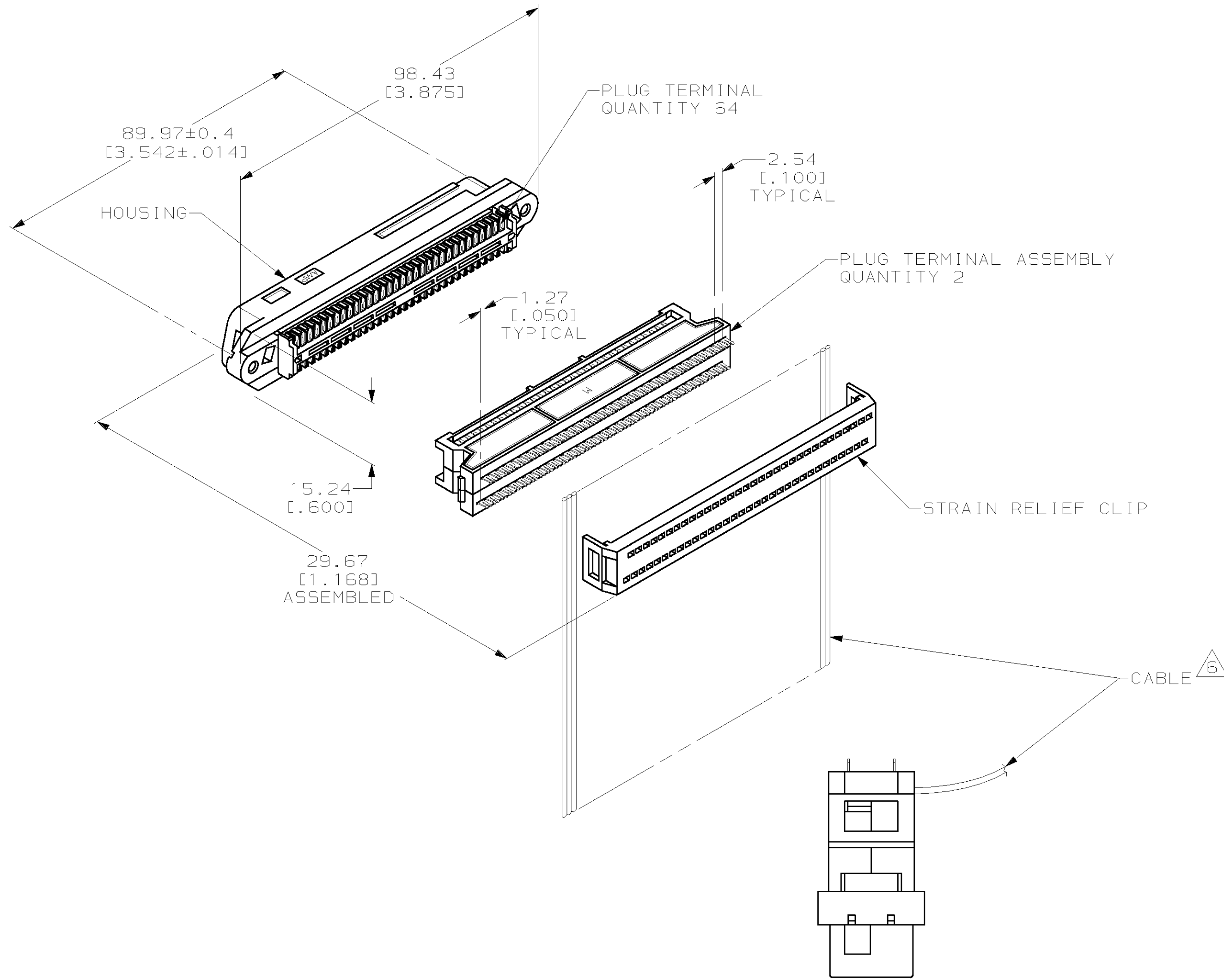


THIS DRAWING IS UNPUBLISHED. RELEASED FOR PUBLICATION .19
 BY AMP INCORPORATED. ALL RIGHTS RESERVED.

LOC	DIST	REVISIONS			
P	LTR	DESCRIPTION	DATE	DWN	APVD
AA	20	D	SUPERSEDED: -3; EC 0G40-0545-98	21JUL99	DLD EWB



1. THE CONTACT SURFACES OF THE TERMINALS ARE COATED WITH LUBRICANT.
2. MATERIAL: HOUSING AND STRAIN RELIEF CLIP - THERMOPLASTIC, BLACK. TERMINALS - GOLD OVER NICKEL PLATED HIGH STRENGTH COPPER ALLOY ON MATING END AND GOLD FLASH OVER NICKEL PLATE ON TERMINATING END. INSERT - ZINC PLATED BRASS.
3. STRAIN RELIEF CLIP SHIPPED UNASSEMBLED.
4. WIRE RANGE: 28 AWG (STRANDED) OR 30 AWG (SOLID) COPPER RIBBON CABLE.
5. ALL DIMENSIONS SHOWN ARE FOR REFERENCE ONLY.
6. RIBBON CABLE SHALL BE FURNISHED BY CUSTOMER.

END VIEW
SCALE 2:1

552837-1
PART NUMBER

THIS DRAWING IS A CONTROLLED DOCUMENT.		DWN DL DRUMMOND 21 JUL 99	AMP Incorporated	
DIMENSIONS: mm [INCHES]		CHK EW BEILES 21 JUL 99	Harrisburg, PA 17105-3608	
TOLERANCES UNLESS OTHERWISE SPECIFIED:		APVD EW BEILES 21 JUL 99	NAME	
0 PLC ±	1 PLC ±	PRODUCT SPEC	PLUG KIT, 64 POSITION, SCREW LOCK, CHAMP-LATCH	
2 PLC ±	3 PLC ±	APPLICATION SPEC	SIZE	RESTRICTED TO
4 PLC ±	ANGLES ±	WEIGHT	A2 00779 C- 552837	-
MATERIAL	FINISH	CUSTOMER DRAWING	SCALE 1:1	SHEET 1 OF 1

552837