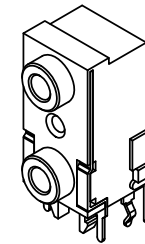
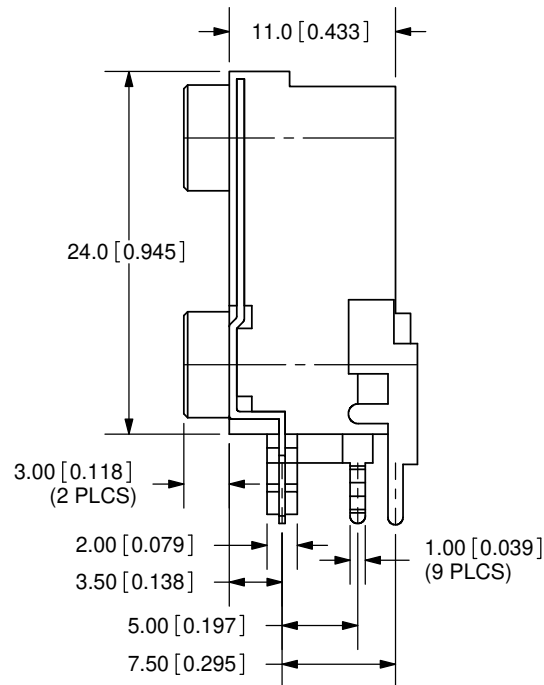
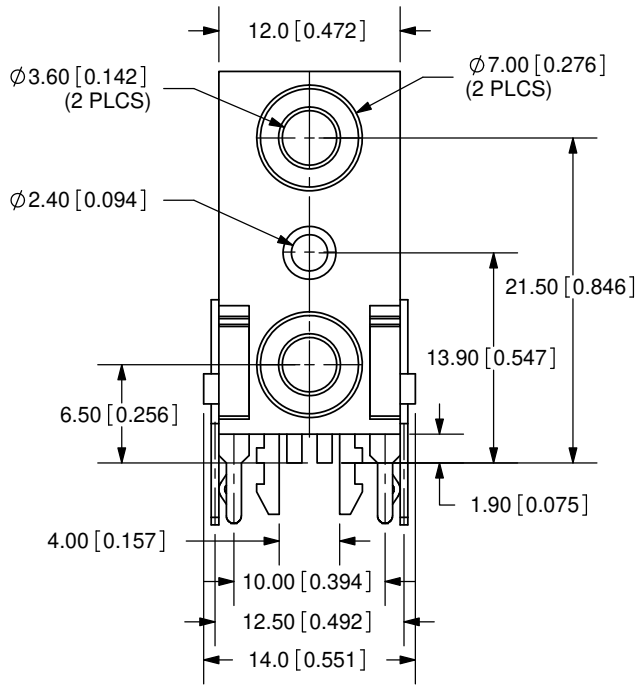
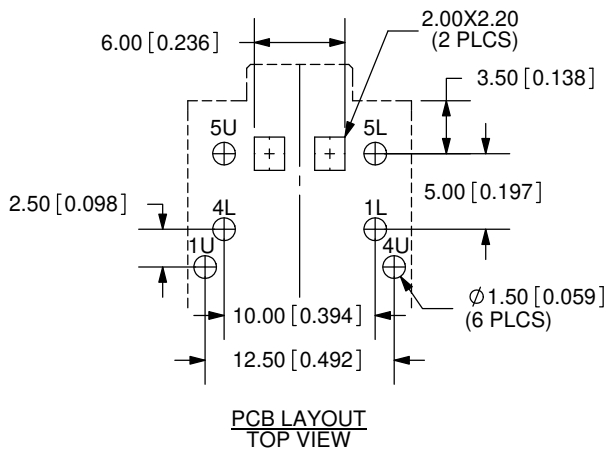
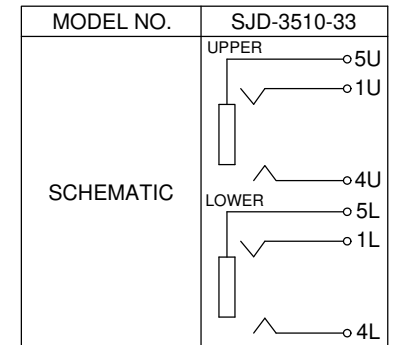


REV.	DESCRIPTION	DATE
C	added kinked pins	1/7/2010
D	tolerance and dimension update	3/11/2010
E	housing material change	2/9/2011



Scale: 1:1



**SPECIFICATIONS:**  
 RATING: 16V DC @ 0.3A  
 CONTACT RESISTANCE: 50m OHMS MAX  
 INSULATION RESISTANCE: 100M OHMS MIN: 500V DC  
 VOLTAGE WITHSTAND: 500V AC R.M.S. FOR 1 MINUTE  
 LIFE: 5,000 CYCLES

TOLERANCE:  
 X.X ±0.3mm  
 X.XX ±0.2mm



20050 SW 112th Ave.  
 Tualatin, OR 97062  
 Phone: 503-612-2300  
 800-275-4899  
 Fax: 503-612-2383  
 Website: www.cui.com

	MATERIAL	PLATING
TERMINAL 1U	Brass	Tin
TERMINAL 4U	Brass	Tin
TERMINAL 5U	PBS	Tin
TERMINAL 1L	PBS	Tin
TERMINAL 4L	PBS	Tin
TERMINAL 5L	PBS	Tin
COVER	PBT HF + PA46 HF	
HOUSING	NY66	

TITLE: DUAL STACK 3.5mm STEREO JACK PCB MT.		REV: E
PART NO. SJD-3510-33		UNITS: MM [INCHES]
DRAWN BY: ZRJ	APPROVED BY:	SCALE: 2:1

PC FILE NAME:  
 SJD-3510-33

COPYRIGHT 2011 BY CUI INC.