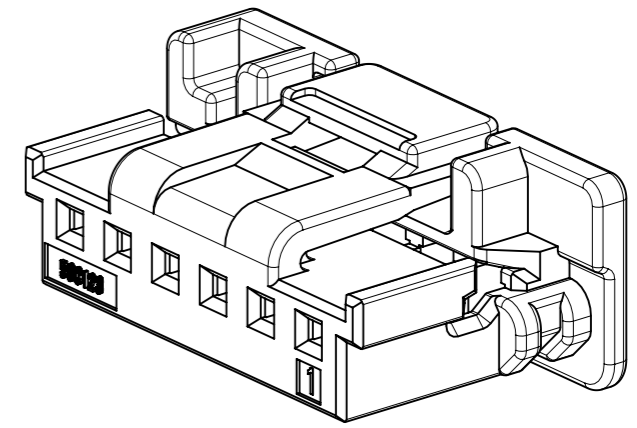
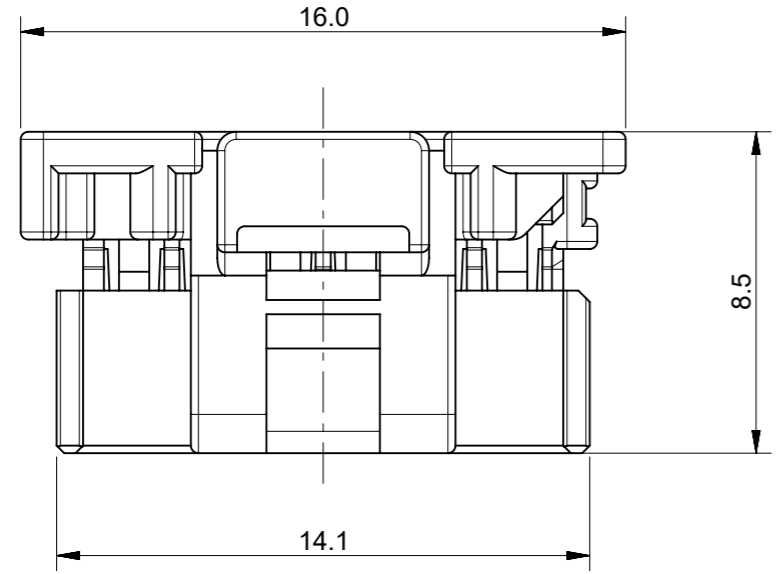
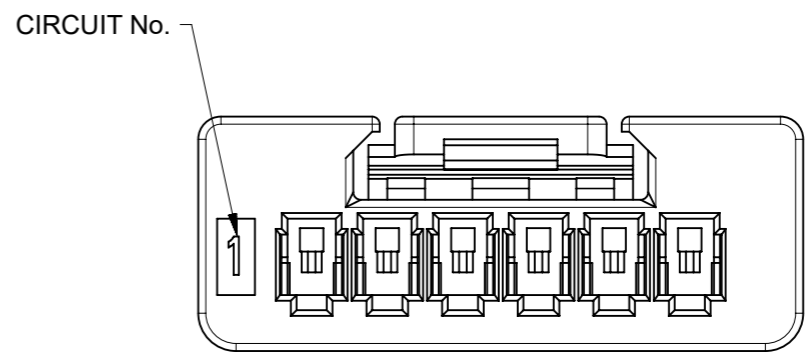
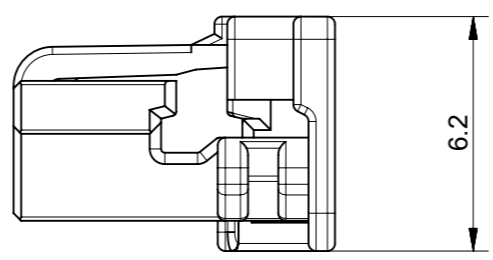
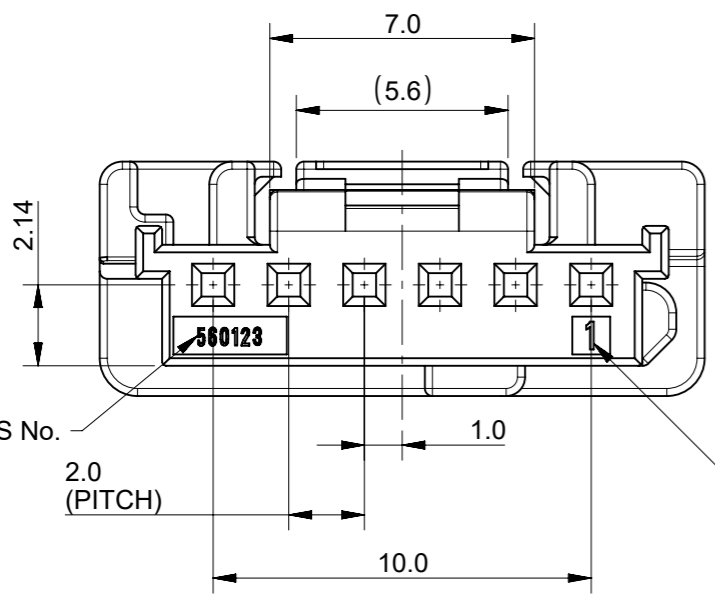


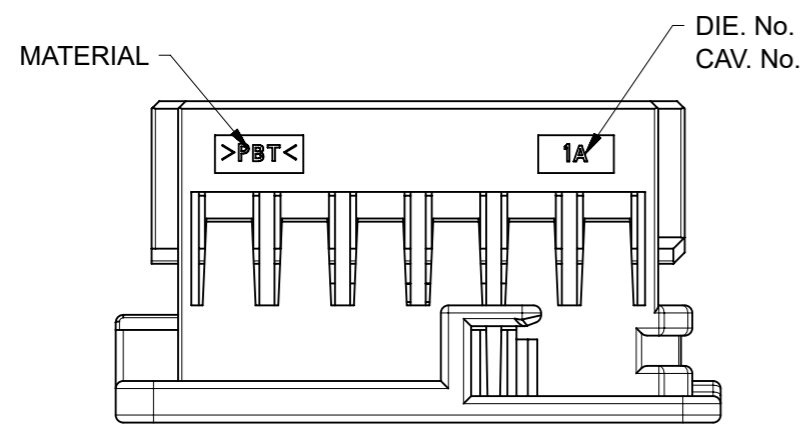
GENERAL TOLERANCE										USED ON
10 MAX	30 MAX	50 MAX	70 MAX	100 MAX	120 MAX	250 MAX	250 OVER	ANGLE	ECCENT	
±0.15	±0.20	±0.30	±0.40	±0.50	±0.75	±0.90	±1.4	±0.5°	0.1	



ISO VIEW



SERIES No. 2.0 (PITCH) 10.0 1.0 CIRCUIT No.



- NOTES:
1. MATERIALS : POLYESTER (PBT), GLASS UNFILLED, UL 94V-0
 2. MATE WITH : 502352, 560020 SERIES
 3. APPLICABLE TERMINAL : 560124 SERIES
 4. APPLICABLE ISL : 560125 SERIES
 5. GENERAL TOLERANCE : SEE TABLE
 6. EVL AND RoHS COMPLIANT
 7. PRODUCT SPECIFICATION : PS-560123-00*
 8. PACKING SPECIFICATION : PK-560123-001

MATERIAL NUMBER

ORDER NO.	MATERIAL NO.	COLOR
560123-0600	5601230600	WHITE
560123-0601	5601230601	BLACK
560123-0602	5601230602	RED
560123-0604	5601230604	BLUE

FUNCTIONAL SYMBOLS	THIS DRAWING CONTAINS INFORMATION THAT IS PROPRIETARY TO MOLEX ELECTRONIC TECHNOLOGIES, LLC AND SHOULD NOT BE USED WITHOUT WRITTEN PERMISSION	CURRENT REV DESC:		molex																							
	<table border="1"> <tr> <th>FUNCTIONAL SYMBOLS</th> <th>DIMENSION UNITS</th> <th>SCALE</th> </tr> <tr> <td>$\nabla_A = 0$</td> <td>mm</td> <td>5:1</td> </tr> <tr> <td>$\nabla_E = 0$</td> <td colspan="2">GENERAL TOLERANCES (UNLESS SPECIFIED)</td> </tr> <tr> <td>$\nabla_V = 0$</td> <td colspan="2">ANGULAR TOL ± °</td> </tr> <tr> <td rowspan="5">DIVISIONAL SYMBOLS</td> <td>4 PLACES</td> <td>±</td> <td rowspan="5"> EC NO: 668822 DRWN: SAKIM CHK'D: HIJIMA APPR: HIJIMA INITIAL REVISION: DRWN: YIBAEK APPR: SRTAK </td> <td rowspan="5"> 2021/07/01 2021/07/05 2021/07/05 2014/07/08 2014/08/26 </td> </tr> <tr> <td>3 PLACES</td> <td>±</td> </tr> <tr> <td>2 PLACES</td> <td>±</td> </tr> <tr> <td>1 PLACE</td> <td>±</td> </tr> <tr> <td>0 PLACES</td> <td>±</td> </tr> </table>	FUNCTIONAL SYMBOLS	DIMENSION UNITS		SCALE	$\nabla_A = 0$	mm	5:1	$\nabla_E = 0$	GENERAL TOLERANCES (UNLESS SPECIFIED)		$\nabla_V = 0$	ANGULAR TOL ± °		DIVISIONAL SYMBOLS	4 PLACES	±	EC NO: 668822 DRWN: SAKIM CHK'D: HIJIMA APPR: HIJIMA INITIAL REVISION: DRWN: YIBAEK APPR: SRTAK	2021/07/01 2021/07/05 2021/07/05 2014/07/08 2014/08/26	3 PLACES	±	2 PLACES	±	1 PLACE	±	0 PLACES	±
FUNCTIONAL SYMBOLS	DIMENSION UNITS	SCALE																									
$\nabla_A = 0$	mm	5:1																									
$\nabla_E = 0$	GENERAL TOLERANCES (UNLESS SPECIFIED)																										
$\nabla_V = 0$	ANGULAR TOL ± °																										
DIVISIONAL SYMBOLS	4 PLACES	±	EC NO: 668822 DRWN: SAKIM CHK'D: HIJIMA APPR: HIJIMA INITIAL REVISION: DRWN: YIBAEK APPR: SRTAK	2021/07/01 2021/07/05 2021/07/05 2014/07/08 2014/08/26																							
	3 PLACES	±																									
	2 PLACES	±																									
	1 PLACE	±																									
	0 PLACES	±																									
PRODUCT CUSTOMER DRAWING				SD-560123-004																							
DOCUMENT NUMBER		DOC TYPE	DOC PART		REVISION																						
DRAFT WHERE APPLICABLE MUST REMAIN WITHIN DIMENSIONS		THIRD ANGLE PROJECTION	DRAWING	SERIES	MATERIAL NUMBER	CUSTOMER	SHEET NUMBER																				
			A3-SIZE	560123	SEE TABLE	GENERAL MARKET	1 OF 1																				