

GloTek, Inc. www.globtek.com 186 Veterans Drive, Northvale, NJ 07647 Tel. (201) 784-1000 Fax (201) 784-0111	Drawing Title: USB A Male 4 PIN or equal to USB A Female 4 PIN or equal, GT Cable #UL 2725 28AWG*1P(White, Green)+ 24AWG*2C(Black, Red) +Shield: SEE CODE / 4 + SHIELD Conductors, 4.2mm OD, UL 2725, 80° Deg.C, V, 28AWG*1P(Green&White) + 24AWG*2C(Red&Black), Approvals: , 1000 +100/-0mm, GlobTek Black	
	Model No. Low voltage cable	
	Part No./Ordering No. USBAM27255C1MUSBAFSW	Rev A1

CUSTOMIZED LENGTHS, COLORS, CABLE TYPES, TERMINATIONS/PLUGS/RECEPTACLES AVAILABLE UPON REQUEST. ADDITIONAL PLUG OPTIONS ARE AVAILABLE AT <https://www.globtek.com/connectors/> STANDARD PLUGS AND CONNECTORS CAN BE SEEN ONLINE AT <https://www.globtek.com/connectors/> ACTUAL CONNECTORS, OVERMOLDS, FERRITES MAY VARY SLIGHTLY FROM THE PICTURE BELOW DIMENSIONS ARE IN MM UNLESS SPECIFIED OTHERWISE

In Addition to GlobTek Inc.'s renewed ISO9001:2008 - Quality Management System Certification, GlobTek Inc. is now certified to:

ISO13485:2003 - Medical Devices Quality Management System Certification
ISO14001:2004 - Environmental Management System Certification

ISO Certificates are available online at <https://www.globtek.com/iso-certificates/>
Prop 65 Statement:<https://en.globtek.com/prop-65-statement.pdf>

The acceptance of this specification and use of the product described in this document indicates the acceptance and binding of the customer to Globtek TERMS AND CONDITIONS (attached to the end of this document), which supersede all other agreements, terms, and conditions (<https://en.globtek.com/terms-and-conditions/>).

The purchaser of this product (Customer) agrees that it is their sole responsibility to determine suitability/fitness of the product described in this specification for their application and to take precautions for protection against any hazards attendant to the handling and use of the product.

Footnote:

GlobTek Inc. will not be liable for the safety and performance of these power supplies if unauthorized access and repair occurs. End user should consult applicable UL, CSA or EN standards for proper installation instruction.

Limitation of Use:

GlobTek products are intended for use with commercial, medical, and/or industrial equipment only. GlobTek product are not authorized for use as mission critical components in life support hazardous environment, nuclear or aircraft applications without prior written approval from the CEO of GlobTek Inc.
Contents of this document are subject to change without prior notice.

Customer Approval of Specification:

Please approve, sign and send back to GlobTek so we can complete order processing.
A delay in receipt of this form will delay delivery schedule.

Company Name: _____	Customer P/N: _____
Quote Number: _____	Date: _____
Authorized Representative Name: _____	Authorized Representative Signature: _____

GlobTek, Inc. www.globtek.com 186 Veterans Drive, Northvale, NJ 07647 Tel. (201) 784-1000 Fax (201) 784-0111	Drawing Title: USB A Male 4 PIN or equal to USB A Female 4 PIN or equal, GT Cable #UL 2725 28AWG*1P(White, Green)+ 24AWG*2C(Black, Red) +Shield: SEE CODE / 4 + SHIELD Conductors, 4.2mm OD, UL 2725, 80° Deg.C, V, 28AWG*1P(Green&White) + 24AWG*2C(Red&Black), Approvals: , 1000 +100/-0mm, GlobTek Black	
	Model No. Low voltage cable	Part No./Ordering No. USBAM27255C1MUSBAFSW
		Rev A1

CUSTOMIZED LENGTHS, COLORS, CABLE TYPES, TERMINATIONS/PLUGS/RECEPTACLES AVAILABLE UPON REQUEST. ADDITIONAL PLUG OPTIONS ARE AVAILABLE AT <https://www.globtek.com/connectors/> STANDARD PLUGS AND CONNECTORS CAN BE SEEN ONLINE AT <https://www.globtek.com/connectors/> ACTUAL CONNECTORS, OVERMOLDS, FERRITES MAY VARY SLIGHTLY FROM THE PICTURE BELOW DIMENSIONS ARE IN MM UNLESS SPECIFIED OTHERWISE

REVISION HISTORY

REV	DESCRIPTION	SUB	DATE	APPROVED
A1	Change Cable conductor from 28AWG*1P(Green&White) + 28AWG*2C(Red&Black), to 28AWG*1P(Green&White) + 24AWG*2C(Red&Black)	QA	03/10/2023	QA
A	Initial release	QA	05/09/2022	QA

Cordset Information:

CordsetColor:GlobTek Black

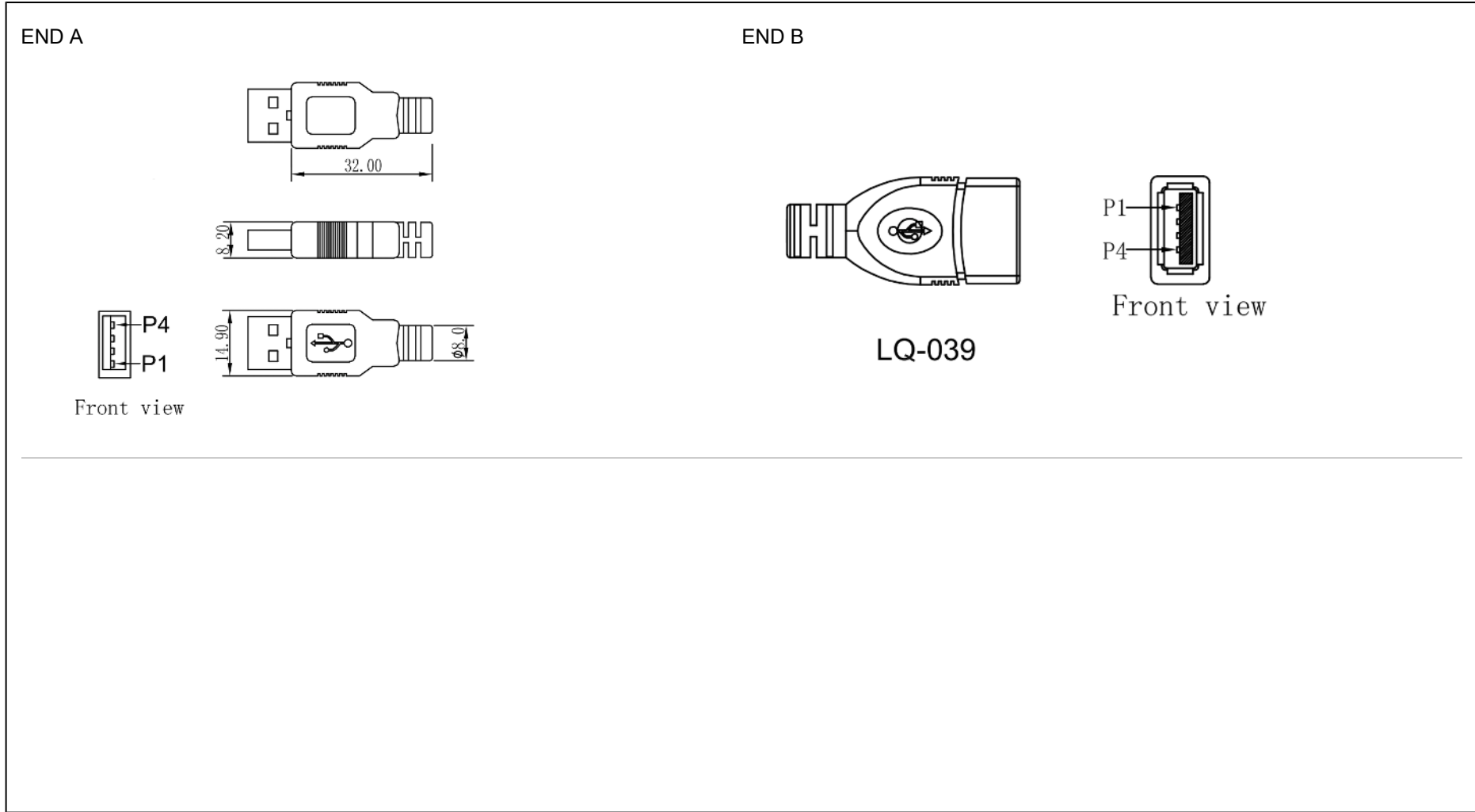
Cord Length (mm):1000 +100/-0

NOTES:

ACTUAL CONNECTORS, OVERMOLDS, FERRITES MAY VARY SLIGHTLY FROM THE PICTURE BELOW

GlobTek, Inc. www.globtek.com 186 Veterans Drive, Northvale, NJ 07647 Tel. (201) 784-1000 Fax (201) 784-0111	Drawing Title: USB A Male 4 PIN or equal to USB A Female 4 PIN or equal, GT Cable #UL 2725 28AWG*1P(White, Green)+ 24AWG*2C(Black, Red) +Shield: SEE CODE / 4 + SHIELD Conductors, 4.2mm OD, UL 2725, 80° Deg.C, V, 28AWG*1P(Green&White) + 24AWG*2C(Red&Black), Approvals: , 1000 +100/-0mm, GlobTek Black	
	Model No. Low voltage cable	Part No./Ordering No. USBAM27255C1MUSBAFSW
		Rev A1

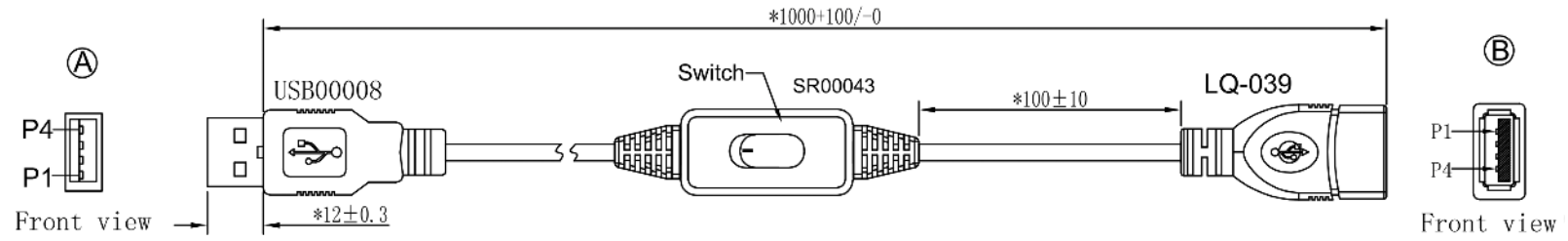
CUSTOMIZED LENGTHS, COLORS, CABLE TYPES, TERMINATIONS/PLUGS/RECEPTACLES AVAILABLE UPON REQUEST. ADDITIONAL PLUG OPTIONS ARE AVAILABLE AT <https://www.globtek.com/connectors/> STANDARD PLUGS AND CONNECTORS CAN BE SEEN ONLINE AT <https://www.globtek.com/connectors/> ACTUAL CONNECTORS, OVERMOLDS, FERRITES MAY VARY SLIGHTLY FROM THE PICTURE BELOW DIMENSIONS ARE IN MM UNLESS SPECIFIED OTHERWISE



GlobTek, Inc. www.globtek.com 186 Veterans Drive, Northvale, NJ 07647 Tel. (201) 784-1000 Fax (201) 784-0111	Drawing Title: USB A Male 4 PIN or equal to USB A Female 4 PIN or equal, GT Cable #UL 2725 28AWG*1P(White, Green)+ 24AWG*2C(Black, Red) +Shield: SEE CODE / 4 + SHIELD Conductors, 4.2mm OD, UL 2725, 80° Deg.C, V, 28AWG*1P(Green&White) + 24AWG*2C(Red&Black), Approvals: , 1000 +100/-0mm, GlobTek Black
	Model No. Low voltage cable
	Part No./Ordering No. USBAM27255C1MUSBAFSW Rev A1

CUSTOMIZED LENGTHS, COLORS, CABLE TYPES, TERMINATIONS/PLUGS/RECEPTACLES AVAILABLE UPON REQUEST. ADDITIONAL PLUG OPTIONS ARE AVAILABLE AT <https://www.globtek.com/connectors/> STANDARD PLUGS AND CONNECTORS CAN BE SEEN ONLINE AT <https://www.globtek.com/connectors/> ACTUAL CONNECTORS, OVERMOLDS, FERRITES MAY VARY SLIGHTLY FROM THE PICTURE BELOW DIMENSIONS ARE IN MM UNLESS SPECIFIED OTHERWISE

CABLE IMAGE



GlobTek, Inc. www.globtek.com 186 Veterans Drive, Northvale, NJ 07647 Tel. (201) 784-1000 Fax (201) 784-0111	Drawing Title: USB A Male 4 PIN or equal to USB A Female 4 PIN or equal, GT Cable #UL 2725 28AWG*1P(White, Green)+ 24AWG*2C(Black, Red) +Shield: SEE CODE / 4 + SHIELD Conductors, 4.2mm OD, UL 2725, 80° Deg.C, V, 28AWG*1P(Green&White) + 24AWG*2C(Red&Black), Approvals: , 1000 +100/-0mm, GlobTek Black	
	Model No. Low voltage cable	
	Part No./Ordering No. USBAM27255C1MUSBAFSW	Rev A1

CUSTOMIZED LENGTHS, COLORS, CABLE TYPES, TERMINATIONS/PLUGS/RECEPTACLES AVAILABLE UPON REQUEST. ADDITIONAL PLUG OPTIONS ARE AVAILABLE AT <https://www.globtek.com/connectors/> STANDARD PLUGS AND CONNECTORS CAN BE SEEN ONLINE AT <https://www.globtek.com/connectors/> ACTUAL CONNECTORS, OVERMOLDS, FERRITES MAY VARY SLIGHTLY FROM THE PICTURE BELOW DIMENSIONS ARE IN MM UNLESS SPECIFIED OTHERWISE

End A Code:USBAM-2 (USB00008) Description:USB A Male 4 PIN or equal Rating (V):20 Rating (A):5.0 Gender:Male Overmolded:Yes	Cable Code:UL 2725 28AWG*1P(White, Green)+ 24AWG*2C(Black, Red) +Shield Description:GT Cable #UL 2725 28AWG*1P(White, Green)+ 24AWG*2C(Black, Red) +Shield: SEE CODE / 4 + SHIELD Conductors, 4.2mm OD, UL 2725, 80° Deg.C, V, 28AWG*1P(Green&White) + 24AWG*2C(Red&Black), Approvals: Color:GlobTek Black Wire Gauge(AWG):SEE CODE Cond:4 + SHIELD Type:UL 2725 Temperature:80° C Amps: Volts: OD:4.2 ConductorsColors:28AWG*1P(Green&White) + 24AWG*2C(Red&Black)	End B Code:USBAF (LQ-039) Description:USB A Female 4 PIN or equal Rating (V): Rating (A): Gender:Female Overmolded:Yes																					
Overall cable rating:20V 3A																							
<table border="1" style="width:100%; background-color:#333; color:#fff;"> <thead> <tr> <th style="width:33%;">Plug Approvals</th> <th style="width:33%;">Cable Approvals</th> <th style="width:33%;">Connector Approvals</th> </tr> </thead> <tbody> <tr> <td>AGENCY ONLINE DOCUMENTS</td> <td>http://www.globtek.info/certs/USB%20cables/</td> <td></td> </tr> <tr> <td>RoHS/RoHS3 Declaration</td> <td>https://www.globtek.com/pdf/rohs_cert/01t3a000005KyWmAAK</td> <td></td> </tr> <tr> <td>REACH Declaration</td> <td>https://www.globtek.com/pdf/iso_certificates/REACH.pdf</td> <td></td> </tr> <tr> <td>Conflict Minerals Declaration</td> <td>https://www.globtek.com/pdf/conflict-minerals.pdf</td> <td></td> </tr> <tr> <td>Prop 65 Statement</td> <td>https://en.globtek.com/prop-65-statement.pdf</td> <td></td> </tr> <tr> <td>CE.UKCA.Cord</td> <td>https://globtek.secure.force.com/spec/ec_decl_product_model_family_incl_cord?id=01t3a000005KyWm</td> <td></td> </tr> </tbody> </table>			Plug Approvals	Cable Approvals	Connector Approvals	AGENCY ONLINE DOCUMENTS	http://www.globtek.info/certs/USB%20cables/		RoHS/RoHS3 Declaration	https://www.globtek.com/pdf/rohs_cert/01t3a000005KyWmAAK		REACH Declaration	https://www.globtek.com/pdf/iso_certificates/REACH.pdf		Conflict Minerals Declaration	https://www.globtek.com/pdf/conflict-minerals.pdf		Prop 65 Statement	https://en.globtek.com/prop-65-statement.pdf		CE.UKCA.Cord	https://globtek.secure.force.com/spec/ec_decl_product_model_family_incl_cord?id=01t3a000005KyWm	
Plug Approvals	Cable Approvals	Connector Approvals																					
AGENCY ONLINE DOCUMENTS	http://www.globtek.info/certs/USB%20cables/																						
RoHS/RoHS3 Declaration	https://www.globtek.com/pdf/rohs_cert/01t3a000005KyWmAAK																						
REACH Declaration	https://www.globtek.com/pdf/iso_certificates/REACH.pdf																						
Conflict Minerals Declaration	https://www.globtek.com/pdf/conflict-minerals.pdf																						
Prop 65 Statement	https://en.globtek.com/prop-65-statement.pdf																						
CE.UKCA.Cord	https://globtek.secure.force.com/spec/ec_decl_product_model_family_incl_cord?id=01t3a000005KyWm																						
IPXY rating is based on 3rd party testing and customers should check suitability and test system level IPXY rating before ordering.																							

PROPRIETARY INFORMATION

PROPRIETARY OF GLOBTEK, INC. ANY REPRODUCTION, DISCLOSURE OR USE OF THIS DRAWING, IN WHOLE OR IN PART, IS HEREBY PROHIBITED EXCEPT AS SPECIFIED IN WRITING BY GLOBTEK, INC. © GlobTek, Inc. 2022 - 2023

quest /10/19/2023 9:15:31 AM CLONED FROM USBCM301M0USBAMBKR

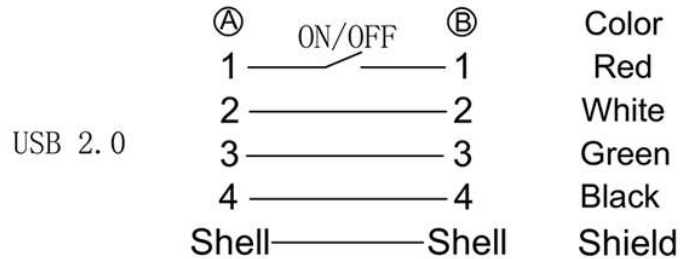
GlobTek, Inc. www.globtek.com 186 Veterans Drive, Northvale, NJ 07647 Tel. (201) 784-1000 Fax (201) 784-0111	Drawing Title: USB A Male 4 PIN or equal to USB A Female 4 PIN or equal, GT Cable #UL 2725 28AWG*1P(White, Green)+ 24AWG*2C(Black, Red) +Shield: SEE CODE / 4 + SHIELD Conductors, 4.2mm OD, UL 2725, 80° Deg.C, V, 28AWG*1P(Green&White) + 24AWG*2C(Red&Black), Approvals: , 1000 +100/-0mm, GlobTek Black	
	Model No. Low voltage cable	Part No./Ordering No. USBAM27255C1MUSBAFSW
		Rev A1

CUSTOMIZED LENGTHS, COLORS, CABLE TYPES, TERMINATIONS/PLUGS/RECEPTACLES AVAILABLE UPON REQUEST. ADDITIONAL PLUG OPTIONS ARE AVAILABLE AT <https://www.globtek.com/connectors/> STANDARD PLUGS AND CONNECTORS CAN BE SEEN ONLINE AT <https://www.globtek.com/connectors/> ACTUAL CONNECTORS, OVERMOLDS, FERRITES MAY VARY SLIGHTLY FROM THE PICTURE BELOW DIMENSIONS ARE IN MM UNLESS SPECIFIED OTHERWISE

Hanking: Bulk, BUNDLE 10
 Description: Bulk Packed in bundles of 10
 Image:
 N/A

Notes/Modifications/Customizations (notes in this section supersede the values shown in the standard spec):

Wiring diagram:



GlobTek, Inc. www.globtek.com 186 Veterans Drive, Northvale, NJ 07647 Tel. (201) 784-1000 Fax (201) 784-0111	Drawing Title: USB A Male 4 PIN or equal to USB A Female 4 PIN or equal, GT Cable #UL 2725 28AWG*1P(White, Green)+ 24AWG*2C(Black, Red) +Shield: SEE CODE / 4 + SHIELD Conductors, 4.2mm OD, UL 2725, 80° Deg.C, V, 28AWG*1P(Green&White) + 24AWG*2C(Red&Black), Approvals: , 1000 +100/-0mm, GlobTek Black	
	Model No. Low voltage cable	Part No./Ordering No. USBAM27255C1MUSBAFSW
		Rev A1

CUSTOMIZED LENGTHS, COLORS, CABLE TYPES, TERMINATIONS/PLUGS/RECEPTACLES AVAILABLE UPON REQUEST. ADDITIONAL PLUG OPTIONS ARE AVAILABLE AT <https://www.globtek.com/connectors/> STANDARD PLUGS AND CONNECTORS CAN BE SEEN ONLINE AT <https://www.globtek.com/connectors/> ACTUAL CONNECTORS, OVERMOLDS, FERRITES MAY VARY SLIGHTLY FROM THE PICTURE BELOW DIMENSIONS ARE IN MM UNLESS SPECIFIED OTHERWISE

Switch openwise 303-12 series

