

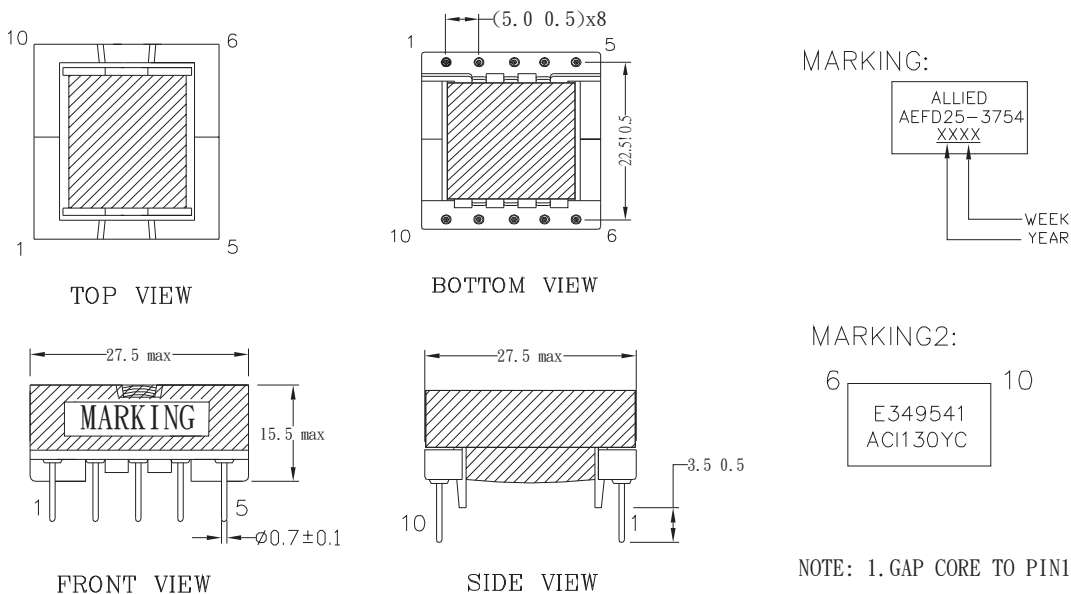


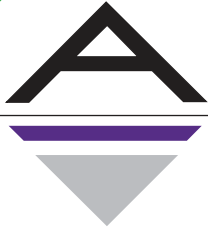
- UL Class B 130 Insulation System File # E349541
- Designed for use in Lighting Applications
- Other winding configurations available

Primary Electrical Specifications @ 25°C					
S - F	INDUCTANCE F=1KHZ,1.0VRMS,25°C	LEAKAGE INDUCTANCE F=1 KHZ, 1VRMS,25°C (SHORT SEC PINS)	DCR 25°C (MAX)	TURN RATIO	
3 - 5	1.752mH±10%	-	1090 mOhm	93 Ts	
2 - 1	-	-	145 mOhm	22 Ts	
Secondary Electrical Specifications @ 25°C					
S - F	INDUCTANCE F=1KHZ,1.0VRMS,25°C	LEAKAGE INDUCTANCE F=1KHZ,1.0VRMS (SHORT PIN)	DCR 25°C (MAX)	TURN RATIO	
8 - 10	-	-	70 mOhm	14Ts	
Hi - Pot / Insulation Resistance					
LOCAT. \ DESC.	PRI-PRI	PRI-SEC	SEC-SEC	PRI-CORE	SEC-CORE
HI-POT (50Hz/60Hz)	-	3000V _{ac} 5mA, 2SEC	-	1000V _{ac} 5mA, 2SEC	1000V _{ac} 5mA, 2SEC
INSULATION RESISTANCE	-	500V _{dc} 100 MOhm min	-	500V _{dc} 100 MOhm min	500V _{dc} 100 MOhm min

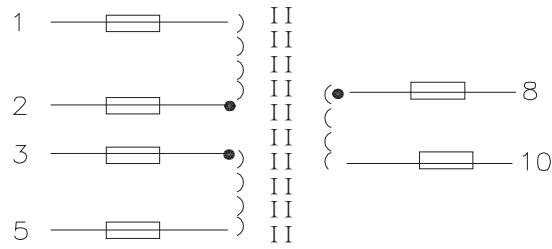
All specifications subject to change without notice.

MECHANICAL





SCHEMATICS



● Start □ Tube