



**Z88C00**

***CMOS Super8 ROMless  
MCU***

**Product Specification**

PS014602-0103



This publication is subject to replacement by a later edition. To determine whether a later edition exists, or to request copies of publications, contact:

**ZiLOG Worldwide Headquarters**

532 Race Street  
San Jose, CA 95126-3432  
Telephone: 408.558.8500  
Fax: 408.558.8300  
[www.ZiLOG.com](http://www.ZiLOG.com)

Windows is a registered trademark of Microsoft Corporation.

**Document Disclaimer**

© 2003 by ZiLOG, Inc. All rights reserved. Information in this publication concerning the devices, applications, or technology described is intended to suggest possible uses and may be superseded. ZILOG, INC. DOES NOT ASSUME LIABILITY FOR OR PROVIDE A REPRESENTATION OF ACCURACY OF THE INFORMATION, DEVICES, OR TECHNOLOGY DESCRIBED IN THIS DOCUMENT. ZILOG ALSO DOES NOT ASSUME LIABILITY FOR INTELLECTUAL PROPERTY INFRINGEMENT RELATED IN ANY MANNER TO USE OF INFORMATION, DEVICES, OR TECHNOLOGY DESCRIBED HEREIN OR OTHERWISE. Except with the express written approval ZILOG, use of information, devices, or technology as critical components of life support systems is not authorized. No licenses or other rights are conveyed, implicitly or otherwise, by this document under any intellectual property rights.



# *Table of Contents*

FEATURES .....	1
GENERAL DESCRIPTION .....	1
Protopack .....	4
ARCHITECTURE .....	5
PIN DESCRIPTIONS .....	6
REGISTERS .....	7
Working Register Window .....	8
Register List .....	9
MODE AND CONTROL REGISTERS .....	12
I/O PORTS .....	17
UART .....	20
Pins .....	20
ADDRESS SPACE .....	21
CPU Program Memory .....	22
ROMless .....	22
ROM and Protopack .....	22
CPU Data Memory .....	22
INSTRUCTION SET .....	23
Instruction Pointer .....	23
Flag Register .....	24
Condition Codes .....	25
Addressing Modes .....	25
INSTRUCTION SUMMARY .....	29
SUPER-8 OPCODE MAP .....	38
INSTRUCTIONS .....	39
INTERRUPTS .....	42
Sources .....	42
Vectors .....	42
Levels .....	42
Enables .....	43
Service Routines .....	44
Fast Interrupt Processing .....	44
Level or Edge Triggered .....	45
STACK OPERATION .....	45
User-Defined Stacks .....	45
COUNTER/TIMERS .....	46



DMA .....	46
ABSOLUTE MAXIMUM RATINGS .....	47
STANDARD TEST CONDITIONS .....	47
DC CHARACTERISTICS .....	48
INPUT HANDSHAKE TIMING .....	48
AC CHARACTERISTICS (20 MHz) .....	49
Input Handshake .....	49
OUTPUT HANDSHAKE TIMING .....	50
AC CHARACTERISTICS (12 MHz, 20 MHz) .....	50
Output Handshake .....	50
AC CHARACTERISTICS (12 MHz) .....	51
Read /Write .....	51
AC CHARACTERISTICS (20 MHz) .....	52
Read /Write .....	52
AC CHARACTERISTICS (20 MHz) .....	54
EPROM Read Cycle .....	54
Example: .....	54
Packaging Information .....	54



## *List of Figures*

Figure 1. Pin Assignments 88-Pin PLCC .....	2
Figure 2. Pin Assignments 44-Pin PLCC .....	2
Figure 3. Pin Assignments 48-Pin DIP .....	3
Figure 4. Pin Functions 48-Pin DIP .....	3
Figure 5. Pin Assignments 28-Pin Piggyback Socket .....	4
Figure 6. Pin Functions 28-Pin Piggyback Socket .....	4
Figure 7. Functional Block Diagram .....	5
Figure 8. Super8 Registers .....	8
Figure 9. Working Register Window .....	9
Figure 10. Mode and Control Registers .....	12
Figure 11. Mode and Control Registers (Continued) .....	13
Figure 12. Mode and Control Registers (Continued) .....	14
Figure 13. Mode and Control Registers (Continued) .....	15
Figure 14. Mode and Control Registers (Continued) .....	16
Figure 15. Mode and Control Registers (Continued) .....	17
Figure 16. Program and Data Memory Address Spaces .....	23
Figure 17. Instruction Formats .....	28
Figure 18. Instruction Formats (Continued) .....	28
Figure 19. Opcode Map .....	38
Figure 20. Interrupt Levels and Vectors .....	43
Figure 21. Standard Test Load .....	47
Figure 22. Fully Interlocked Mode .....	48
Figure 23. Strobed Mode .....	49
Figure 24. Fully Interlocked Mode .....	50
Figure 25. Strobed Mode .....	50
Figure 26. External Memory Read and Write Timing .....	53
Figure 27. EPROM Read Timing .....	53
Figure 28. 44-Pin PLCC .....	54
Figure 29. 48-Pin DIP .....	55



## *List of Tables*

Table 1. Super-8 Registers .....	10
Table 2. Port Configuration .....	18
Table 3. Pin Assignments for Ports 2 and 3.....	19
Table 4. Condition Codes and Meanings .....	25
Table 5. Instruction Set Notations .....	27
Table 6. Instruction Summary .....	29
Table 7. Second Nibble .....	37
Table 8. Super8 Instructions .....	39
Table 9. DC Characteristics .....	48
Table 10. AC Characteristics (20 MHz) Input Handshake .....	49
Table 11. AC Characteristics (12 MHz, 20 MHz) Output Handshake .....	50
Table 12. AC Characteristics (12 MHz) Read/Write .....	51
Table 13. AC Characteristics (20 MHz) Read/Write.....	52
Table 14. AC Characteristics (20 MHz) EPROM Read Cycle .....	54



## FEATURES

- Improved Z8® instruction set includes multiply and divide instructions, Boolean and BCD operations.
- Additional instructions support threaded-code languages, such as "Forth."
- 325 byte registers, including 272 general-purpose registers, and 53 mode and control registers.
- Addressing of up to 128K bytes of memory. Two register pointers allow use of short and fast instructions to access register groups within 600 nsec.
- Direct Memory Access controller (DMA).
- Two 16-bit counter/timers.
- Up to 32 bit-programmable and 8 byte-programmable I/O lines, with 2 handshake channels.
- Interrupt structure supports:
  - 27 interrupt sources
  - 16 interrupt vectors (2 reserved for future versions)
  - 8 interrupt levels
  - Servicing in 600 nsec. (1 level only)
- Full-duplex UART with special features.
- On-chip oscillator.
- 20 MHz clock.
- 8K byte ROM for Z8820

## GENERAL DESCRIPTION

The Zilog Super8 single-chip MCU can be used for development and production. It can be used as I/O- or memory-intensive computers, or configured to address external memory while still supporting many I/O lines.

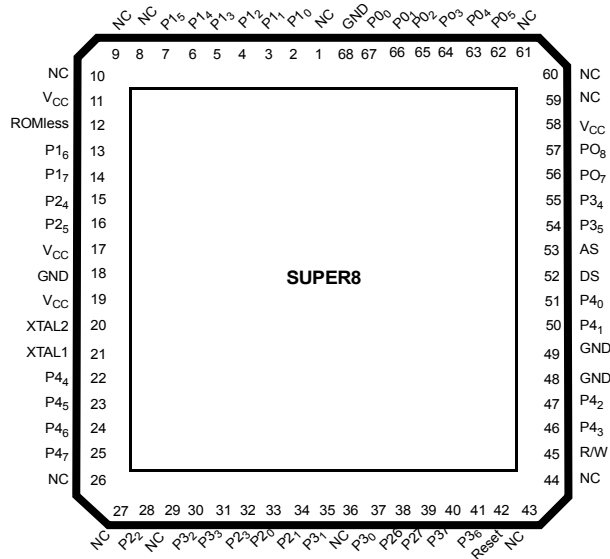


Figure 1. Pin Assignments 88-Pin PLCC

The Super8 features a full-duplex universal asynchronous receiver/ transmitter (UART) with on-chip baud rate generator, two programmable counter/timers, a direct memory access (DMA) controller, and an on-chip oscillator.

The Super8 is also available as a 48-pin and 68-pin ROMless microcomputer with four byte-wide I/O ports plus a byte-wide address/data bus. Additional address bits can be configured, up to a total of 16.

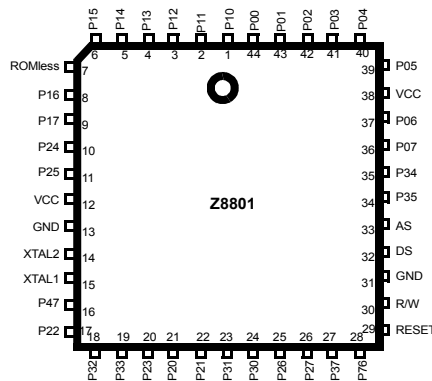


Figure 2. Pin Assignments 44-Pin PLCC



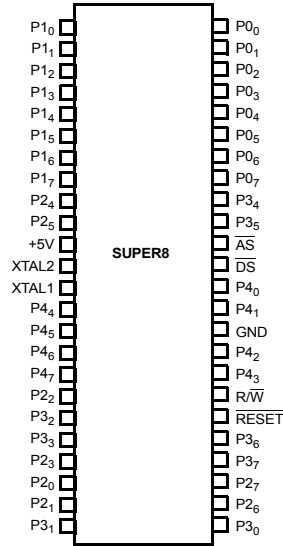


Figure 3. Pin Assignments 48-Pin DIP

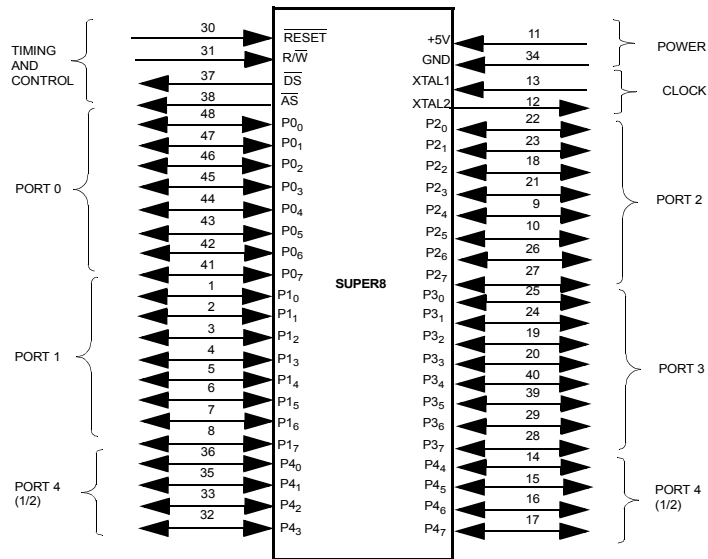


Figure 4. Pin Functions 48-Pin DIP

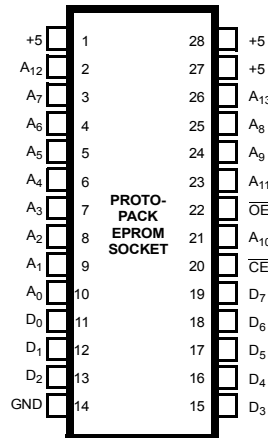


Figure 5. Pin Assignments 28-Pin Piggyback Socket

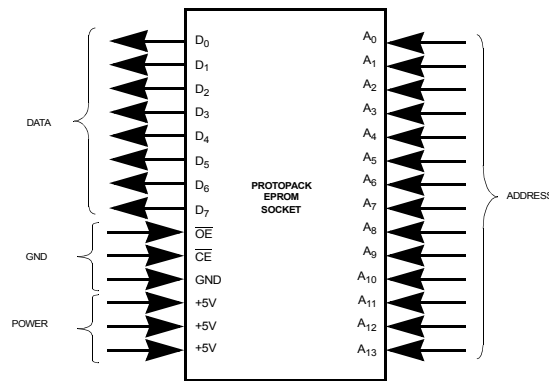


Figure 6. Pin Functions 28-Pin Piggyback Socket

## Protopack

This part functions as an emulator for the basic microcomputer. It uses the same package and pin-out as the basic microcomputer but also has a 28-pin "piggy back" socket on the top into which a ROM or EPROM can be installed. The socket is designed to accept a type 2764 EPROM.

This package permits the protopack to be used in prototype and final PC boards while still permitting user program development. When a final program is devel-

oped, it can be mask-programmed into the production microcomputer device, directly replacing the emulator. The protopack part is also useful in situations where the cost of mask-programming is prohibitive or where program flexibility is desired.

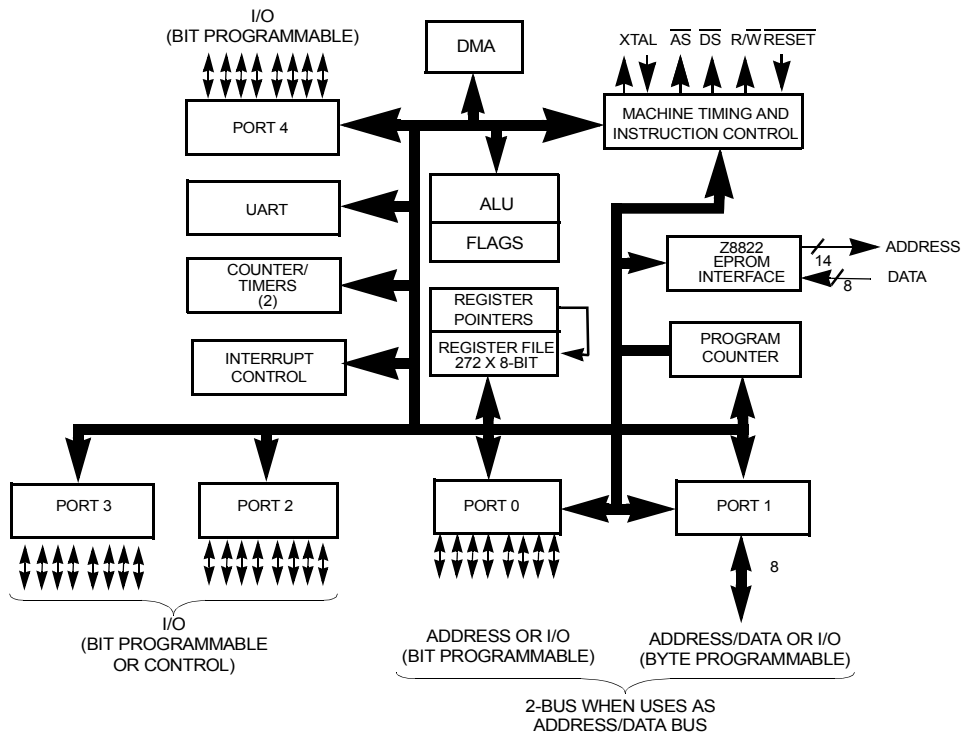


Figure 7. Functional Block Diagram

## ARCHITECTURE

The Super8 architecture includes 325 byte-wide internal registers. 272 of these are available for general purpose use; the remaining 53 provide control and mode functions.

The instruction set is specially designed to deal with this large register set. It includes a full complement of 8-bit arithmetic and logical operations, including multiply and divide instructions and provisions for BCD operations. Addresses and counters can be incremented and decremented as 16-bit quantities. Rotate, shift, and bit manipulation instructions are provided. Three new instructions support threaded-code languages. The UART is a full-function multipurpose asynchronous serial channel with many premium features.



The 16-bit counters can operate independently or be cascaded to perform 32-bit counting and timing operations. The DMA controller handles transfers to and from the register file or memory. DMA can use the UART or one of two ports with handshake capability.

The architecture appears in the block diagram (Figure 7).

## PIN DESCRIPTIONS

The Super8 connects to external devices via the following TTL-compatible pins:

**$\overline{AS}$ .** *Address Strobe* (output, active Low).  $\overline{AS}$  is pulsed Low once at the beginning of each machine cycle. The rising edge indicates that addresses R/W and DM, when used, are valid.

**$\overline{DS}$ .** *Data Strobe* (output, active Low).  $\overline{DS}$  provides timing for data movement between the address/data bus and external memory. During write cycles, data output is valid at the leading edge of  $\overline{DS}$ . During read cycles, data input must be valid prior to the trailing edge of  $\overline{DS}$ .

**P0<sub>0</sub>-P0<sub>7</sub>, P1<sub>0</sub>-P1<sub>7</sub>, P2<sub>0</sub>-P2<sub>7</sub>, P3<sub>0</sub>-P3<sub>7</sub>, P4<sub>0</sub>-P4<sub>7</sub>.** *Port I/O Lines* (input/output). These 40 lines are divided into five 8-bit I/O ports that can be configured under program control for I/O or external memory interface.

In the ROMless devices, Port 1 is dedicated as a multiplexed address/data port, and Port 0 pins can be assigned as additional address lines; Port 0 non-address pins may be assigned as I/O. In the ROM and protopack, Port 1 can be assigned as input or output, and Port 0 can be assigned as input or output on a bit by bit basis.

Ports 2 and 3 can be assigned on a bit-for-bit basis as general I/O or interrupt lines. They can also be used as special-purpose I/O lines to support the UART, counter/timers, or handshake channels.

Port 4 is used for general I/O.

During reset, all port pins are configured as inputs (high impedance) except for Port 1 and Port 0 in the ROMless devices. In these, Port 1 is configured as a multiplexed address/data bus, and Port 0 pins P0<sub>0</sub>-P0<sub>4</sub> are configured as address out, while pins P0<sub>5</sub>-P0<sub>7</sub> are configured as inputs.

**$\overline{RESET}$ .** *Reset* (input, active Low). Reset initializes and starts the Super8. When it is activated, it halts all processing; when it is deactivated, the Super8 begins processing at address 0020H.

**ROMless.** (input, active High). This input controls the operation mode of a 68-pin Super8. When connected to VCC, the part functions as a ROMless Z8800. When connected to GND, the part functions as a Z8820 ROM part.



**$\overline{R/\overline{W}}$** . *Read/Write* (output).  $\overline{R/\overline{W}}$  determines the direction of data transfer for external memory transactions. It is Low when writing to program memory or data memory, and High for everything else.

**XTAL1, XTAL2**. (Crystal oscillator input.) These pins connect a parallel resonant crystal or an external clock source to the on-board clock oscillator and buffer.

## REGISTERS

The Super8 contains a 256-byte internal register space. However, by using the upper 64 bytes of the register space more than once, a total of 325 registers are available.

Registers from 00 to BF are used only once. They can be accessed by any register command. Register addresses C0 to FF contain two separate sets of 64 registers. One set, called control registers, can only be accessed by register direct commands. The other set can only be addressed by register indirect, indexed, stack, and DMA commands.

The uppermost 32 register direct registers (E0 to FF) are further divided into two banks (0 and 1), selected by the Bank Select bit in the Flag register. When a Register Direct command accesses a register between E0 and FF, it looks at the Bank Select bit in the Flag register to select one of the banks.

The register space is shown in Figure 8.

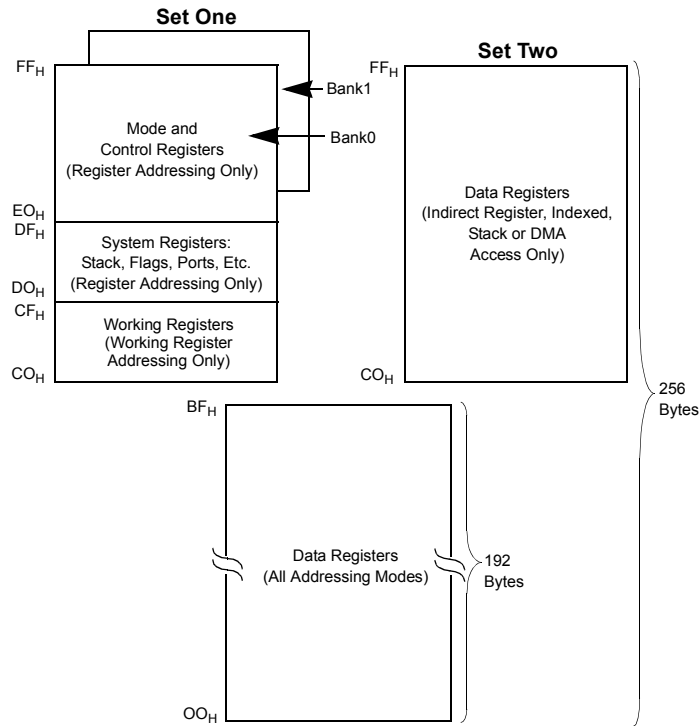


Figure 8. Super8 Registers

## Working Register Window

Control registers R214 and R215 are the register pointers, RPO and RP1. They each define a moveable, 8-register section of the register space. The registers within these spaces are called working registers.

Working registers can be accessed using short 4-bit addresses. The process, shown in section a of Figure 9, works as follows:

- The high-order bit of the 4-bit address selects one of the two register pointers (0 selects RPO; 1 selects RP1).
- The five high-order bits in the register pointer select an 8-register (contiguous) slice of the register space.
- The three low-order bits of the 4-bit address select one of the eight registers in the slice.

The net effect is to concatenate the five bits from the register pointer to the three bits from the address to form an 8-bit address. As long as the address in the regis-

ter pointer remains unchanged, the three bits from the address always point to an address within the same eight registers.

The register pointers can be moved by changing the five high bits in control registers R214 for RP0 and R215 for RP1.

The working registers can also be accessed by using full 8-bit addressing. When an 8-bit logical address in the range 192 to 207 (CO to CF) is specified, the lower nibble is used similarly to the 4-bit addressing described above. This is shown in section b of Figure 9.

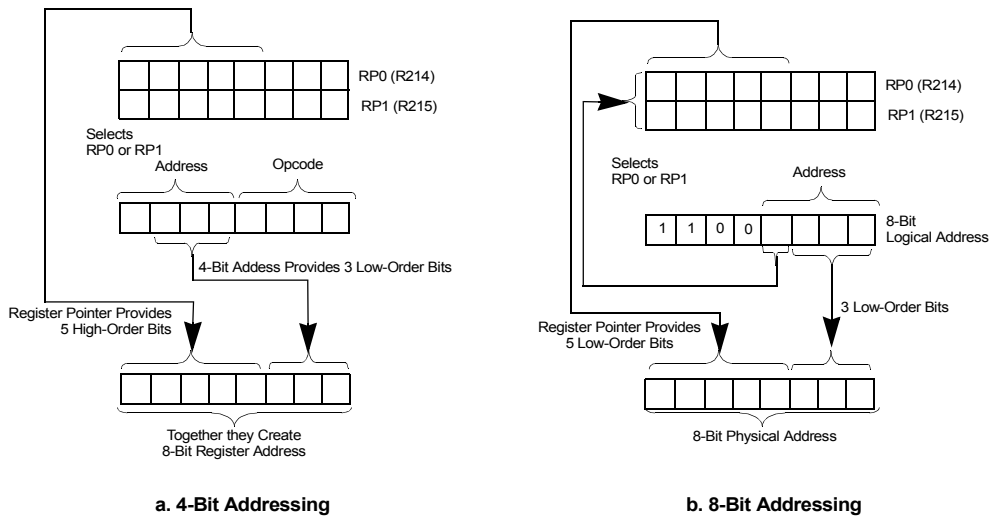


Figure 9. Working Register Window

Since any direct access to logical addresses 192 to 207 involves the register pointers, the physical registers 192 to 207 can be accessed only when selected by a register pointer. After a reset, RP0 points to R192 and RP1 points to R200.

## Register List

Super-8 Registers lists the Super8 registers. For more details, see Figure 10.



Table 15.Super-8 Registers

Address				
Decimal	Hexadecimal		Mnemonic	Function
<b>General-Purpose Registers</b>				
000-192	00-BF		-	General purpose (all address modes)
192-207	C0-CF		-	Working register (direct only)
192-255	C0-FF		-	General purpose (indirect only)
<b>Mode and Control Registers</b>				
208	D0		P0	Port 0 I/O bits
209	D1		P1	Port 1 (I/O only)
210	D2		P2	Port 2
211	D3		P3	Port 3
212	D4		P4	Port 4
213	D5		FLAGS	System Flags Register
214	D6		RP0	Register Pointer 0
215	D7		RP1	Register Pointer 1
216	D8		SPH	Stack Pointer High Byte
217	D9		SPL	Stack Pointer Low Byte
218	DA		IPH	Instruction Pointer High Byte
219	DB		IPL	Instruction Pointer Low Byte
220	DC		IRQ	Interrupt Request
221	DD		IMR	Interrupt Mask Register
222	DE		SYM	System Mode
224	E0	Bank 0	C0CT	CTR 0 Control
		Bank 1	COM	CTR 0 Mode
225	E1	Bank 0	C1CT	CTR 1 Control
		Bank 1	C1M	CTR 1 Mode
226	E2	Bank 0	C0CH	CTR 0 Capture Register, bits 8-15
		Bank 1	CTCH	CTR 0 Timer Constant, bits 8-15
227	E3	Bank 0	C0CL	CTR 0 Capture Register, bits 0-7





**Table 15. Super-8 Registers (Continued)**

Address				
Decimal	Hexadecimal		Mnemonic	Function
		Bank 1	CTCL	CTR 0 Time Constant, bits 0-7
228	E4	Bank 0	C1CH	CTR 1 Capture Register, bits 8-15
		Bank 1	C1TCH	CTR 1 Time Constant, bits 8-15
229	E5	Bank 0	C1CL	CTR 1 Capture Register, bits 0-7
		Bank 1	C1TCL	CTR 1 Time Constant, bits 0-7
235	EB	Bank 0	UTC	UART Transmit Control
236	EC	Bank 0	URC	UART Receive Control
237	ED	Bank 0	UIE	UART Interrupt Enable
239	EF	Bank 0	UIO	UART Data
240	F0	Bank 0	POM	Port 0 Mode
		Bank 1	DCH	DMA Count, bits 8-15
241	F1	Bank 0	PM	Port Mode Register
		Bank 1	DCL	DMA Count, bits 0-7
244	F4	Bank 0	HOC	Handshake Channel 0 Control
245	F5	Bank 0	H1C	Handshake Channel I Control
246	F6	Bank 0	P4D	Port 4 Direction
247	F7	Bank 0	P40D	Port 4 Open Drain
248	F8	Bank 0	P2AM	Port 2/3 A Mode
		Bank 1	UBGH	UART Baud Rate Generator, bits 8-15
249	F9	Bank 0	P2BM	Port 2/3 B Mode
		Bank 1	UBGL	UART Baud Rate Generator, bits 0-7
250	FA	Bank 0	P2CM	Port 2/3 C Mode
		Bank 1	UMA	UART Mode A
251	FB	Bank 0	P2DM	Port 2/3 D Mode
		Bank 1	UMB	UART Mode B
252	FC	Bank 0	P2AIP	Port 2/3 A Interrupt Pending
253	FD	Bank 0	P2BIP	Port 2/3 B Interrupt Pending
254	FE	Bank 0	EMT	External Memory Timing

Table 15. Super-8 Registers (Continued)

Address				
Decimal	Hexadecimal		Mnemonic	Function
		Bank 1	WUMCH	Wakeup Match Register
255	FF	Bank 0	IPR	Interrupt Priority Register
		Bank 1	WUMSK	Wakeup Match Register

## MODE AND CONTROL REGISTERS

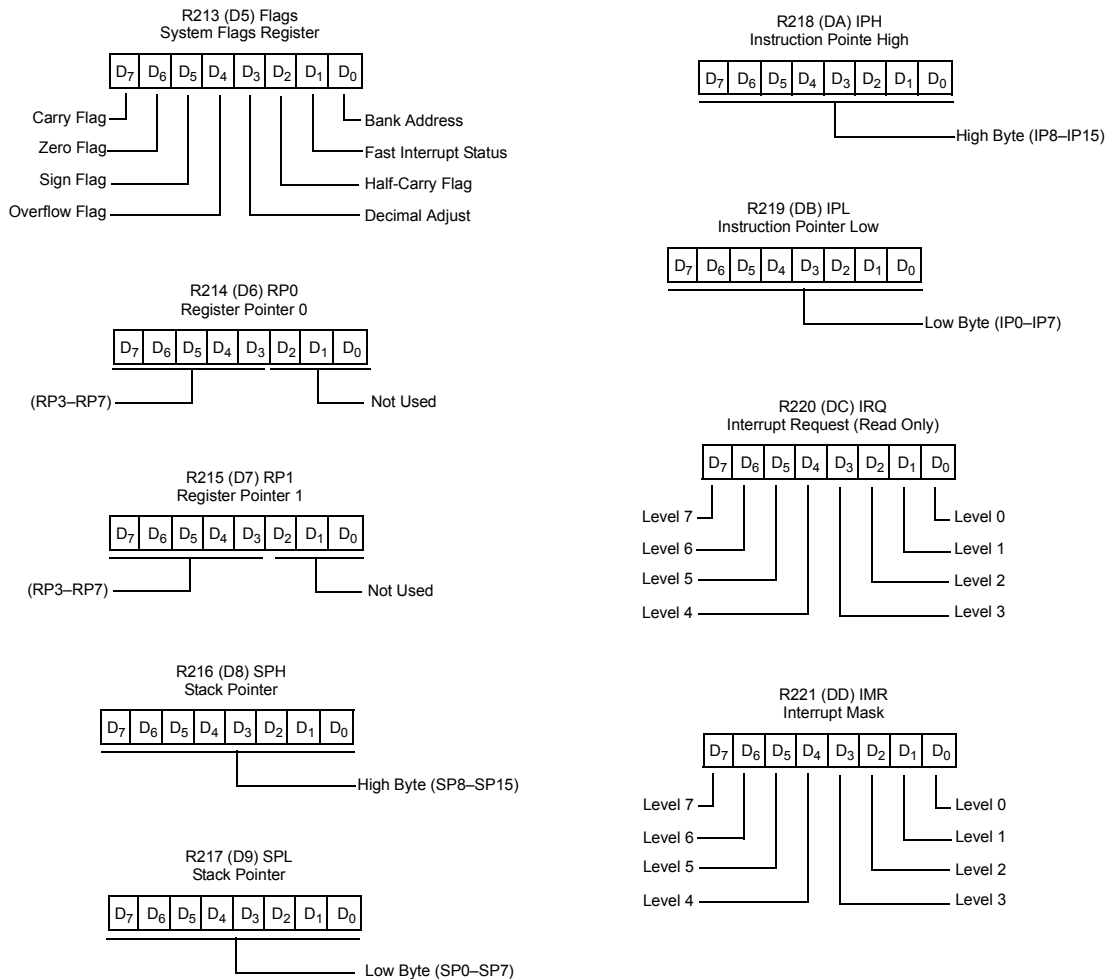


Figure 10. Mode and Control Registers

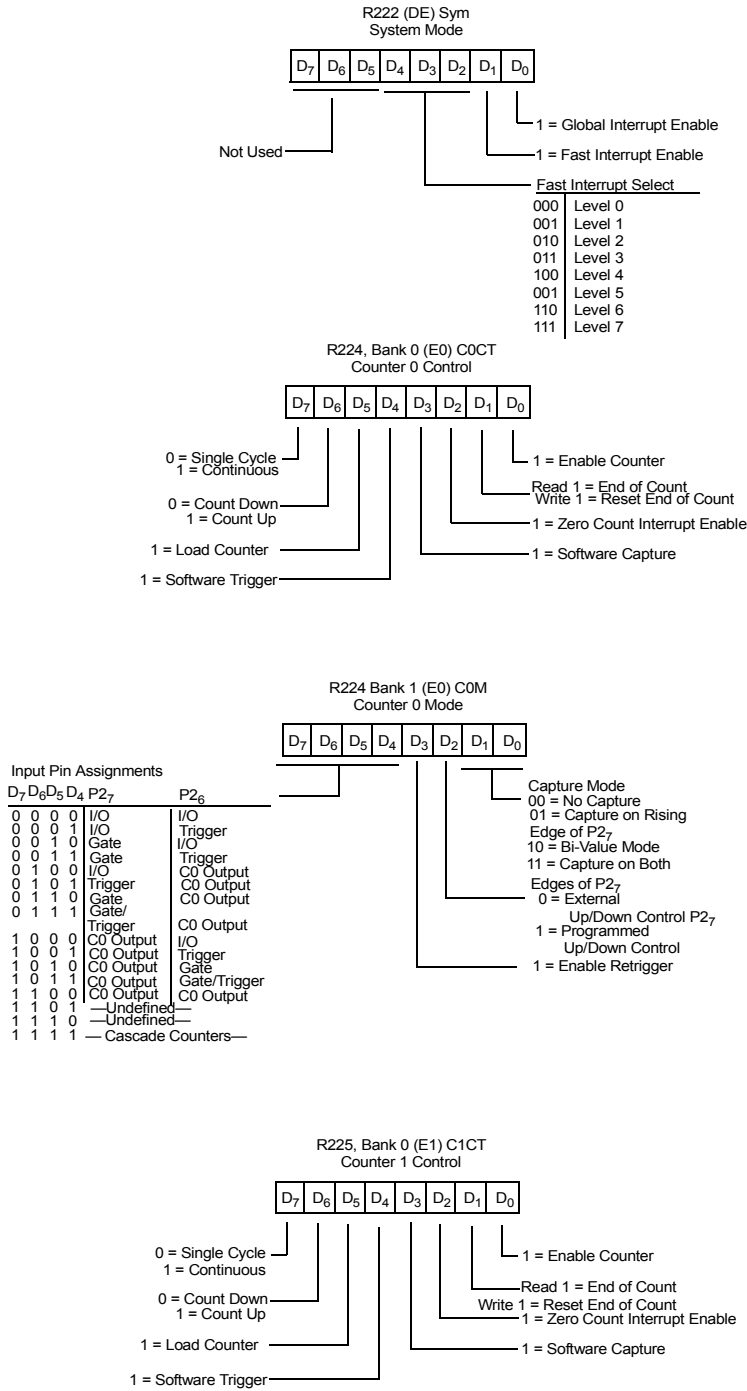


Figure 11.Mode and Control Registers (Continued)

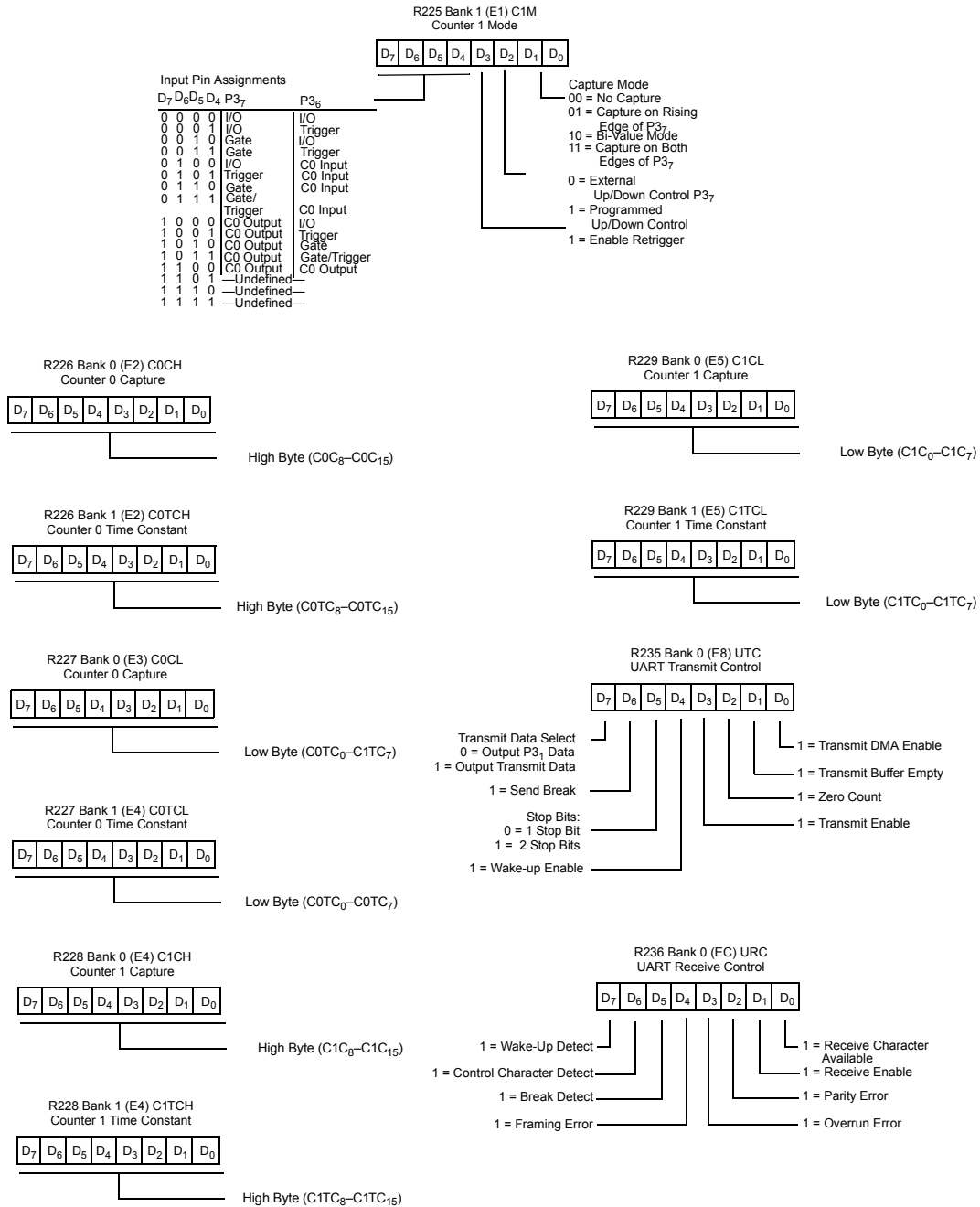


Figure 12.Mode and Control Registers (Continued)

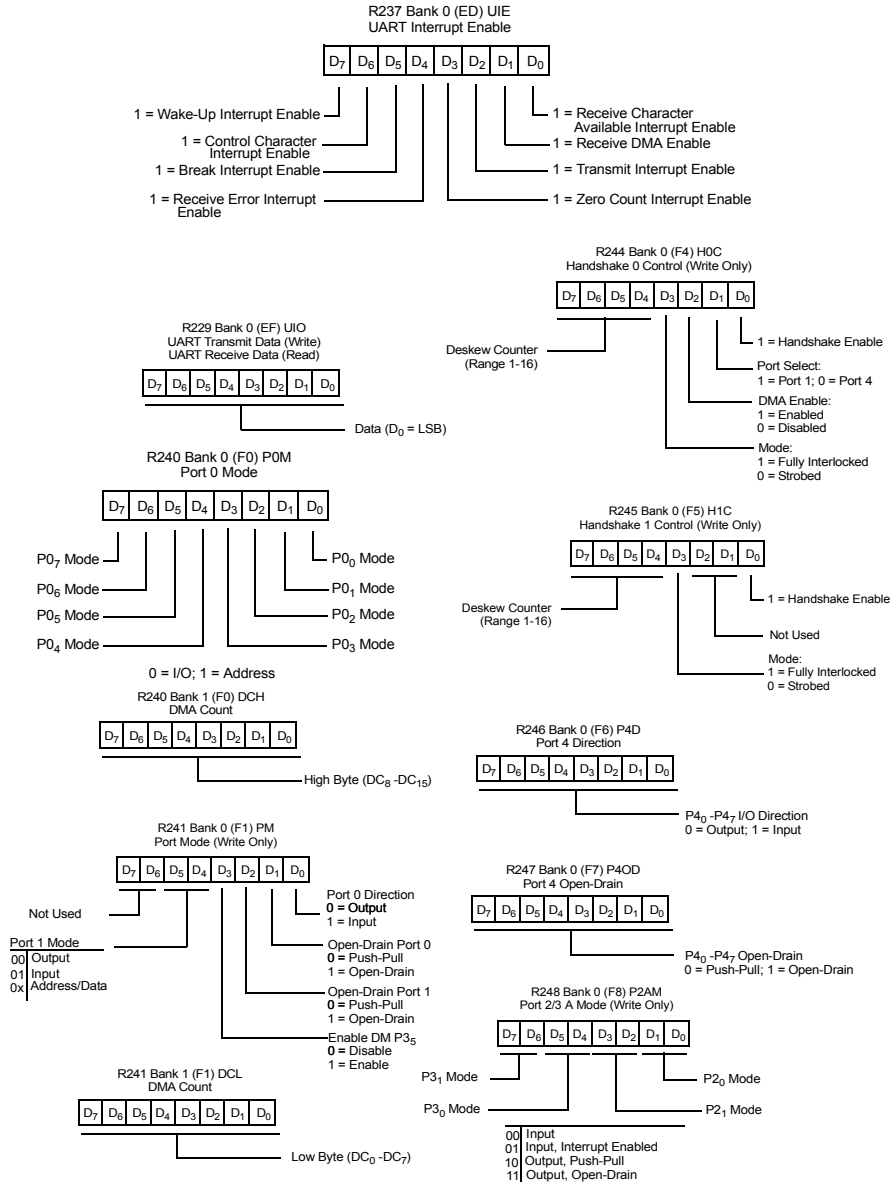


Figure 13. Mode and Control Registers (Continued)

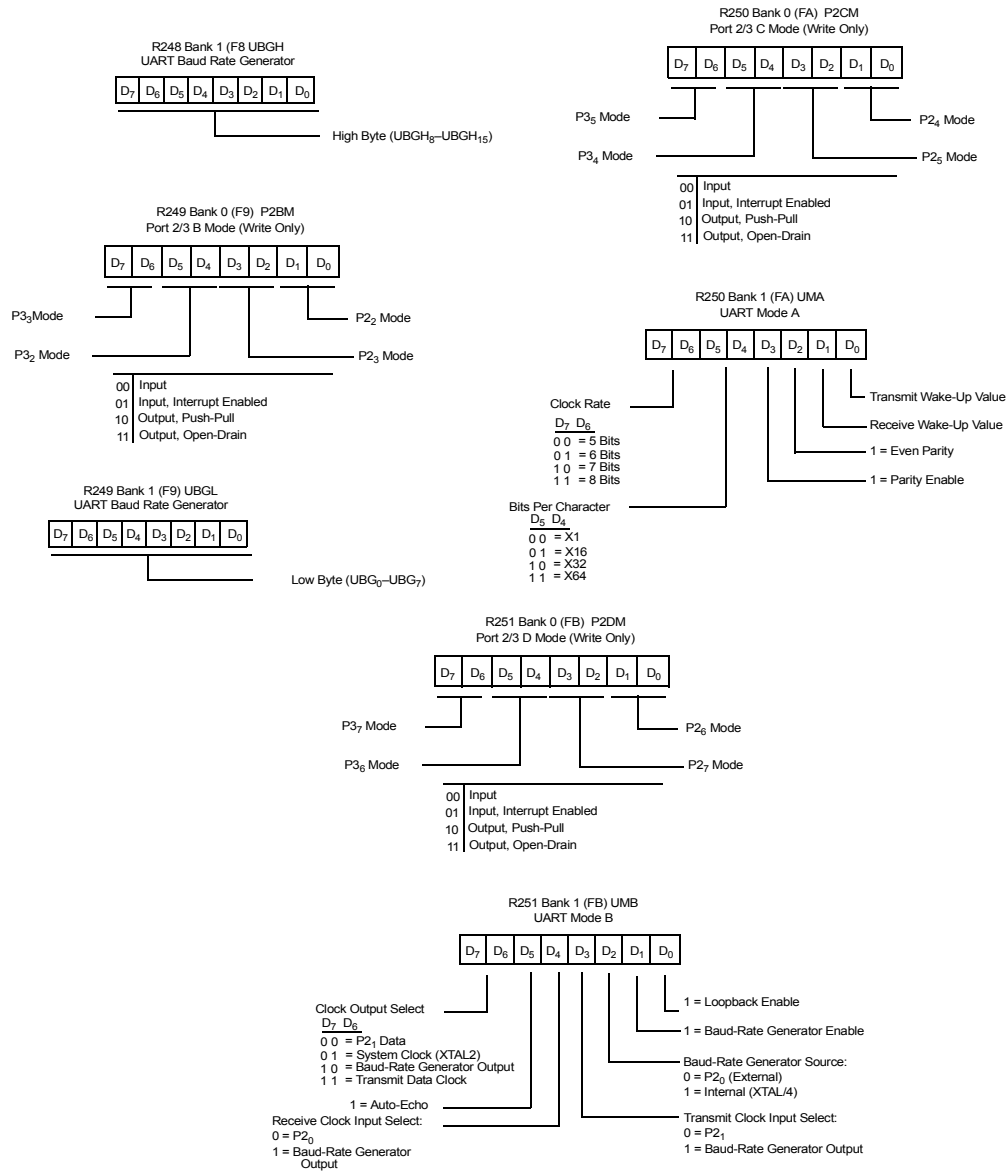


Figure 14. Mode and Control Registers (Continued)

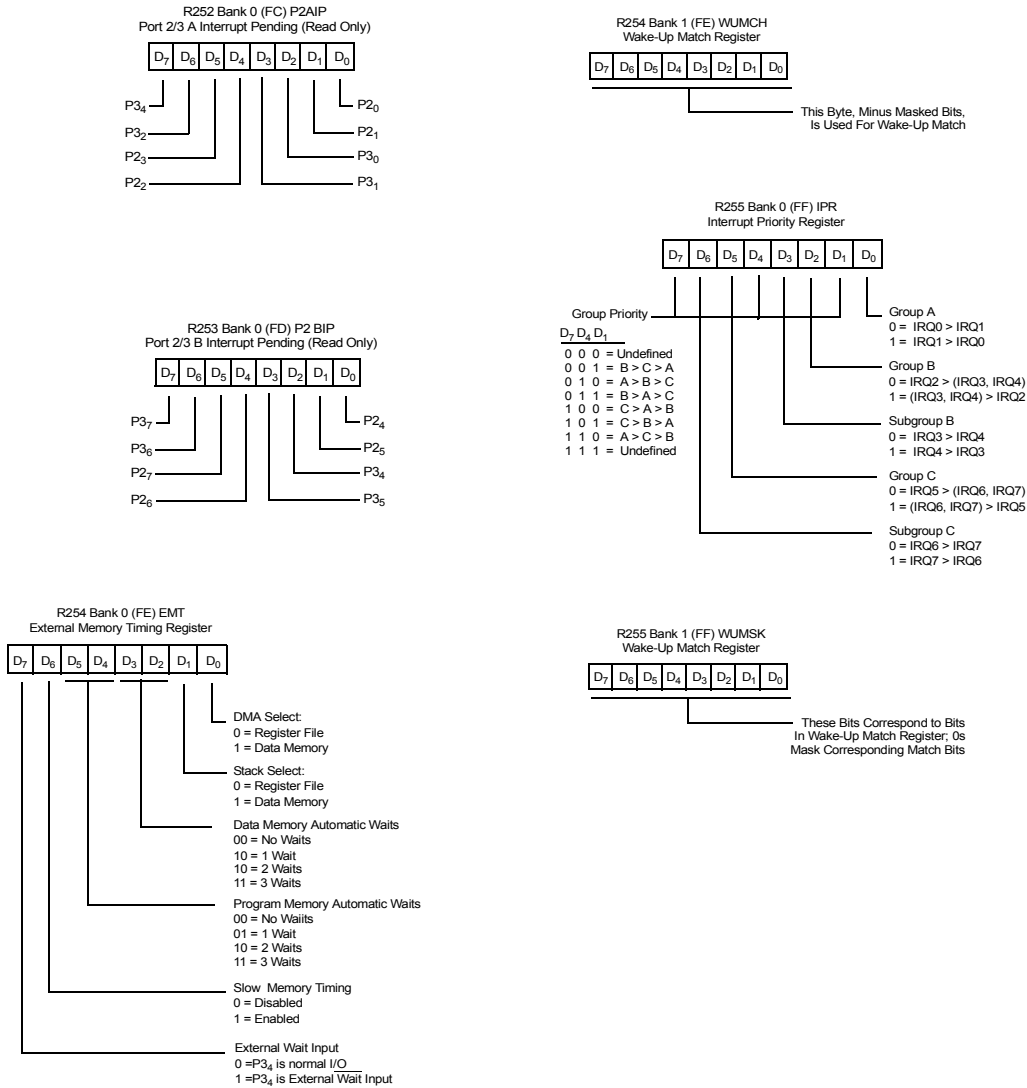


Figure 15. Mode and Control Registers (Continued)

## I/O PORTS

The Super8 has 40 I/O lines arranged into five 8-bit ports. These lines are all TTL-compatible, and can be configured as inputs or outputs. Some can also be configured as address/data lines.



Each port has an input register, an output register, and a register address. Data coming into the port is stored in the input register, and data to be written to a port is stored in the output register. Reading a port's register address returns the value in the input register; writing a port's register address loads the value in the output register. If the port is configured for an output, this value appears on the external pins.

When the CPU reads the bits configured as outputs, the data on the external pins is returned. Under normal output loading, this has the same effect as reading the output register, unless the bits are configured as open-drain outputs.

The ports can be configured as shown in Table 2, Port Configuration.

**Table 16. Port Configuration**

Port	Configuration Choices
0	Address outputs and/or general I/O
1	Multiplexed address/data (or I/O, only for ROM and Protopack)
2 and 3	Control I/O for UART, handshake channels, and counter/timers; also general I/O and external interrupts
4	General I/O

### Port 0

Port 0 can be configured as an I/O port or an output for addressing external memory, or it can be divided and used as both. The bits configured as I/O can be either all outputs or all inputs; they cannot be mixed. If configured for outputs, they can be push-pull or open-drain type.

Any bits configured for I/O can be accessed via R208. To write to the port, specify R208 as the destination (dst) of an instruction; to read the port, specify R208 as the source (src).

Port 0 bits configured as I/O can be placed under handshake control of handshake channel 1.

Port 0 bits configured as address outputs cannot be accessed via the register.

In ROMless devices, initially the four lower bits are configured as address eight through twelve.





### Port 1

In the ROMless device, Port 1 is configured as a byte-wide address/data port. It provides a byte-wide multiplexed address/data path. Additional address lines can be added by configuring Port 0.

The ROM and Protopack Port 1 can be configured as above or as an I/O port; it can be a byte-wide input, open-drain output, or push-pull output. It can be placed under handshake control or handshake channel 0.

### Ports 2 and 3

Ports 2 and 3 provide external control inputs and outputs for the UART, handshake channels, and counter/timers. The pin assignments appear in Table 3.

Bits not used for control I/O can be configured as general-purpose I/O lines and/or external interrupt inputs.

Those bits configured for general I/O can be configured individually for input or output. Those configured for output can be individually configured for open-drain or push-pull output.

All Port 2 and 3 input pins are Schmitt-triggered.

The port address for Port 2 is R210, and for Port 3 is R211.

**Table 17. Pin Assignments for Ports 2 and 3**

Port 2		Port 3	
Bit	Function	Bit	Function
0	UART receive clock	0	UART receive data
1	UART transmit clock	1	UART transmit data
2	Reserved	2	Reserved
3	Reserved	3	Reserved
4	Handshake 0 input	4	Handshake 1 input/ $\overline{\text{WAIT}}$
5	Handshake 0 output	5	Handshake 1 output/ $\overline{\text{DM}}$
6	Counter 0 input	6	Counter 1 input
7	Counter 0 I/O	7	Counter 1 I/O



### Port 4

Port 4 can be configured as I/O only. Each bit can be configured individually as input or output, with either push-pull or open-drain outputs. All Port 4 inputs are Schmitt-triggered.

Port 4 can be placed under handshake control of handshake channel 0. Its register address is R212.

### UART

The UART is a full-duplex asynchronous channel. It transmits and receives independently with 5 to 8 bits per character, has options for even or odd bit parity, and a wake-up feature.

Data can be read into or out of the UART via R239, Bank 0. This single address is able to serve a full-duplex channel because it contains two complete 8-bit registers—one for the transmitter and the other for the receiver.

### Pins

The UART uses the following Port 2 and 3 pins:

Port/Pin	UART Function
2/0	Receive Clock
3/0	Receive Data
2/1	Transmit Clock
3/1	Transmit Data

### Transmitter

When the UART's register address is specified as the destination (dst) of an operation, the data is output on the UART, which automatically adds the start bit, the programmed parity bit, and the programmed number of stop bits. It can also add a wake-up bit if that option is selected.

If the UART is programmed for a 5-, 6-, or 7-bit character, the extra bits in R239 are ignored.

Serial data is transmitted at a rate equal to 1, 1/16, 1/32 or 1/64 of the transmitter clock rate, depending on the programmed data rate. All data is sent out on the falling edge of the clock input.



When the UART has no data to send, it holds the output marking (High). It may be programmed with the Send Break command to hold the output Low (Spacing), which it continues until the command is cleared.

### Receiver

The UART begins receive operation when Receive Enable (URC, bit 0) is set High. After this, a Low on the receive input pin for longer than half a bit time is interpreted as a start bit. The UART samples the data on the input pin in the middle of each clock cycle until a complete byte is assembled. This is placed in the Receive Data register.

If the 1 X clock mode is selected, external bit synchronization must be provided, and the input data is sampled on the rising edge of the clock.

For character lengths of less than eight bits, the UART inserts ones into the unused bits, and, if parity is enabled, the parity bit is not stripped. The data bits, extra ones, and the parity bit are placed in the UART Data register (UIO).

While the UART is assembling a byte in its input shift register, the CPU has time to service an interrupt and manipulate the data character in UIO.

Once a complete character is assembled, the UART checks it and performs the following:

- If it is an-ASCII control character, the UART sets the Control Character status bit.
- It checks the wake-up settings and completes any indicated action.
- If parity is enabled, the UART checks to see if the calculated parity matches the programmed parity bit. If they do not match, it sets the Parity Error bit in URC (R236 Bank 0), which remains set until reset by software.
- It sets the Framing Error bit (URC, bit 4) if the character is assembled without any stop bits. This bit remains set until cleared by software.

Overrun errors occur when characters are received faster than they are read. That is, when the UART has assembled a complete character before the CPU has read the current character, the UART sets the Overrun Error bit (URC, bit 3), and the character currently in the receive buffer is lost.

The overrun bit remains set until cleared by software.

## ADDRESS SPACE

The Super8 can access 64K bytes of program memory and 64K bytes of data memory. These spaces can be either combined or separate. If separate, they are



controlled by the  $\overline{DM}$  line (Port P3<sub>5</sub>), which selects data memory when Low and program memory when High.

Figure 16 on page 23 shows the system memory space.

## CPU Program Memory

Program memory occupies addresses 0 to 64K. External program memory, if present, is accessed by configuring Ports 0 and 1 as a memory interface.

The address/data lines are controlled by  $\overline{AS}$ ,  $\overline{DS}$  and R/ $\overline{W}$ .

The first 32 program memory bytes are reserved for interrupt vectors; the lowest address available for user programs is 32 (decimal). This value is automatically loaded into the program counter after a hardware reset.

## ROMless

Port 0 can be configured to provide from 0 to 8 additional address lines. Port 1 is always used as an 8-bit multiplexed address/data port.

## ROM and Protopack

Port 1 is configured as multiplexed address/data or as I/O. When Port 1 is configured as address/data, Port 0 lines can be used as additional address lines, up to address 15. External program memory is mapped above internal program memory; that is, external program memory can occupy any space beginning at the top of the internal ROM space up to the 64K (16-bit address) limit.

## CPU Data Memory

The external CPU data memory space, if separated from program memory by the  $\overline{DM}$  optional output, can be mapped anywhere from 0 to 64K (full 16-bit address space). Data memory uses the same address/data bus (Port 1) and additional addresses (chosen from Port 0) as program memory. Data memory is distinguished from program memory by the DM pin (P3<sub>5</sub>), and by the fact that data memory can begin at address 0000H. This feature differs from the Z8.

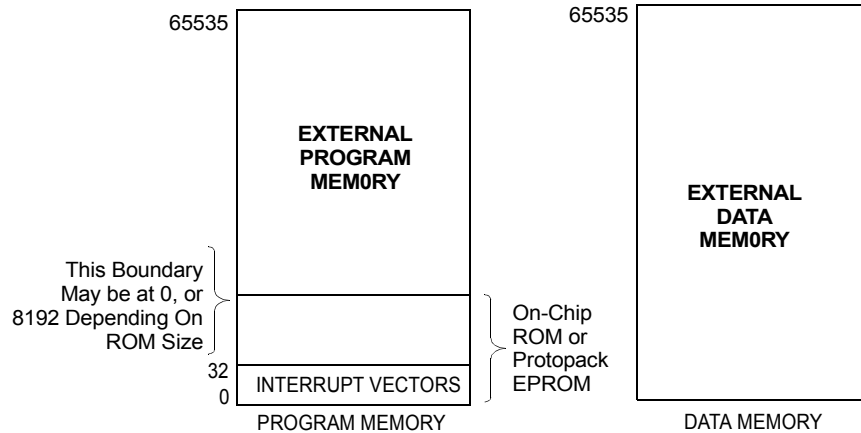


Figure 16. Program and Data Memory Address Spaces

## INSTRUCTION SET

The Super8 instruction set is designed to handle its large register set. The instruction set provides a full complement of 8-bit arithmetic and logical operations, including multiply and divide. It supports BCD operations using a decimal adjustment of binary values, and it supports incrementing and decrementing 16-bit quantities for addresses and counters.

It provides extensive bit manipulation, and rotate and shift operations, and it requires no special I/O instructions—the I/O ports are mapped into the register file.

### Instruction Pointer

A special register called the Instruction Pointer (IP) provides hardware support for threaded-code languages. It consists of register-pair R218 and R219, and it contains, memory addresses. The MSB is R218.

Threaded-code languages deal with an imaginary higher-level machine within the existing hardware machine. The IP acts like the PC for that machine. The command NEXT passes control to or from the hardware machine to the imaginary machine, and the commands ENTER and EXIT are imaginary machine equivalents of (real machine) CALLS and RETURNS.

If the commands NEXT, ENTER, and EXIT are not used, the IP can be used by the fast interrupt processing, as described in the Interrupts section.

## Flag Register

The Flag register (FLAGS) contains eight bits that describe the current status of the Super8. Four of these can be tested and used with conditional jump instructions; two others are used for BCD- arithmetic. FLAGS also contains the Bank Address bit and the Fast Interrupt Status bit.

The flag bits can be set and reset by instructions.



**Caution:** Do not specify FLAGS as the destination of an instruction that normally affects the flag bits or the result is unspecified.

The following paragraphs describe each flag bit:

**Bank Address.** This bit is used to select one of the register banks (0 or 1) between (decimal) addresses 224 and 255. It is cleared by the SBO instruction and set by the SB1 instruction.

**Fast Interrupt Status.** This bit is set during a fast interrupt cycle and reset during the IRET following interrupt servicing. When set, this bit inhibits all interrupts and causes the fast interrupt return to be executed when the IRET instruction is fetched.

**Half-Carry.** This bit is set to 1 whenever an addition generates a carry out of bit 3, or when a subtraction borrows out of bit 4. This bit is used by the Decimal Adjust (DA) instruction to convert the binary result of a previous addition or subtraction into the correct decimal (BCD) result. This flag, and the Decimal Adjust flag, are not usually accessed by users.

**Decimal Adjust.** This bit is used to specify what type of instruction was executed last during BCD operations, so a subsequent Decimal Adjust operation can function correctly. This bit is not usually accessible to programmers, and cannot be used as a test condition.

**Overflow Flag.** This flag is set to 1 when the result of a twos-complement operation was greater than 127 or less than -128. It is also cleared to 0 during logical operations.

**Sign Flag.** Following arithmetic, logical, rotate, or shift operations, this bit identifies the state of the MSB of the result. A 0 indicates a positive number and a 1 indicates a negative number.

**Zero Flag.** For arithmetic and logical operations, this flag is set to 1 if the result of the operation is zero.

For operations that test bits in a register, the zero bit is set to 1 if the result is zero.

For rotate and, shift operations, this bit is set to 1 if the result is zero.



**Carry Flag.** This flag is set to 1 if the result from an arithmetic operation generates a carry out of, or a borrow into, bit 7.

After rotate and shift operations, it contains the last value shifted out of the specified register.

It can be set, cleared, or complemented by instructions.

## Condition Codes

The flags C, Z, S, and V are used to control the operation of conditional jump instructions.

The opcode of a conditional jump contains a 4-bit field called the condition code (cc). This specifies under which conditions it is to execute the jump. For example, a conditional jump with the condition code for "equal" after a compare operation only jumps if the two operands are equal.

The condition codes and their meanings are given in Condition Codes and Meanings.

## Addressing Modes

All operands except for immediate data and condition codes are expressed as register addresses, program memory addresses, or data memory addresses. The addressing modes and their designations are:

- Register (R)
- Indirect Register (IR)
- Indexed (X)
- Direct (DA)
- Relative (RA)
- Immediate (IM)
- Indirect (IA)

**Table 18. Condition Codes and Meanings**

Binary	Mnemonic	Flags	Meaning
0000	F	-	Always false
1000	-	-	Always true
0111 <sup>1</sup>	C	C = 1	Carry
1111 <sup>1</sup>	NC	C = 0	No carry



**Table 18. Condition Codes and Meanings**

Binary	Mnemonic	Flags	Meaning
0110 <sup>1</sup>	Z	Z = 1	Zero
1110 <sup>1</sup>	NZ	Z = 0	Not zero
1101	PL	S = 0	Plus
0101	MI	S = 1	Minus
0100	OV	V = 1	Overflow
1100	NOV	V = 0	No overflow
0110 <sup>1</sup>	EQ	Z = 1	Equal
1110 <sup>1</sup>	NE	Z = 0	Not equal
1001	GE	(S XOR V)= 0	Greater than or equal
0001	LT	(S XOR V)= 1	Less than
1010	GT	(Z OR (S XOR V))= 0	Greater than
0010	LE	(Z OR (S XOR V))= 1	Less than or equal
1111 <sup>1</sup>	UGE	C=0	Unsigned greater than or equal
0111 <sup>1</sup>	ULT	C=1	Unsigned less than
1011	UGT	(C = 0 AND Z = 0)= 1	Unsigned greater than
0011	ULE	(C OR Z)= 1	Unsigned less than or equal

1. Has condition codes that relate to two different mnemonics but test the same flags. For example, Z and EQ are both True if the Zero flag is set, but after an ADD instruction, Z would probably be used, while after a CP instruction, EQ would probably be used.

Registers can be addressed by an 8-bit address in the range of 0 to 255. Working registers can also be addressed using 4-bit addresses, where five bits contained in a register pointer (R218 or R219) are concatenated with three bits from the 4-bit address to form an 8-bit address.

Registers can be used in pairs to generate 16-bit program or data memory addresses.

### Notation and Encoding

The instruction set notations are described in Table 5.





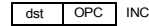
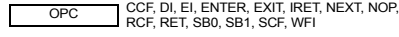
## Functional Summary of Commands

Figure 17 shows the formats followed by a quick reference guide to the commands.

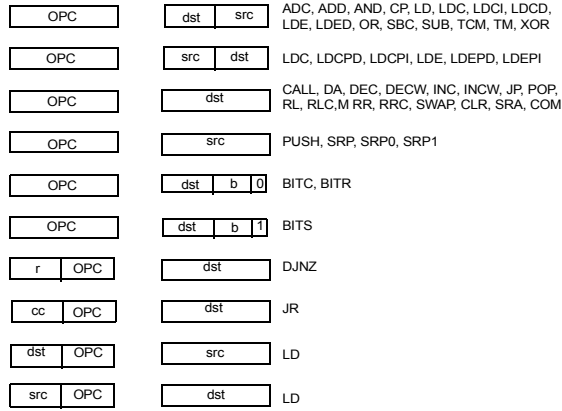
**Table 19. Instruction Set Notations**

Notation	Meaning	Notation	Meaning
cc	Condition code (see Table 4)	DA	Direct address (between 0 and 65535)
r	Working register (between 0 and 15)	RA	Relative address
rb	Bit of working register	IM	Immediate
r0	Bit 0 of working register	IML	Immediate long
R	Register or working register	dst	Destination operand
RR	Register pair or working register pair (Register always start on an even-number boundary)	src	Source operand
		@	Indirect
IA	Indirect address	SP	Stack
Ir	Indirect working register	PC	Program
IR	Indirect register or indirect working register	IP	
Irr	Indirect working register pair	FLAGS	Flags
IRR	Indirect register pair or indirect working register	pair	RP
X	Indexed	#	Immediate
XS	Indexed, short offset	%	Hexadecimal
XL	Indexed, long offset	OPC	Opcode

**One-Byte Instructions**

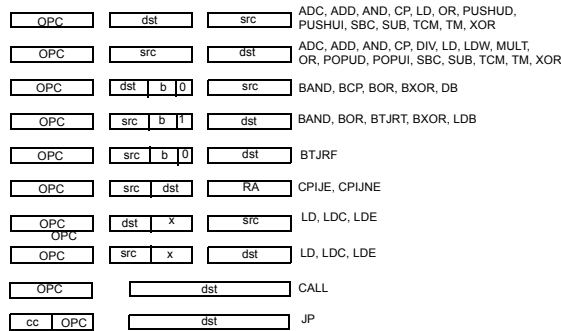


**Two-Byte Instructions**

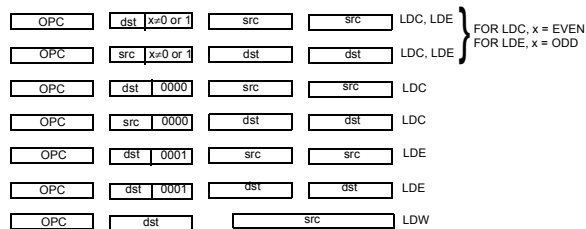


**Figure 17. Instruction Formats**

**Three-Byte Instructions**



**Four-Byte Instructions**



**Figure 18. Instruction Formats (Continued)**

## INSTRUCTION SUMMARY

Table 20. Instruction Summary

Instruction and Operation	Address Mode		Opcode Byte (Hex)	Flags Affected					
	dst	src		C	Z	S	V	D	H
<b>ADC</b> dst, src dst←dst + src +C	Note <sup>1</sup>		1[]	*	*	*	-	0	*
<b>ADD</b> dst, src dst←dst + src	Note <sup>1</sup>		0[]	*	*	*	*	0	*
<b>AND</b> dst, src dst←dst AND src	Note <sup>1</sup>		5[]	-	*	*	0	-	-
<b>BAND</b> dst, src dst←dst AND src	r0	Rb	67	-	*	0	U	-	-
	Rb	r0	67						
<b>BCP</b> dst, src dst – src	r0	Rb	17	-	*	0	U	-	-
<b>BITC</b> dst dst←NOT dst	rb		57	-	*	0	U	-	-
<b>BITR</b> dst dst←0	rb		77	-	-	-	-	-	-
<b>BITS</b> dst dst←1	rb		77	-	-	-	-	-	-
<b>BOR</b> dst, src dst←dst OR src	r0	Rb	07	-	*	0	U	-	-
	Rb	r0							
<b>BTJRF</b> If src = 0, PC = PC + dst	RA	rB	37	-	-	-	-	-	-
<b>BTJRT</b> If src = '1, PC = PC + dst	RA	rB	37	-	-	-	-	-	-
<b>BXOR</b> dst, src dst←dst XOR src	r0	Rb	27	-	*	0	U	-	-
	Rb	r0	27						
<b>CALL</b> dst	DA		F6	-	-	-	-	-	-



Table 20. Instruction Summary (Continued)

Instruction and Operation	Address Mode		Opcode Byte (Hex)	Flags Affected					
	dst	src		C	Z	S	V	D	H
SP←SP-2	IRR		F4						
@SP←PC, PC←dst	IA		D4						
<b>CCF</b> C = NOT C			EF	*	-	-	-	-	-
<b>CLR</b> dst dst←0	R IR		B0 B1	-	-	-	-	-	-
<b>COM</b> dst dst←NOT dst	R IR		60 61	-	*	*	0	-	-
<b>CP</b> dst, src dst - src	Note <sup>1</sup>		A[ ]	*	*	*	*	-	-
<b>CPIJE</b> If dst – src = 0, then PC←PC + RA I <sub>r</sub> ←I <sub>r</sub> + 1	r	I <sub>r</sub>	C2	-	-	-	-	-	-
<b>CPIJNE</b> If dst – src = 0, then PC←PC + RA I <sub>r</sub> ←I <sub>r</sub> + 1	r	I <sub>r</sub>	D2	-	-	-	-	-	-
<b>DA</b> dst dst←DA dst	R IR		40 41	*	*	*	U	-	-
<b>DEC</b> dst dst←dst -1	R IR		00 01	-	*	*	*	-	-
<b>DECW</b> dst dst←dst-1	RR IR		80 81	-	*	*	*	-	-
<b>DI</b>			8F	-	-	-	-	-	-



Table 20. Instruction Summary (Continued)

Instruction and Operation	Address Mode		Opcode Byte (Hex)	Flags Affected					
	dst	src		C	Z	S	V	D	H
SMR(0)←0									
<b>DIV</b> dst, src									
dst ÷ src	RR	R	94	*	*	*	*	-	-
dst (Upper)←Quotient	RR	IR	95						
dst (Lower)←Remainder	RR	IM	96						
<b>DJNZ</b> r, dst									
r←r - 1 if r = 0 PC←PC + dst	RA	r	rA	-	-	-	-	-	-
			(r = 0 to F)						
<b>EI</b>									
SMR(0)←1			9F	-	-	-	-	-	-
<b>ENTER</b>									
SP←SP - 2 @SP←IP IP←PC PC←@IP IP←IP + 2			1F	-	-	-	-	-	-
<b>EXIT</b>									
IP←@SP SP←SP + 2 PC←@IP IP←IP + 2			2F	-	-	-	-	-	-
<b>INC</b> dst									
dst←dst + 1	r		rE	-	*	*	*	-	-
			(r = 0 to F)						
	R		20						
	IR		21						



Table 20. Instruction Summary (Continued)

Instruction and Operation	Address Mode		Opcode Byte (Hex)	Flags Affected					
	dst	src		C	Z	S	V	D	H
<b>INCW</b> dst	RR		A0	-	*	*	*	-	-
dst ← 1 + dst	IR		A1						
<b>IRET</b> (Fast)			BF	Restored to before interrupt					
PC ↔ IP									
FLAG ← FLAG'									
FIS ← 0									
<b>IRET</b> (Normal)			BF	Restored to before interrupt					
FLAGS ← @SP; SP ← SP + 1									
PC ← @SP; SP ← SP + 2;									
SMR(0) ← 1									
<b>JP</b> cc, dst	DA		ccD	-	-	-	-	-	-
if cc is true,									
(cc = 0 to F)									
PC ← dst	IRR		30						
<b>JR</b> cc, dst	RA		ccB	-	-	-	-	-	-
if cc is true,									
PC ← PC + d									
(cc = 0 to F)									
<b>LD</b> dst, src	r	IM	rC	-	-	-	-	-	-
dst ← src	r	R	r8						
	R	r	r9						
(r = 0 to F)									
	r	IR	C7						
	IR	r	D7						
	R	R	E4						
	R	IR	E5						
	R	IM	E6						
	IR	IM	D6						
	IR	R	F5						
	r	x	87						
	x	r	97						



Table 20. Instruction Summary (Continued)

Instruction and Operation	Address Mode		Opcode Byte (Hex)	Flags Affected					
	dst	src		C	Z	S	V	D	H
<b>LDB</b> dst, src	r0	Rb	47	-	-	-	-	-	-
dst←src	Rb	R0	47						
<b>LDC/LDE</b>	r	lrr	C3	-	-	-	-	-	-
dst←src	lrr	r	D3						
	r	xs	E7						
	xs	r	F7						
	r	x1	A7						
	x1	r	B7						
	r	DA	A7						
	DA	r	B7						
<b>LDCD/LDED</b> dst, src	r	lrr	E2	-	-	-	-	-	-
dst←src									
rr←rr - 1									
<b>LDEI/LDCI</b> dst, src	r	lrr	E3	-	-	-	-	-	-
dst←src									
rr←rr + 1									
<b>LDCPD/LDEPD</b> dst, src									
rr←rr - 1	lrr	r	F2	-	-	-	-	-	-
dst←src									
<b>LDCPI/LDEPI</b> dst, src									
rr←rr + 1	lrr	r	F3	-	-	-	-	-	-
dst←src									
<b>LDW</b> dst, src	RR	R	C4	-	-	-	-	-	-
dst←src	RR	IR	C5						
	RR	IM	C6						
<b>MULT</b> dst, src	RR	R	84	-	-	-	-	-	-



Table 20. Instruction Summary (Continued)

Instruction and Operation	Address Mode		Opcode Byte (Hex)	Flags Affected					
	dst	src		C	Z	S	V	D	H
dst←src	RR	IR	85						
	RR	IM	86						
<b>NEXT</b>			0F	-	-	-	-	-	-
PC←@IP									
IP←IP + 2									
<b>NOP</b>			FF	-	-	-	-	-	-
<b>OR</b> dst, src	Note <sup>1</sup>		4[ ]	-	*	*	0	-	-
dst←dst OR src									
<b>POP</b> dst		R	50	-	-	-	-	-	-
dst←@SP;		IR	51						
SP←SP + 1									
<b>POPUD</b> dst, src	R	IR	92	-	-	-	-	-	-
dst←src									
IR←IR - 1									
<b>POPUI</b> dst, src	R	IR	93	-	-	-	-	-	-
dst←src									
IR←IR + 1									
<b>PUSH</b> src		R	70	-	-	-	-	-	-
SP←SP - 1; @SP←src		IR	71						
<b>PUSHUD</b> dst, src	IR	R	82	-	-	-	-	-	-
IR←IR - 1									
dst←src									
<b>PUSHUI</b> dst, src	IR	R	83	-	-	-	-	-	-
IR←IR + 1									
dst←src									
<b>RCF</b>			CF	0	-	-	-	-	-
C←0									
<b>RET</b>			AF	-	-	-	-	-	-





Table 20. Instruction Summary (Continued)

Instruction and Operation	Address Mode		Opcode Byte (Hex)	Flags Affected					
	dst	src		C	Z	S	V	D	H
PC←@SP; SP←SP + 2									
<b>RL</b> dst	R		90	*	*	*	*	-	-
C←dst(7)	IR		91						
dst(0)←dst(7)									
dst(N + 1)←dst(N)									
N = 0 to 6									
<b>RLC</b> dst	R		10	*	*	*	*	-	-
dst(0)←C	IR		11						
C←dst(7)									
dst(N + 1)←dst(N)									
N = 0 to 6									
<b>RR</b> dst	R		E0	*	*	*	*	-	-
C←dst(0)	IR		E1						
dst(7)←dst(0)									
dst(N)←dst(N + 1)									
N = 0 to 6									
<b>RRC</b> dst	R		C0	*	*	*	*	-	-
C←dst(0)	IR		C1						
dst(7)←C									
dst(N)←dst(N + 1)									
N = 0 to 6									
<b>SB0</b>			4F	-	-	-	-	-	-
BANK←0									
<b>SB1</b>			5F	-	-	-	-	-	-
BANK←1									
<b>SBC</b> dst, src	Note <sup>1</sup>		3[ ]	*	*	*	*	1	*
dst←dst – src – C									
<b>SCF</b>			DF	1	-	-	-	-	-



Table 20. Instruction Summary (Continued)

Instruction and Operation	Address Mode		Opcode Byte (Hex)	Flags Affected					
	dst	src		C	Z	S	V	D	H
<b>C←1</b>									
<b>SRA</b> dst	R		D0	*	*	*	0	-	-
dst(7)←dst(7)	IR		D1						
C←dst(0)									
dst(N)←dst(N + 1)									
N = 0 to 6									
<b>SRP</b> src		IM	31	-	-	-	-	-	-
RP0←IM									
RP0←IM + 8									
<b>SRP0</b>		IM	31	-	-	-	-	-	-
RP0←IM									
<b>SRP1</b>		IM	31	-	-	-	-	-	-
RP1←IM									
<b>SUB</b> dst, src	Note <sup>1</sup>		2[ ]	*	*	*	*	1	*
dst←dst – src									
<b>SWAP</b> dst	R		F0	-	*	*	U	-	-
dst(0-3)↔dst(4-7)	IR		F1						
<b>TCM</b> dst, src	Note <sup>1</sup>		6[ ]	-	*	*	0	-	-
(NOT dst) AND src									
<b>TM</b> dst, src	Note <sup>1</sup>		7[ ]	-	*	*	0	-	-
dst AND src									
<b>WFI</b>			3F	-	-	-	-	-	-
<b>XOR</b> dst, src	Note <sup>1</sup>		B[ ]	-	*	*	0	-	-
dst←dst XOR src									

1. These instructions have an identical set of addressing modes, which are encoded for brevity. The first opcode nibble identifies the command, and is found in the table above. The second nibble, represented by a [ ], defines the addressing mode as shown in Table 6.



**Table 21. Second Nibble**

Addr Mode		Lower Opcode Nibble <sup>1</sup>
dst	src	
r	r	[2]
r	lr	[3]
R	R	[4]
R	IR	[5]
R	IM	[6]

1. For example, to use an opcode represented as x[ ] with an "RR" addressing mode, use the opcode "x4."  
 0= Cleared to Zero  
 1= Set to One  
 -= Unaffected  
 \*= Set or reset, depending on result of operation.  
 U= Undefined



# SUPER-8 OPCODE MAP

		Lower Nibble (Hex)																
		0	1	2	3	4	5	6	7	8	9	A	B	C	D	E	F	
Upper Nibble (Hex)	0	6 DEC R <sub>1</sub>	6 DEC IR <sub>1</sub>	6 ADD r <sub>1</sub> ,f <sub>2</sub>	6 ADD r <sub>1</sub> ,f <sub>2</sub>	10 ADD R <sub>2</sub> ,R <sub>1</sub>	10 ADD IR <sub>2</sub> ,R <sub>1</sub>	10 ADD R <sub>1</sub> ,IM	10 BOR* r <sub>0</sub> ,R <sub>b</sub>	6 LD r <sub>1</sub> ,R <sub>2</sub>	6 LD r <sub>2</sub> ,R <sub>1</sub>	12/10 DJNZ r <sub>1</sub> ,RA	12/10 JR cc,RA	6 LD r <sub>1</sub> ,RM	12/10 JP cc,DA	6 INC r <sub>1</sub>	14 NEXT	
	1	6 RLC R <sub>1</sub>	6 RLC IR <sub>1</sub>	6 ADC r <sub>1</sub> ,f <sub>2</sub>	6 ADC r <sub>1</sub> ,f <sub>2</sub>	10 ADD R <sub>2</sub> ,R <sub>1</sub>	10 ADC IR <sub>2</sub> ,R <sub>1</sub>	10 ADC R <sub>1</sub> ,IM	10 ADC BCP r <sub>1</sub> ,b,R <sub>2</sub>								20 ENTER	
	2	6 INC R <sub>1</sub>	6 INC IR <sub>1</sub>	6 SUB r <sub>1</sub> ,f <sub>2</sub>	6 SUB r <sub>1</sub> ,f <sub>2</sub>	10 SUB R <sub>2</sub> ,R <sub>1</sub>	10 SUB IR <sub>2</sub> ,R <sub>1</sub>	10 SUB R <sub>1</sub> ,IM	10 SUB BXOR* r <sub>0</sub> ,R <sub>b</sub>								22 EXIT	
	3	10 JP IRR <sub>1</sub>	NOTE C	6 SBC r <sub>1</sub> ,f <sub>2</sub>	6 SBC r <sub>1</sub> ,f <sub>2</sub>	10 SBC R <sub>2</sub> ,R <sub>1</sub>	10 SBC IR <sub>2</sub> ,R <sub>1</sub>	10 SBC R <sub>1</sub> ,IM	NOTE A									6 WFI
	4	6 DA R <sub>1</sub>	6 DA IR <sub>1</sub>	6 OR r <sub>1</sub> ,f <sub>2</sub>	6 OR r <sub>1</sub> ,f <sub>2</sub>	10 OR R <sub>2</sub> ,R <sub>1</sub>	10 OR IR <sub>2</sub> ,R <sub>1</sub>	10 OR R <sub>1</sub> ,IM	10 LDB* r <sub>0</sub> ,R <sub>b</sub>									6 SBO
	5	10 POP R <sub>1</sub>	10 POP IR <sub>1</sub>	6 AND r <sub>1</sub> ,f <sub>2</sub>	6 AND r <sub>1</sub> ,f <sub>2</sub>	10 AND R <sub>2</sub> ,R <sub>1</sub>	10 AND IR <sub>2</sub> ,R <sub>1</sub>	10 AND R <sub>1</sub> ,IM	10 BITC r <sub>1</sub> ,b									6 SBI
	6	6 COM R <sub>1</sub>	6 COM IR <sub>1</sub>	6 TCM r <sub>1</sub> ,f <sub>2</sub>	6 TCM r <sub>1</sub> ,f <sub>2</sub>	10 TCM R <sub>2</sub> ,R <sub>1</sub>	10 TCM IR <sub>2</sub> ,R <sub>1</sub>	10 TCM R <sub>1</sub> ,IM	6 BAND* r <sub>0</sub> ,R <sub>b</sub>									
	7	10/12 PUSH R <sub>2</sub>	12/14 PUSH IR <sub>2</sub>	6 TM r <sub>1</sub> ,f <sub>2</sub>	6 TM r <sub>1</sub> ,f <sub>2</sub>	10 TM R <sub>2</sub> ,R <sub>1</sub>	10 TM IR <sub>2</sub> ,R <sub>1</sub>	10 TM R <sub>1</sub> ,IM	NOTE B									
	8	10 DECW IRR <sub>1</sub>	10 DECW IR <sub>1</sub>	10 PUSHD IR <sub>1</sub> ,R <sub>2</sub>	10 PUSHD IR <sub>2</sub> ,R <sub>2</sub>	24 MULT R <sub>2</sub> ,RR <sub>1</sub>	24 MULT IR <sub>2</sub> ,RR <sub>1</sub>	24 MULT IM,RR <sub>1</sub>	10 LD r <sub>1</sub> ,x,f <sub>2</sub>									6 DI
	9	6 RL R <sub>1</sub>	6 RL IR <sub>1</sub>	6 POPUD IR <sub>2</sub> ,R <sub>1</sub>	6 POPUI IR <sub>2</sub> ,R <sub>1</sub>	28/12 DIV R <sub>2</sub> ,RR <sub>1</sub>	28/12 DIV IR <sub>2</sub> ,RR <sub>1</sub>	28/12 DIV IM,RR <sub>1</sub>	10 LD f <sub>2</sub> ,x,f <sub>1</sub>									6 EI
	A	10 INCW RR <sub>1</sub>	10 INCW IR <sub>1</sub>	6 CP r <sub>1</sub> ,f <sub>2</sub>	6 CP r <sub>1</sub> ,f <sub>2</sub>	10 CP R <sub>2</sub> ,R <sub>1</sub>	10 CP IR <sub>2</sub> ,R <sub>1</sub>	10 CP R <sub>1</sub> ,IM	NOTE D									14 RET
	B	6 CLR R <sub>1</sub>	6 CLR IR <sub>1</sub>	6 XOR r <sub>1</sub> ,f <sub>2</sub>	6 XOR r <sub>1</sub> ,f <sub>2</sub>	10 XOR R <sub>2</sub> ,R <sub>1</sub>	10 XOR IR <sub>2</sub> ,R <sub>1</sub>	10 XOR R <sub>1</sub> ,IM	NOTE E									16/6 IRET
	C	6 RRC IRR <sub>1</sub>	6 RRC IR <sub>1</sub>	16/18 CPIJE r <sub>1</sub> ,f <sub>2</sub> ,RA	12 LDC* r <sub>1</sub> ,f <sub>2</sub>	10 LDW RR <sub>2</sub> ,RR <sub>1</sub>	10 LDW IR <sub>2</sub> ,RR <sub>1</sub>	12 LDW RR <sub>1</sub> ,IML	6 LD r <sub>1</sub> ,f <sub>2</sub>									6 RCF
	D	6 SRA R <sub>1</sub>	6 SRA IR <sub>1</sub>	16/18 CPUNE r <sub>1</sub> ,f <sub>2</sub> ,RA	12 LDC* f <sub>2</sub> ,f <sub>1</sub>	20 CALL IA <sub>1</sub>		10 LD IR <sub>1</sub> ,IM	6 LD lrr <sub>1</sub> ,f <sub>2</sub>									6 SCF
	E	6 RR R <sub>1</sub>	6 RR IR <sub>1</sub>	16 LDCD* r <sub>1</sub> ,f <sub>2</sub>	16 LDCI* r <sub>1</sub> ,f <sub>2</sub>	10 LD R <sub>2</sub> ,R <sub>1</sub>	10 LD IR <sub>2</sub> ,R <sub>1</sub>	10 LD R <sub>1</sub> ,IM	18 LDC* f <sub>1</sub> ,f <sub>2</sub> ,xs									6 CCF
	F	8 SWAP R <sub>1</sub>	8 SWAP IR <sub>1</sub>	16 LDCPD* f <sub>2</sub> ,f <sub>1</sub>	16 LDCPI* f <sub>2</sub> ,f <sub>1</sub>	18 CALL IRR <sub>1</sub>	18 CALL R <sub>2</sub> ,IR <sub>1</sub>	18 CALL DA <sub>1</sub>	18 LDC* f <sub>1</sub> ,f <sub>2</sub> ,xs									6 NOP

Note A

16/18 BTJRF r <sub>2</sub> ,b,RA	16/18 BTJRT r <sub>2</sub> ,b,RA
--	--

Note B

8 BITR r <sub>1</sub> ,b	8 BITS r <sub>1</sub> ,b
--------------------------------	--------------------------------

Note C

6 SRP IM	6 SRP0 IM	6 SRP1 IM
----------------	-----------------	-----------------

Legend:

r = 4-bit address  
R = 8-bit address  
b = bit number  
R<sub>1</sub> or r<sub>1</sub> = dsts address  
R<sub>2</sub> or f<sub>2</sub> = src address

\*Examples:

BORr<sub>0</sub>R<sub>2</sub>  
is BORr<sub>1</sub>,b,R<sub>2</sub>  
or BORr<sub>2</sub>,b,R<sub>1</sub>  
LDCr<sub>1</sub>,f<sub>2</sub>  
is LDCr<sub>1</sub>,f<sub>2</sub> = program  
or LDCr<sub>1</sub>,f<sub>2</sub> = data

Note D

20 LDC* r <sub>1</sub> ,f <sub>2</sub> ,xl	20 LDC* r <sub>1</sub> ,DA <sub>2</sub>
--	---

Note E

20 LDC* f <sub>2</sub> ,f <sub>2</sub> ,xl	20 LDC* f <sub>2</sub> ,DA <sub>1</sub>
--	---

Sequence:

Opcode, first, second, third operands

NOTE: The blank areas are not defined.

Figure 19.Opcode Map



# INSTRUCTIONS

Table 22. Super8 Instructions

Mnemonic	Operands	Instruction
<b>Load Instructions</b>		
CLR	dst	Clear
LD	dst, src	Load
LDB	dst, src	Load bit
LDC	dst, src	Load program memory
LDE	dst, src	Load data memory
LDCD	dst, src	Load program memory and decrement
LDED	dst, src	Load data memory and decrement
LDCI	dst, src	Load program memory and increment
LDEI	dst, src	Load data memory and increment
LDCPD	dst, src	Load program memory with pre-decrement
LDEPD	dst, src	Load data memory with pre-decrement
LDCPI	dst, src	Load program memory with pre-increment
LDEPI	dst, src	Load data memory with pre-increment
LDW	dst, src	Load word
POP	dst	Pop stack
POPUD	dst, src	Pop user stack (decrement)
POPUI	dst, src	Pop user stack (increment)
PUSH	src	Push stack
PUSHUD	dst, src	Push user stack (decrement)
PUSHUI	dst, src	Push user stack (increment)
<b>Arithmetic Instructions</b>		
ADC	dst, src	Add with carry
ADD	dst, src	Add
CP	dst, src	Compare
DA	dst	Decimal adjust
DEC	dst	Decrement



**Table 22. Super8 Instructions (Continued)**

<b>Mnemonic</b>	<b>Operands</b>	<b>Instruction</b>
DECW	dst	Decrement word
DIV	dst, src	Divide
INC	dst	Increment
INCW	dst	Increment word
MULT	dst, src	Multiply
SBC	dst, src	Subtract with carry
SUB	dst, src	Subtract
<b>Logical Instructions</b>		
AND	dst, src	Logical AND
COM	dst	Complement
OR	dst, src	Logical OR
XOR	dst, src	Logical exclusive
<b>Program Control Instructions</b>		
BTJRT	dst, src	Bit test jump relative on True
BTJRF	dst, src	Bit test jump relative on False
CALL	dst	Call procedure
CPIJE	dst, src	Compare, increment and jump on equal
CPIJNE	dst,src	Compare, increment and jump on non-equal
DJNZ	r, dst	Decrement and jump on non-zero
ENTER	Enter	
EXIT	Exit	
IRET		Return from interrupt
JP	cc, dst	Jump on condition code
JP	dst	Jump unconditional
JR	cc, dst	Jump relative on condition code
JR	dst	Jump relative unconditional
NEXT		Next
RET		Return
WFI		Wait for interrupt



Table 22.Super8 Instructions (Continued)

Mnemonic	Operands	Instruction
<b>Bit Manipulation Instructions</b>		
BAND	dst,src	Bit AND
BCP	dst, src	Bit compare
BITC	dst	Bit complement
BITR	dst	Bit reset
BITS	dst	Bit set
BOR	dst, src	Bit OR
BXOR	dst, src	Bit exclusive OR
TCM	dst, src	Test complement under mask
TM	dst, src	Test under mask
<b>Rotate and Shift Instructions</b>		
RL	dst	Rotate left
RLC	dst	Rotate left through carry
RR	dst	Rotate right
RRC	dst	Rotate right through carry
SRA	dst	Shift right arithmetic
SWAP	dst	Swap nibbles
<b>CPU Control Instructions</b>		
CCF		Complement carry flag
DI		Disable interrupts
EI		Enable interrupts
NOP		Do nothing
RCF		Reset carry flag
SB0		Set bank 0
SB1		Set bank 1
SCF		Set carry flag
SRP	src	Set register pointers
SRP0	src	Set register pointer zero



**Table 22. Super8 Instructions (Continued)**

<b>Mnemonic</b>	<b>Operands</b>	<b>Instruction</b>
SRP1	src	Set register pointer one

## INTERRUPTS

The Super8 interrupt structure contains 8 levels of interrupt, 16 vectors, and 27 sources.

Interrupt priority is assigned by level, controlled by the Interrupt Priority register (IPR). Each level is masked (or enabled) according to the bits in the Interrupt Mask register (IMR), and the entire interrupt structure can be disabled by clearing a bit in the System Mode register (R222).

The three major components of the interrupt structure are sources, vectors, and levels. These are shown in Figure 20 and discussed in the following paragraphs.

### Sources

A source is anything that generates an interrupt. This can be internal or external to the Super8 MCU. Internal sources are hardwired to a particular vector and level, while external sources can be assigned to various external events.

### Vectors

The 16 vectors are divided unequally among the eight levels. For example, vector 12 belongs to level 2, while level 3 contains vectors 0, 2, 4, and 6.

The vector number is used to generate the address of a particular interrupt servicing routine; therefore all interrupts using the same vector must use the same interrupt handling routine.

### Levels

Levels provide the top level of priority assignment. While the sources and vectors are hardwired within each level, the priorities of the levels can be changed by using the Interrupt Priority register (see Figure 15 for bit details).

If more than one interrupt source is active, the source from the highest priority level is serviced first. If both sources are from the same level, the source with the lowest vector has priority. For example, if the UART Receive Data bit and UART Parity Error bit are both active, the UART Parity Error bit is serviced first because it is vector 16, and UART receive data is vector 20.



The levels are shown in Figure 20.

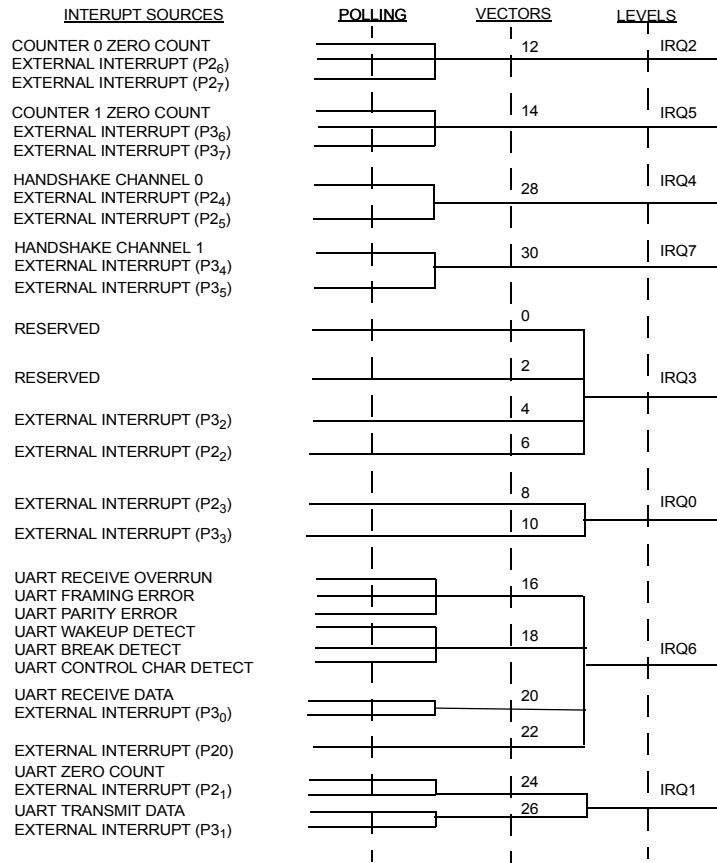


Figure 20. Interrupt Levels and Vectors

## Enables

- Interrupts can be enabled or disabled as follows:
- Interrupt enable/disable. The entire interrupt structure can be enabled or disabled by setting bit 0 in the System Mode register (R222).
- Level enable. Each level can be enabled or disabled by setting the appropriate bit in the Interrupt Mask register (R221).
- Level priority. The priority of each level can be controlled by the values in the Interrupt Priority register (R255, Bank 0).
- Source enable/disable. Each interrupt source can be enabled or disabled in the sources' Mode and Control register.



## Service Routines

Before an interrupt request can be granted, a) interrupts must be enabled, b) the level must be enabled, c) it must be the highest priority interrupting level, d) it must be enabled at the interrupting source, and e) it must have the highest priority within the level.

If all this occurs, an interrupt request is granted.

The Super8 then enters an interrupt machine cycle that completes the following sequence:

- It resets the Interrupt Enable bit to disable all subsequent interrupts.
- It saves the Program Counter and status flags on the stack.
- It branches to the address contained within the vector location for the interrupt.
- It passes control to the interrupt servicing routine.

When the interrupt servicing routine has serviced the interrupt, it should issue an interrupt return (IRET) instruction. This restores the Program Counter and status flags and sets the Interrupt Enable bit in the System Mode register.

## Fast Interrupt Processing

The Super8 provides a feature called fast interrupt processing, which completes the interrupt servicing in 6 clock periods instead of the usual 22.

Two hardware registers support fast interrupts. The Instruction Pointer (IP) holds the starting address of the service routine, and saves the PC value when a fast interrupt occurs. A dedicated register, FLAG', saves the contents of the FLAGS register when a fast interrupt occurs.

To use this feature, load the address of the service routine in the Instruction Pointer, load the level number into the Fast Interrupt Select field, and turn on the Fast Interrupt Enable bit in the System Mode register.

When an interrupt occurs in the level selected for fast interrupt processing, the following occurs:

- The contents of the Instruction Pointer and Program Counter are swapped.
- The contents of the Flag register are copied into FLAG'.
- The Fast Interrupt Status Bit in FLAGS is set.
- The interrupt is serviced.
- When IRET is issued after the interrupt service outline is completed, the Instruction Pointer and Program Counter are swapped again.



- The contents of FLAG' are copied back into the Flag register
- The Fast Interrupt Status bit in FLAGS is cleared.

The interrupt servicing routine selected for fast processing should be written so that the location after the IRET instruction is the entry point the next time the (same) routine is used.

### Level or Edge Triggered

Because internal interrupt requests are levels and interrupt requests from the outside are (usually) edges, the hardware for external interrupts uses edge-triggered flip-flops to convert the edges to levels.

The level-activated system requires that interrupt-serving software perform some action to remove the interrupting source. The action involved in serving the interrupt may remove the source, or the software may have to actually reset the flip-flops by writing to the corresponding Interrupt Pending register.

## STACK OPERATION

The Super8 architecture supports stack operations in the register file or in data memory. Bit 1 in the external Memory Timing register (R254 bank 0) selects between the two.

Register pair 216-217 forms the Stack Pointer used for all stack operations. R216 is the MSB and R217 is the LSB.

The Stack Pointer always points to data stored on the top of the stack. The address is decremented prior to a PUSH and incremented after a POP.

The stack is also used as a return stack for CALLs and interrupts. During a CALL, the contents of the PC are saved on the stack, to be restored later. Interrupts cause the contents of the PC and FLAGS to be saved on the stack, for recovery by IRET when the interrupt is finished.

When the Super8 is configured for an internal stack (using the register file), R217 contains the Stack Pointer. R216 may be used as a general-purpose register, but its contents are changed if an overflow or underflow, occurs as the result of incrementing or decrementing the stack address during normal stack operations.

### User-Defined Stacks

The Super8 provides for user-defined stacks in both the register file and program or data memory. These can be made to increment or decrement on a push by the choice of opcodes. For example, to implement a stack that grows from low



addresses to high addresses in the register file, use PUSHUI and POPUD. For a stack that grows from high addresses to low addresses in data memory, use LDEI for pop and LDEPD for push.

## COUNTER/TIMERS

The Super8 has two identical independently programmable 16-bit counter/timers that can be cascaded to produce a single 32-bit counter. They can be used to count external events, or they can obtain their input internally. The internal input is obtained by dividing the crystal frequency by four.

The counter/timers can be set to count up or down, by software or external events. They can be set for single or continuous cycle counting, and they can be set with a bi-value option, where two preset time constants alternate in loading the counter each time it reaches zero. This can be used to produce an output pulse train with a variable duty cycle.

The counter/timers can also be programmed to capture the count value at an external event or generate an interrupt whenever the count reaches zero. They can be turned on and off in response to external events by using a gate and/or a trigger option. The gate option enables counts only when the gate line is Low; the trigger option turns on the counter after a transient High. The gate and trigger options used together cause the counter/timer to work in gate mode after initially being triggered.

The control and status register bits for the counter/timers are shown in Figure 7.

## DMA

The Super8 features an on-chip Direct Memory Access (DMA) channel to provide high bandwidth data transmission capabilities. The DMA channel can be used by the UART receiver, UART transmitter, or handshake channel 0. Data can be transferred between the peripheral and contiguous locations in either the register file or external data memory. A 16-bit count register determines the number of transactions to be performed; an interrupt can be generated when the count is exhausted. DMA transfers to or from the register file require six CPU clock cycles; DMA transfers to or from external memory take ten CPU clock cycles, excluding wait states.

## ABSOLUTE MAXIMUM RATINGS

Voltage on all pins with respect to ground	-0.3 V to +7.0 V
Ambient Operating Temperature	See Ordering Information
Storage Temperature	-65 °C to + 150 °C

Stresses greater than these may cause permanent damage to the device. This is a stress rating only; operation of the device under conditions more severe than those listed for operating conditions may cause permanent damage to the device. Exposure to absolute maximum ratings for extended periods may also cause permanent damage.

## STANDARD TEST CONDITIONS

Figure 21 shows the setup for standard test conditions. All voltages are referenced to ground, and positive current flows into the reference pin.

Standard conditions are:

- $+ 4.75 \text{ V} \leq \text{VCC} \leq + 5.25 \text{ V}$
- $\text{GND} = 0 \text{ V}$
- $0^\circ\text{C} \leq \text{TA} \leq + 70^\circ\text{C}$

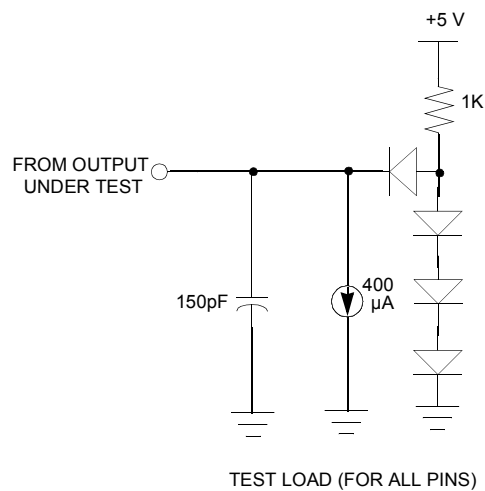


Figure 21. Standard Test Load

## DC CHARACTERISTICS

Table 23.DC Characteristics

Symbol	Parameter	Min	Max	Unit	Condition
$V_{CH}$	Clock Input High Voltage	3.8	$V_{CC}$	V	Driven by External Clock Generator
$V_{CL}$	Clock Input Low Voltage	-0.3	0.8	V	Driven by External Clock Generator
$V_{IH}$	Input High Voltage	2.2	$V_{CC}$	V	
$V_{IL}$	Input Low Voltage	-0.3	0.8	V	
$V_{RH}$	Reset Input High Voltage	3.8	$V_{CC}$	V	
$V_{RL}$	Reset Input Low Voltage	-0.3	0.8	V	
$V_{OH}$	Output High Voltage	2.4		V	$I_{OH} = -400 \mu A$
$V_{OL}$	Output Low Voltage		0.4	V	$I_{OL} = +4.0 \text{ mA}$
$I_{IL}$	Input Leakage	-10	10	$\mu A$	
$I_{OL}$	Output Leakage	-10	10	$\mu A$	
$I_{IR}$	Reset Input Current		-50	$\mu A$	
$I_{CC}$	VCC Supply Current		320	mA	

## INPUT HANDSHAKE TIMING

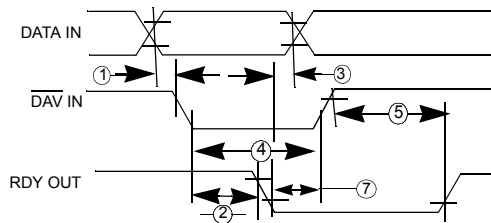


Figure 22.Fully Interlocked Mode

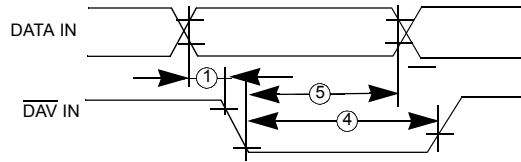


Figure 23. Strobed Mode

## AC CHARACTERISTICS (20 MHz)

### Input Handshake

Table 24. AC Characteristics (20 MHz) Input Handshake

Number	Symbol	Parameter	Min	Max	Notes <sup>1,2</sup>
1	TsDI(DAV)	Data In to Setup Time	0		
2	TdDAVlf(RDY)	$\overline{\text{DAV}} \downarrow$ Input to RDY $\downarrow$ Delay		200	Note <sup>3</sup>
3	ThDI(RDY)	Data In Hold Time from RDY $\downarrow$	0		
4	TwDAV	$\overline{\text{DAV}}$ In Width	45		
5	ThDI(DAV)	Data In Hold Time from $\overline{\text{DAV}} \downarrow$	130		
6	TdDAV(RDY)	$\overline{\text{DAV}} \uparrow$ Input to RDY $\uparrow$ Delay		100	Note <sup>4</sup>
7	TdRDYf(DAV)	RDY $\downarrow$ Output to $\overline{\text{DAV}} \uparrow$ Delay	0		

1. Times are preliminary and subject to change.

2. Times given are in ns.

3. Standard Test Load

4. This time assumes user program reads data before  $\overline{\text{DAV}}$  Input goes high. RDY does not go high before data is read.

## OUTPUT HANDSHAKE TIMING

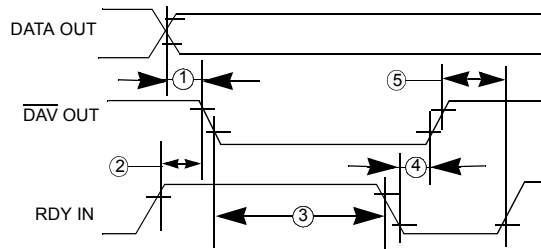


Figure 24. Fully Interlocked Mode

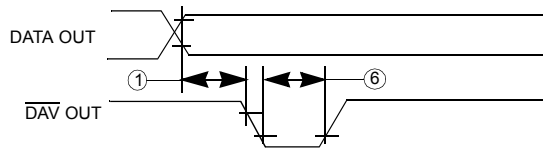


Figure 25. Strobed Mode

## AC CHARACTERISTICS (12 MHz, 20 MHz)

### Output Handshake

Table 25. AC Characteristics (12 MHz, 20 MHz) Output Handshake

Number	Symbol	Parameter	Min	Max	Notes <sup>1,2</sup>
1	TdDO(DAV)	Data Out to $\overline{\text{DAV}}$ $\downarrow$ Delay	90		Note <sup>3,4</sup>
2	TdRDYr(DAV)	RDY $\uparrow$ Input to $\overline{\text{DAV}}$ $\downarrow$ Delay	0	110	Note <sup>3</sup>
3	TdDAVO <sub>f</sub> (RDY)	$\overline{\text{DAV}}$ $\downarrow$ Output to RDY $\downarrow$ Delay	0		
4	TdRDY <sub>f</sub> (DAV)	RDY $\downarrow$ Input to $\overline{\text{DAV}}$ $\uparrow$ Delay	0	110	Note <sup>3</sup>
5	TdDAVO <sub>r</sub> (RDY)	$\overline{\text{DAV}}$ $\uparrow$ Output to RDY $\uparrow$ Delay	0		
6	TwDAVO	$\overline{\text{DAV}}$ Output Width	150		Note <sup>4</sup>

1. Times are preliminary and subject to change.

2. Times given are in ns.

3. Standard Test Load

4. Time given is for zero value in Deskew Counter. For nonzero value of n where n = 1, 2, . . . 15 add 2 x n x TpC to the given time.





## AC CHARACTERISTICS (12 MHz)

### Read /Write

Table 26.AC Characteristics (12 MHz) Read/Write

Number	Symbol	Parameter	Normal Timing		Extended Timing		Notes <sup>1,2</sup>
			Min	Max	Min	Max	
1	TdA(AS)	Address Valid to $\overline{AS}$ $\uparrow$ Delay	35		115		
2	TdAS(A)	$\overline{AS}$ $\uparrow$ to Address Float Delay	65		150		
3	TdAS(DR)	$\overline{AS}$ $\uparrow$ to Read Data Required Valid		270	600		Note <sup>3</sup>
4	TWAS	$\overline{AS}$ Low Width	65		150		
5	TdA(DS)	Address Float to $\overline{DS}$ $\downarrow$	20		20		
6a	TWDS(Read)	$\overline{DS}$ (Read) Low Width	225		470		Note <sup>3</sup>
6b	TwDS(Write)	$\overline{DS}$ (Write) Low Width	130		295	1	Note <sup>3</sup>
7	TdDS(DR)	$\overline{DS}$ $\downarrow$ to Read Data Required Valid		180	420		Note <sup>3</sup>
8	ThDS(DR)	Read Data to $\overline{DS}$ $\uparrow$ Hold Time	0		0		
9	TdDS(A)	$\overline{DS}$ $\uparrow$ to Address Active Delay	50		135		
10	TdDS(AS)	$\overline{DS}$ $\uparrow$ to $\overline{AS}$ $\downarrow$ Delay	60		145		
11	TdDO(DS)	Write Data Valid to $\overline{DS}$ (Write) $\downarrow$ Delay	35		115		
12	TdAS(W)	$\overline{AS}$ $\uparrow$ to Wait Delay		220	600		Note <sup>4</sup>
13	ThDS(W)	$\overline{DS}$ $\uparrow$ to Wait Hold Time	0		0		
14	TdRW(AS)	R/ $\overline{W}$ Valid to $\overline{AS}$ $\uparrow$ Delay	50		135		

1. All times are in ns and are for 12 MHz input frequency.
2. Timings are preliminary and subject to change
- 3.) Wait states add 167 ns to these times.
- 4.) Auto-wait states add 167 ns to this time..



## AC CHARACTERISTICS (20 MHz)

### Read /Write

Table 27.AC Characteristics (20 MHz) Read/Write

Number	Symbol	Parameter	Normal Timing		Extended Timing		Notes <sup>1,2</sup>
			Min	Max	Min	Max	
1	TdA(AS)	Address Valid to $\overline{AS}$ $\uparrow$ Delay	20		50		
2	TdAS(A)	$\overline{AS}$ $\uparrow$ to Address Float Delay	35		85		
3	TdAS(DR)	$\overline{AS}$ $\uparrow$ to Read Data Required Valid		150		335	Note <sup>3</sup>
4	TWAS	$\overline{AS}$ Low Width	35		85		
5	TdA(DS)	Address Float to $\overline{DS}$ $\downarrow$	0		0		
6a	TWDS(Read)	$\overline{DS}$ (Read) Low Width	125		275		Note <sup>3</sup>
6b	TWDS(Write)	$\overline{DS}$ (Write) Low Width	65		165		Note <sup>3</sup>
7	TdDS(DR)	$\overline{DS}$ $\downarrow$ to Read Data Required Valid		80		225	Note <sup>3</sup>
8	ThDS(DR)	Read Data to $\overline{DS}$ $\uparrow$ Hold Time	0		0		
9	TdDS(A)	$\overline{DS}$ $\uparrow$ to Address Active Delay	20		70		
10	TdDS(AS)	$\overline{DS}$ $\uparrow$ to $\overline{AS}$ 1 Delay	30		80		
11	TdDO(DS)	Write Data Valid to $\overline{DS}$ (Write) $\downarrow$ Delay	10		50		
12	TdAS(W)	$\overline{AS}$ $\uparrow$ to Wait Delay		90		335	Note <sup>4</sup>
13	ThDS(W)	$\overline{DS}$ $\uparrow$ to Wait Hold Time	0		0		
14	TdRW(AS)	R/ $\overline{W}$ Valid to $\overline{AS}$ $\uparrow$ Delay	20		70		

1. All times are in ns and are for 20 MHz input frequency.
2. Timings are preliminary and subject to change.
- 3.) Wait states add 100 ns to these times.
- 4.) Auto-wait states add 100 ns to this time

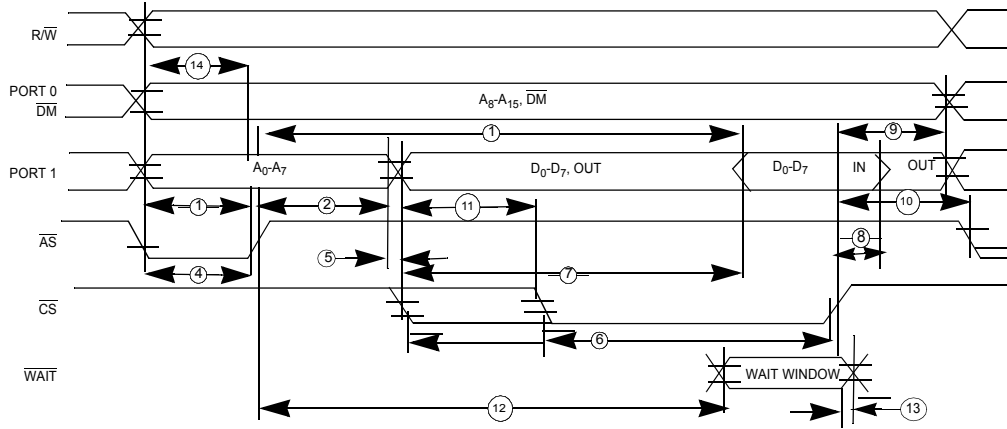


Figure 26. External Memory Read and Write Timing

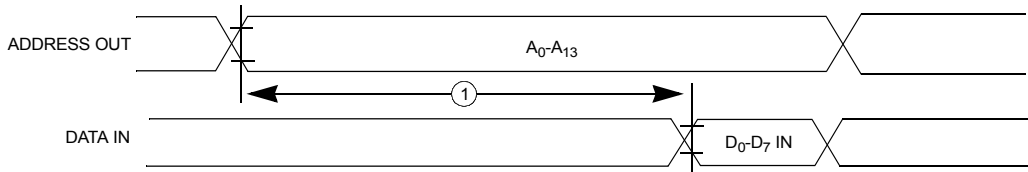


Figure 27. EPROM Read Timing

## AC CHARACTERISTICS (20 MHz)

### EPROM Read Cycle

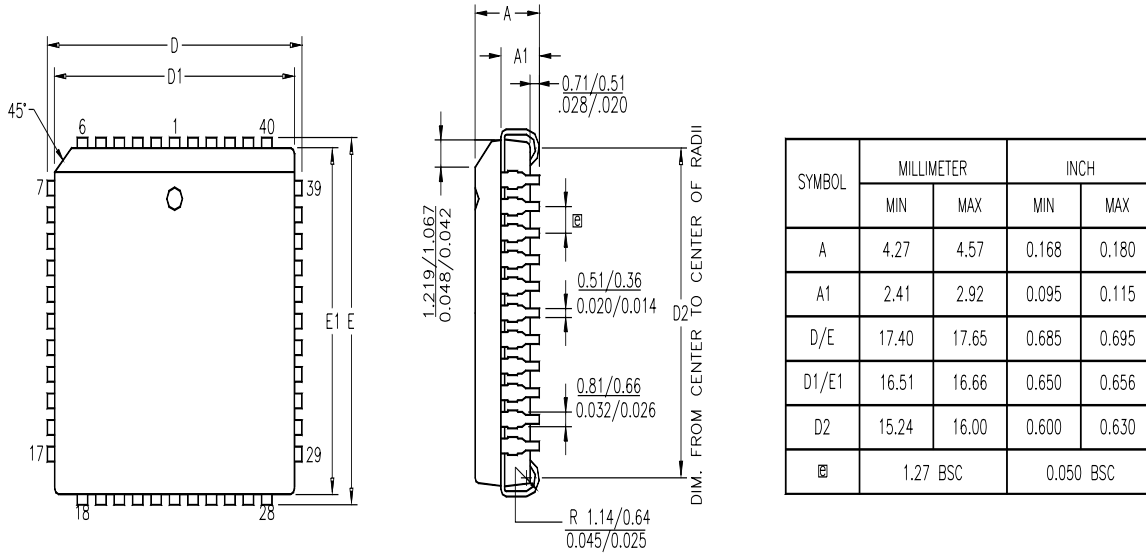
#### Example:

Table 28.AC Characteristics (20 MHz) EPROM Read Cycle

Number	Symbol	Parameter	Min	Max	Notes <sup>1,2</sup>
1	TdA(DR)	Address Valid to Read Data Required Valid	170		Note <sup>3</sup>

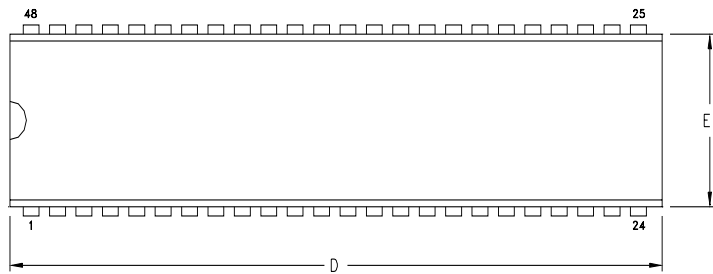
1. All times are in ns and are for 12 MHz input frequency.
2. Timings are preliminary and subject to change.
- 3.) Wait states add 167 ns to these times.

## Packaging Information



- NOTES:
1. CONTROLLING DIMENSION : INCH
  2. LEADS ARE COPLANAR WITHIN 0.004".
  3. DIMENSION :  $\frac{MM}{INCH}$

Figure 28.44-Pin PLCC



SYMBOL	MILLIMETER		INCH	
	MIN	MAX	MIN	MAX
A1	0.38	0.81	.015	.032
A2	3.68	4.19	.145	.165
B	0.38	0.53	.015	.021
B1	1.02	1.52	.040	.060
C	0.23	0.38	.009	.015
D	61.98	62.74	2.440	2.470
E	15.24	15.75	.600	.620
E1	13.72	14.22	.540	.560
Ⓢ	2.54 BSC		.100 BSC	
eA	15.49	16.76	.610	.660
L	3.18	3.81	.125	.150
Q1	1.52	1.91	.060	.075
S	1.52	2.29	.060	.090

CONTROLLING DIMENSIONS : INCH

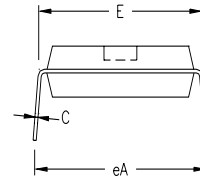
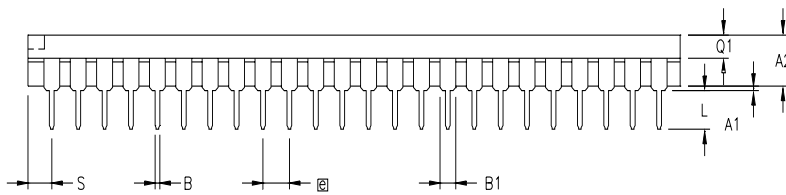


Figure 29.48-Pin DIP