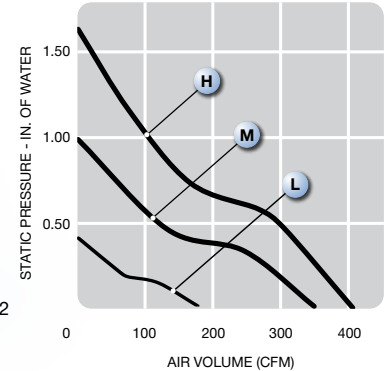
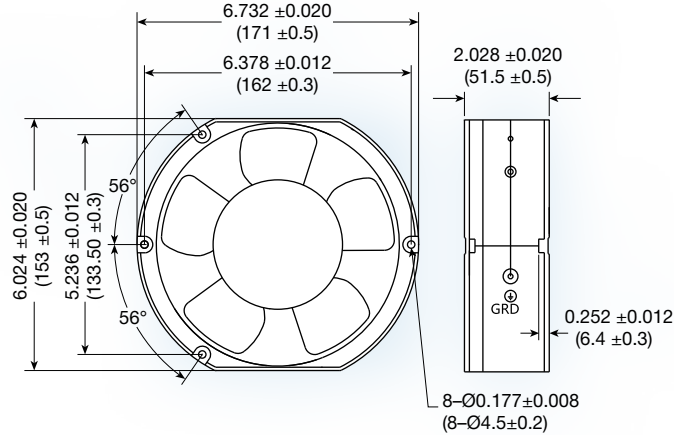


MS1751-H series



(171 x 153 x 51 mm)

6.73 x 6.02 x 2.00 inches

Features: soft start, polarity protection, auto-restart

Operating Voltage: 12, 24 and 48 VDC

Construction: UL94V-0 plastic impeller, aluminium frame

Bearing option: ball bearing

Air Flow: air exhaust over struts

Options:

- tachometer;
- locked rotor alarm signal;
- PWM speed control;
- conformal coating;
- encapsulated motor (IP68)



| Model No. | Rated Voltage VDC | Current A | | | Speed RPM | Air Volume | | Max. Static Pressure (H ₂ O) | | Sound Noise dbA | Weight g |
|------------------|-------------------|-----------|------|------|-----------|----------------------|-------|-----------------------------------------|------|-----------------|----------|
| | | 12 | 24 | 48 | | M ³ /Min. | CFM | MM | INCH | | |
| MS1751L-H | 12/24/48 | 1.22 | 0.52 | 0.28 | 3,000 | 5.23 | 184.7 | 10.69 | 0.42 | 56 | 655 |
| MS1751M-H | 12/24/48 | 3.75 | 1.85 | 0.95 | 4,500 | 9.96 | 352.1 | 25.52 | 1.00 | 66 | 655 |
| MS1751H-H | 12/24/48 | 6.50 | 3.10 | 1.47 | 5,500 | 11.84 | 418.2 | 42.75 | 1.64 | 72 | 655 |

*Additional performance levels available, contact Mechatronics for more options