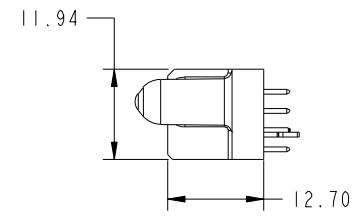
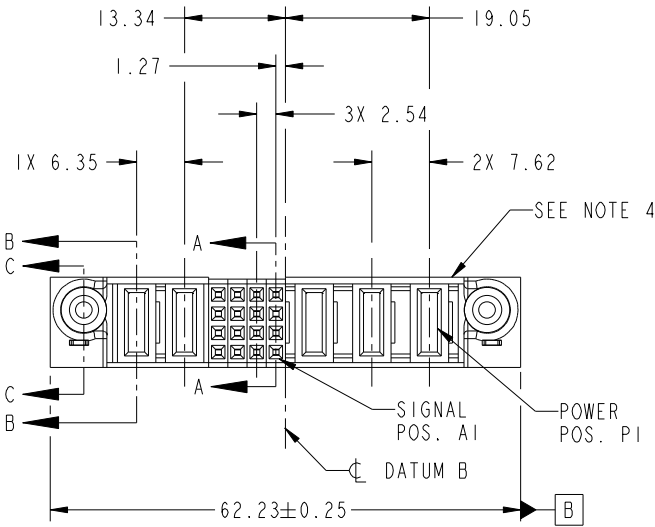


Tous droits strictement réservés. Reproduction ou communication a des tiers interdite sous quelque forme que ce soit sans autorisation écrite du propriétaire. Propriété de c.FCI. Droits de reproduction FCI.

All rights strictly reserved. Reproduction or issue to third parties in any form whatever is not permitted without written authority from the proprietor. Property of FCI. Copyright FCI.



PRODUCT NO.	ROWS	POWER		SIGNAL				POWER			E1	
		E2	P5	P4	4	3	2	1	P3	P2		P1
51940-259-- NOTE 3	D C B A											



CODE	DIM "M" MATING LENGTH	CONTACT TYPE
HA	N/A [N/A]	HOLD-DOWN
PD	0.092 [2.34]	POWER
PA	0.042 [1.07]	POWER
E	N/A [N/A]	SIGNAL

mat'l code				SEE NOTE 2	tolerances unless otherwise specified		CUSTOMER		www.fciconnect.com
lir	ecn no.	dr	date	linear	0.X ±0.5	COPY	projection		
A	DG08-0195	W D	07/29/08	angles	0.XX ±0.25			product family	code
					0.XXX ±0.10	MM	size		
				dr	0° ±2°	scale		dwg no	1 of 4
				enrg	Warren Du 07/18/08	1:1	A		
				chr	Jerome Chen 07/18/08				
				appd	Gary Hsieh 07/18/08				
					Joseph Hsia 07/18/08				
sheet index	revision sheet	A 1	A 2	A 3	A 4				

A

A

B

B

1 | 2

3 |

4

Pro/E

PDM: Rev: A

STAT: Released

Printed: Dec 20, 2010

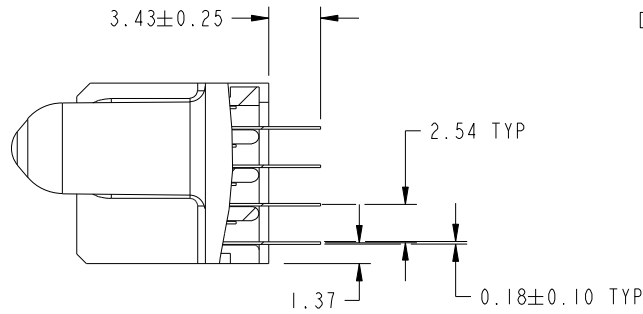
cage code 2856

Tous droits strictement reserves. Reproduction ou communication a des tiers interdite sous quelque forme que ce soit sans autorisation ecrite du proprietaire. Propriete de c FCI. Droits de reproduction FCI.

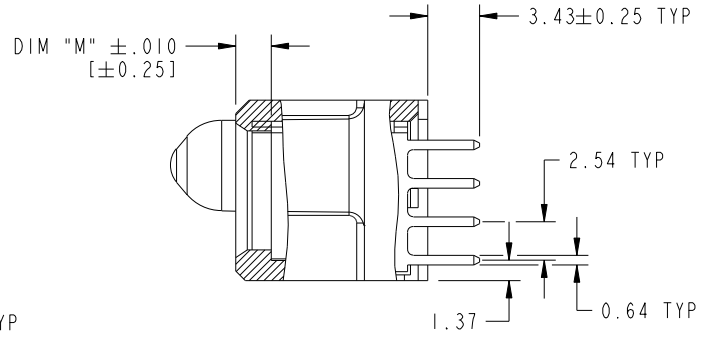
All rights strictly reserved. Reproduction or issue to third parties in any form whatever is not permitted without written authority from the proprietor. Property of FCI. Copyright FCI.



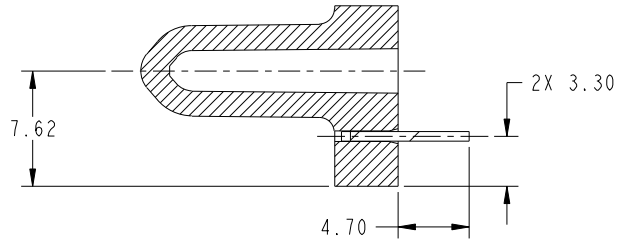
PRODUCT NUMBER  
51940-259\_



SECTION A-A  
SCALE 2:1



SECTION B-B  
SCALE 2:1



SECTION C-C  
SCALE 2:1

mat'l code		SEE NOTE 2		tolerances unless otherwise specified		CUSTOMER		 www.fciconnect.com	
lfr	ecn no.	dr	date	linear	0.X ±0.5	COPY		title	
A					0.XX ±0.25	projection		3ACP + 16S + 2P	
				angles	0.XXX ±0.10			VERTICAL SOLDER RECEPT	
					0° ±2°			product family	
				dr	Warren Du 07/18/08	MM		PwrBlade	
				enrg	Jerome Chen 07/18/08			code	
				chr	Gary Hsieh 07/18/08	scale		213	
				appd	Joseph Hsia 07/18/08	1:1		sheet	
sheet index		revision sheet				A		51940-259	
								2 of 4	

cage code 22556

Pro/E

PDM: Rev: A

STATUS: Released

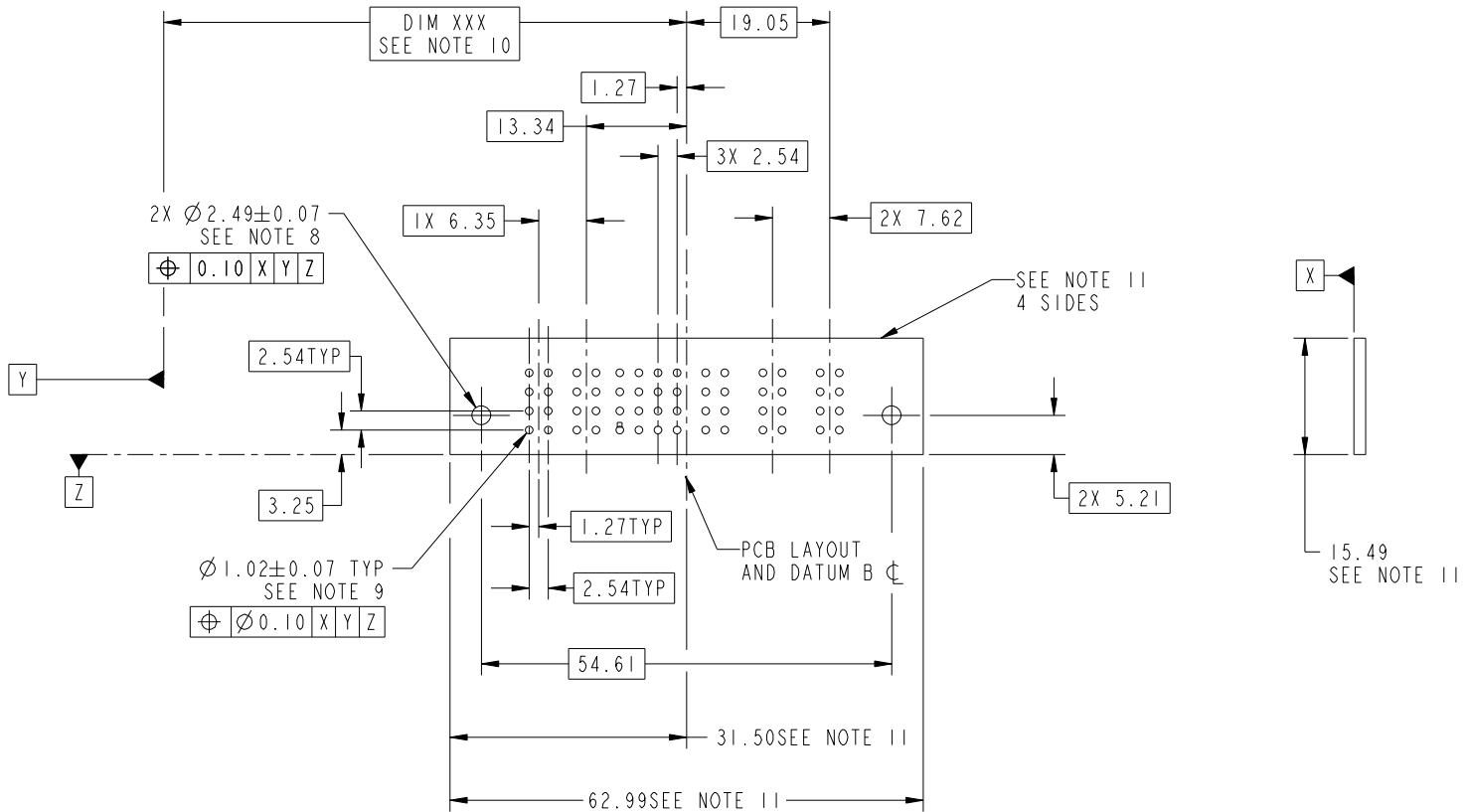
Printed: Dec 20, 2010

Tous droits strictement réservés. Reproduction ou communication a des tiers interdite sous quelque forme que ce soit sans autorisation écrite du propriétaire. Propriété de c.FCI. Droits de reproduction FCI.

All rights strictly reserved. Reproduction or issue to third parties in any form whatever is not permitted without written authority from the proprietor. Property of FCI. Copyright FCI.



PRODUCT NUMBER  
51940-259\_



mat'l code				SEE NOTE 2		tolerances unless otherwise specified		CUSTOMER		 www.fciconnect.com	
lir	ecn no.	dr	date	linear	0.X ±0.5		COPY		title 3ACP + 16S + 2P VERTICAL SOLDER RECEPT		
A					0.XX ±0.10		projection				
					0.XXX ±0.050						
				angles	0° ±2°		 MM		product family		code
				dr	Warren Du	07/18/08	scale		PwrBlade		213
				enr	Jerome Chen	07/18/08	1:1		size	dwg no	sheet
				chr	Gary Hsieh	07/18/08			A	51940-259	3 of 4
				appd	Joseph Hsia	07/18/08					
sheet index	revision sheet										

1 | 2

3 |

4

A

A

B

B

1 | 2

Pro/E

PDM: Rev: A

STATUS: Released

Printed: Dec 20, 2010

cage code 2856

4

Tous droits strictement réservés. Reproduction ou communication a des tiers interdite sous quelque forme que ce soit sans autorisation écrite du propriétaire. Propriété de c.FCI. Droits de reproduction FCI.

All rights strictly reserved. Reproduction or issue to third parties in any form whatever is not permitted without written authority from the proprietor. Property of FCI. Copyright FCI.



1 | 2

3

4

PRODUCT NUMBER  
51940-259\_

NOTES:

1. DIMENSIONS AND TOLERANCES ARE IN ACCORDANCE WITH ASME Y14.5M, 1994 UNLESS OTHERWISE SPECIFIED.

CONNECTOR NOTES:

② HOUSING MATERIAL: UL 94 V-0 GLASS FILLED HIGH-TEMP THERMOPLASTIC  
POWER CONTACT MATERIAL: COPPER ALLOY  
SIGNAL PIN MATERIAL: COPPER ALLOY

3. PLATING:  
SEE PRINT 10064183 FOR PLATING SPEC OF 51940-259; 51940-259LF

④ MANUFACTURER'S NAME, P/N, AND DATE CODE TO APPEAR ON THIS SURFACE.

5. PRODUCT SPECIFICATION GS-12-149.  
APPLICATION SPECIFICATION BUS-20-067.

6. PACKAGED IN TRAYS.

PCB NOTES:


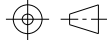

7. ALL HOLE DIAMETERS ARE FINISHED HOLE SIZE.

⑧ MOUNTING HOLES, WHERE APPLICABLE, ARE UNPLATED.

⑨  $\varnothing.0453 \pm .0010$  [ $1.151 \pm 0.025$ ] DRILLED HOLES PLATED WITH  
.0003 [0.008] MIN SnPb OVER .001 [0.03]  
TO .003 [0.08] Cu PLATING TO ACHIEVE  
 $\varnothing.040 \pm .003$  [ $1.02 \pm .07$ ] HOLE.

⑩ "DIM XXX" TO BE DETERMINED BY THE CUSTOMER.

⑪ CONNECTOR KEEP-OUT ZONE.

mat'l code		SEE NOTE 2		tolerances unless otherwise specified		CUSTOMER		 www.fciconnect.com		
ltr	ecn no.	dr	date	linear	0.X ±0.5		projection	COPY		
A					0.XX ±0.25				title	
					0.XXX ±0.10				3ACP + 16S + 2P VERTICAL SOLDER RECEPT	
				angles	0° ±2°		 MM scale 1:1	product family		
				dr	Warren Du	07/18/08		PwrBlade		
				enrg	Jerome Chen	07/18/08		code	213	
				chr	Gary Hsieh	07/18/08		size	A 51940-259	
				appd	Joseph Hsia	07/18/08		sheet	4 of 4	
sheet index	revision sheet									

1 | 2

Pro/E

PDM: Rev: A

STATUS: Released

Printed: Dec 20, 2010

A

A

B

B