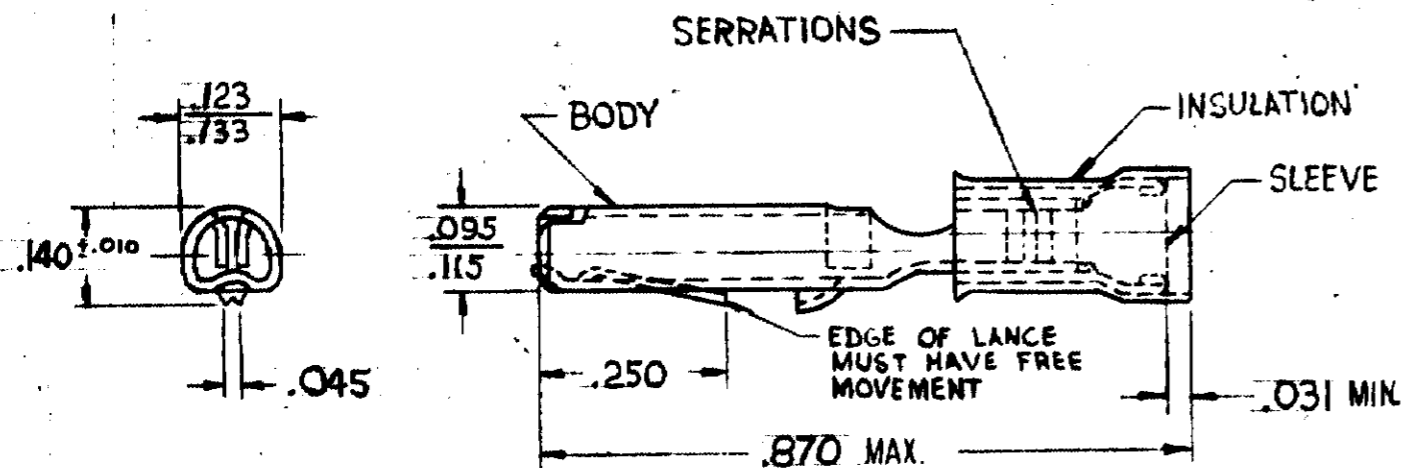


DRAWING MADE IN AMERICAN PROJECTION

© 1962 BY AMP INCORPORATED. ALL RIGHTS RESERVED. AMP PRODUCTS COVERED BY PATENTS AND/OR PATENTS PENDING.

REVISIONS				
ZONE	LTR	DESCRIPTION	DATE	APPROVED
	K	REDRAWN & ADDED TAPE NO'S P-7000 <sup>RE</sup>	3-1-73	<i>me</i>
	L	OBSOLETE 2--4 PER G-0510	9/24/87	<i>ES</i>
	M	OBSOLETE 2--1 PER G-2496	2/20/87	<i>PMF</i>



FOR .040 TO .060 WIRE INS. DIA.

TABLE I

SEE TABLE II	SEE TABLE II	SLEEVE: COPPER (QQ-C-576)
		INSULATION: NYLON (MIL-M-20693) TYPE I. COLOR: YELLOW
		BODY: BRASS (MIL-C-50) FINISH: SEE TABLE II
PART NO. ON TAPE	PART NO.	MATERIAL & FINISH

TABLE II

PART NO.	PART NO. ON TAPE	FINISH
329317	2-329317-3	GOLD PL. (MIL-G-45204B) .000020 MIN. EXT. THK. OVER NICKEL PL. (QQ-N-290) .000050 MIN. EXT. THK.
<del>2-329317-1</del>	<del>2-329317-4</del>	<del>TIN PL. (MIL-T-10727).00015. TO .0004 THK. OVER NICKEL PL. (QQ-N-290).000050 MIN. EXT. THK.</del>
<del>OBSOLETE</del>	<del>OBSOLETE</del>	

UNLESS OTHERWISE SPECIFIED DIMENSIONS ARE IN INCHES TOLERANCES ON: DECIMALS ± .008 ANGLES ± 5°	CONTRACT NO. <u>4</u>	<b>AMP</b> AMP INCORPORATED HARRISBURG, PENNSYLVANIA	
	DR. <i>Thomas Radoe</i> 2-29-73	NAME	
	CHK. <i>M. Ensminger</i> 3-1-73	WIRE TERMINAL PIDG LANCELOK WIRE SIZE: 24-22	
	APPD. <i>Abel</i> 3-1-73	REL. <i>Ralph</i> 3-1-73	SIZE
MATERIAL	SEE TABLE I	<b>B</b>	00779 329317
OTHER APPD.		SCALE	NTS SHEET 1 OF 1