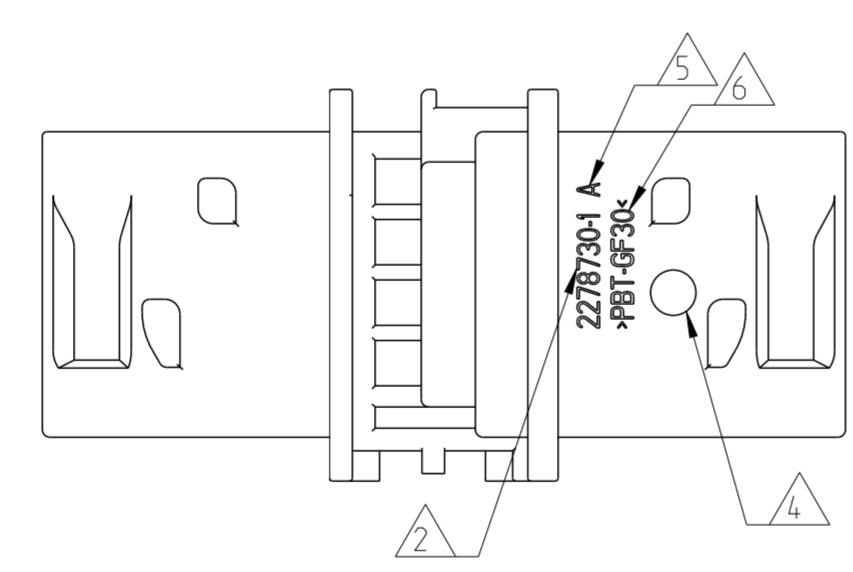
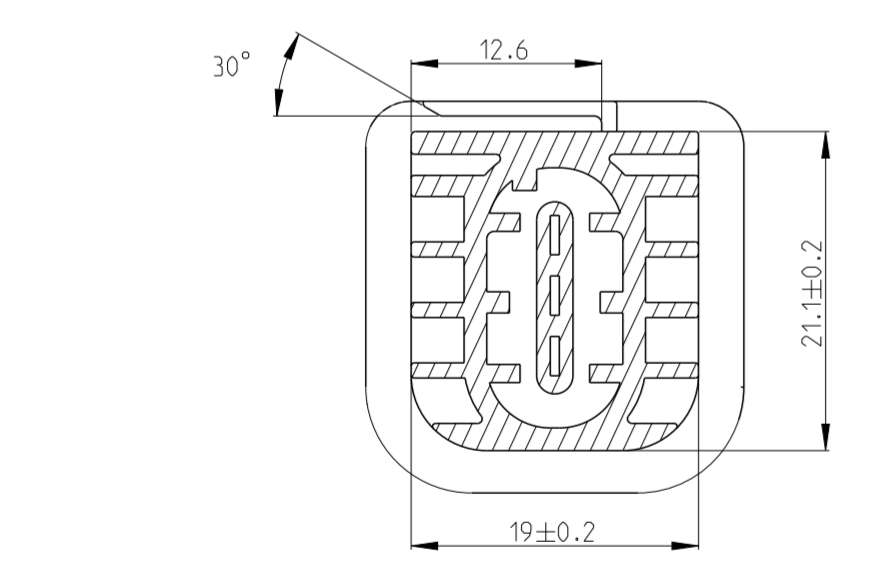
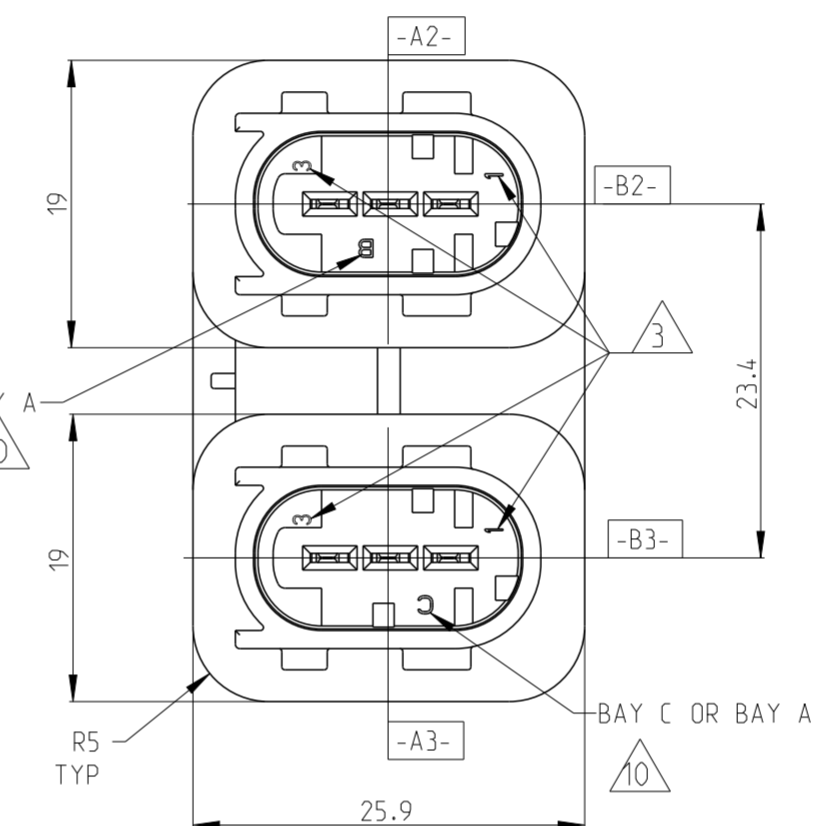
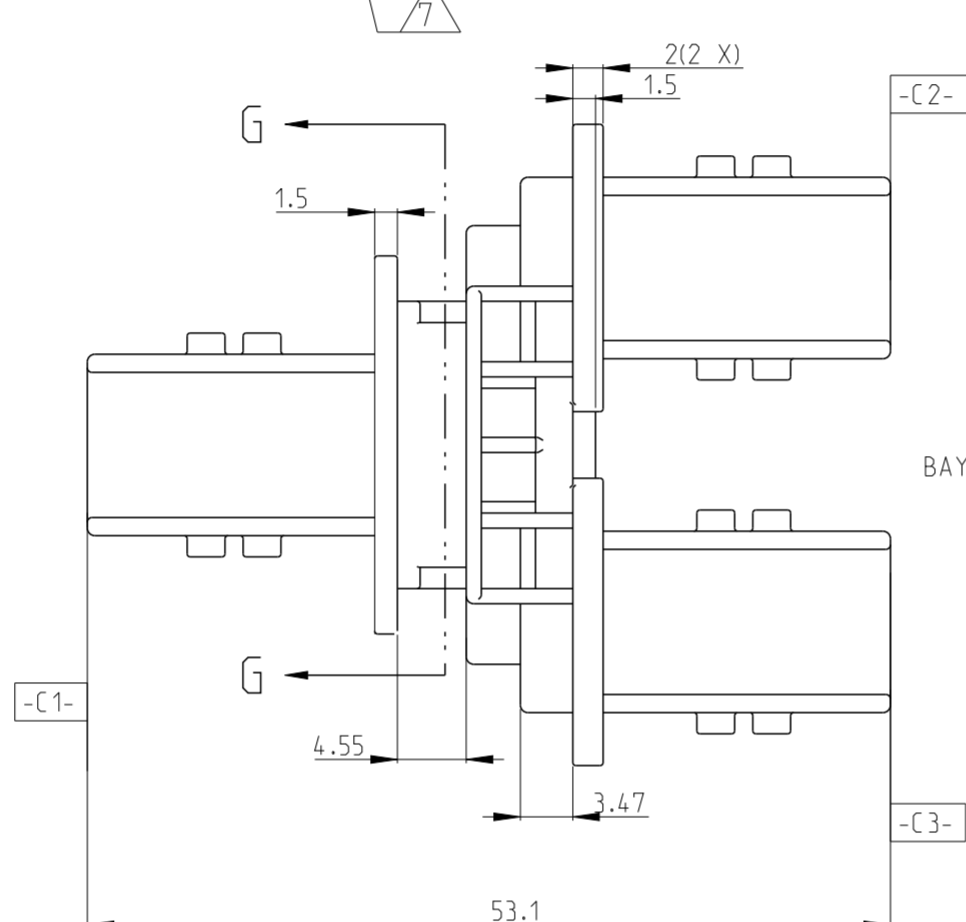
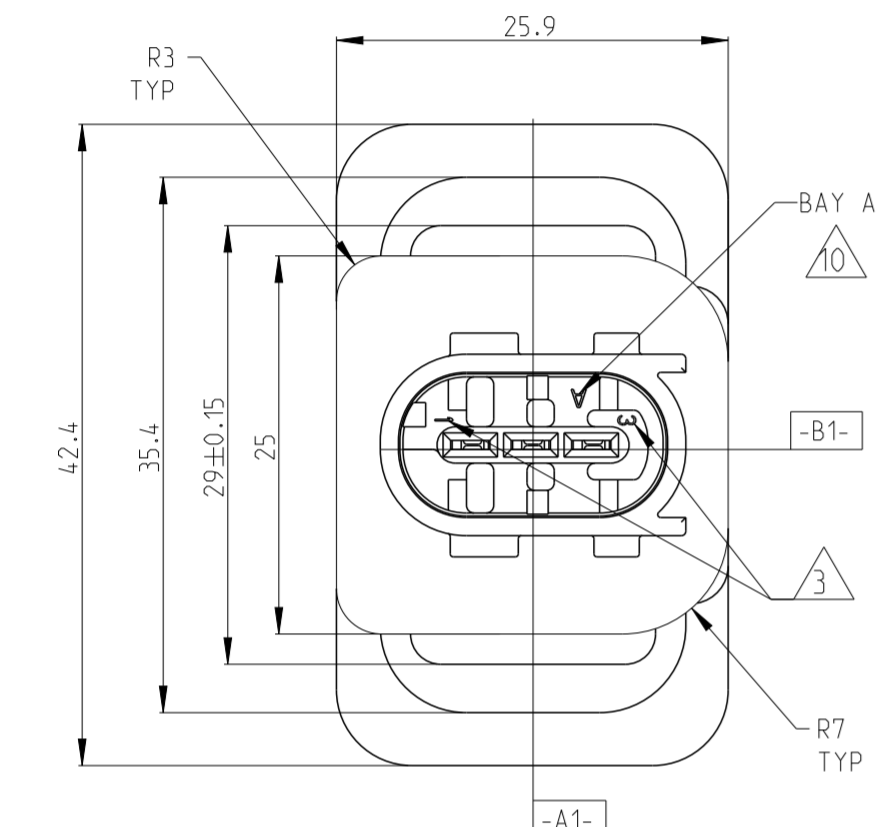
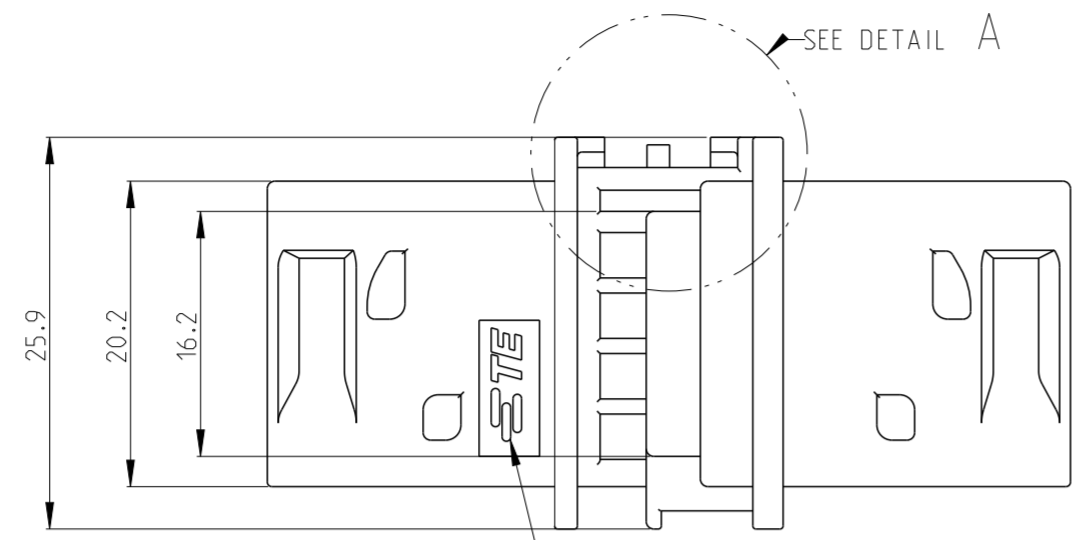
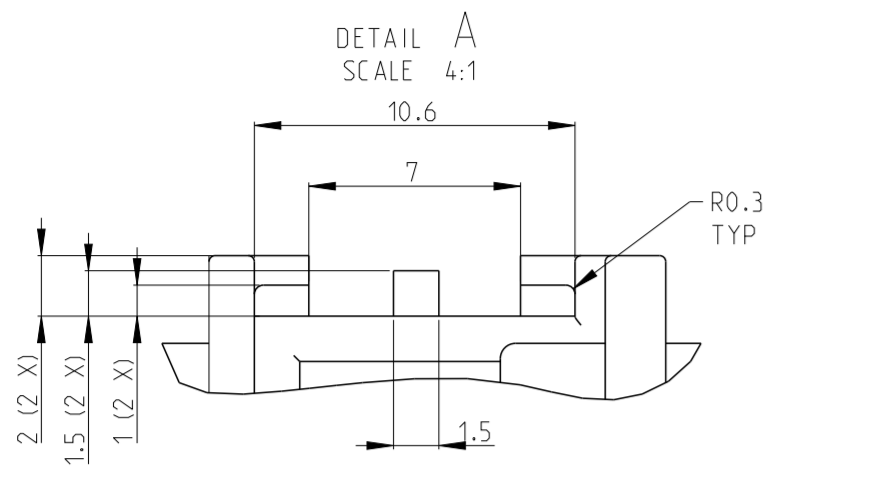
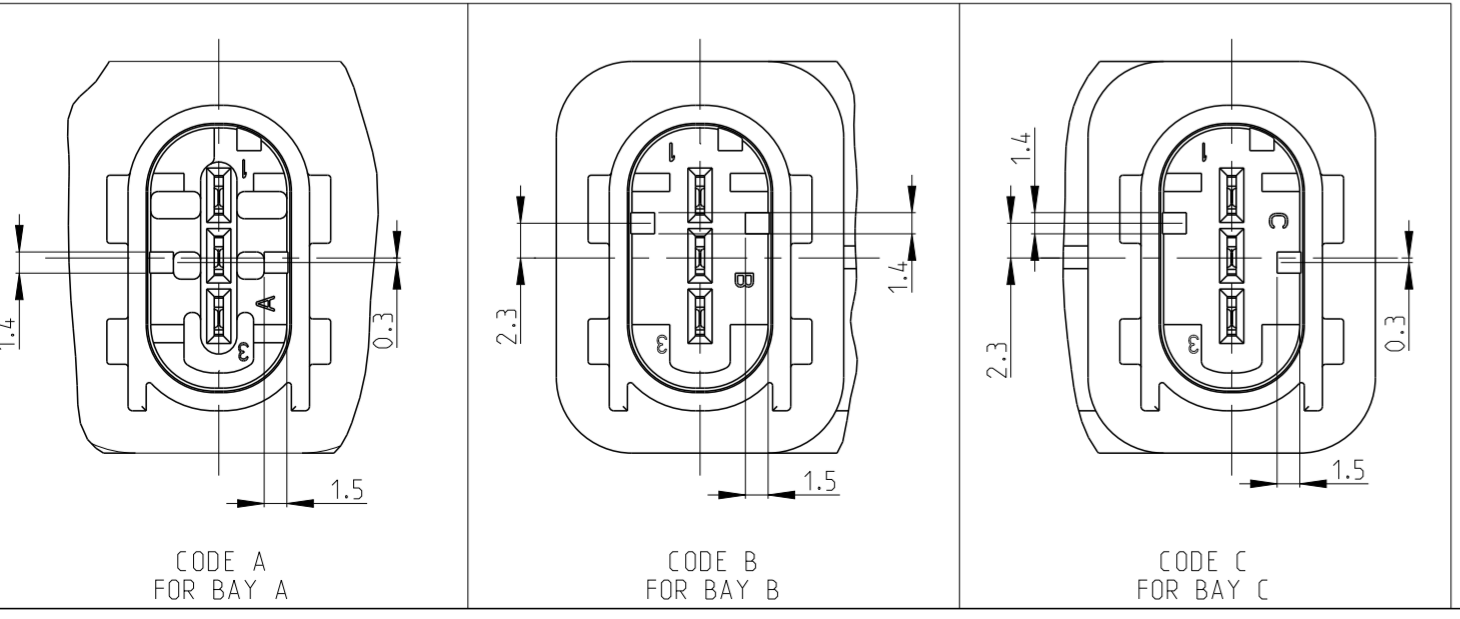


THIS DRAWING IS UNPUBLISHED. RELEASED FOR PUBLICATION 20
 © COPYRIGHT 20 BY - ALL RIGHTS RESERVED.

REVISIONS				
P	LTR	DESCRIPTION	DATE	APVD
	A	RELEASED	19FEB2016	H.J
	A1	ECR-17-015549	20OCT2017	C.W
	A2	ECN-22-136448	28JAN2022	J.S



- 1 MATERIAL: HOUSING: PBT-GF30;
PIN: CuSn4
材料: 塑胶本体: PBT-GF30;
端子: CuSn4
- 2 FINISH: MATING AREA: Au OVER Ni
端子接触区表面处理: 底镀镍表面镀金
- 3 TE P/N.
TE料号
- 4 PRODUCTION DATE WITH DATE CLOCK
产品生产日期用日期章表示
- 5 Version number
零件版本号
- 6 MOULD CAVITY NUMBER
模穴号
- 7 MATERIAL IDENTIFICATION
塑胶原材料标识
- 8 TE LOGO
TE公司标识
- 9 MATING WITH PLUG HOUSING SMOOTHLY.
PLUG HOUSING PRODUCT NUMBER: 1418448
产品需与线端连接器(料号1418448)同型号编码产品配对使用
- 10 BAY MARK
产品型号编码
- 11 INTERFACE SPEC ACCORDING TO 114-18743-1
产品接口规范请参考114-18743-1



QTY PER ASSY	PART LIST			
1	-	PBT-GF30	3P Y CONNECTOR HOUSING CODE A-A-A	2
-	1	PBT-GF30	3P Y CONNECTOR HOUSING CODE A-B-C	
3	3	CuSn4	Y CONTACT	1
2278730-2	2278730-1	MATERIAL	DESCRIPTION	ITEM

THIS DRAWING IS A CONTROLLED DOCUMENT.

DWN	H.JI	18FEB2016
CHK	E.JIANG	26FEB2016
APVD	J.YIN	10MAR2016

TE Connectivity

NAME: 3P CAN CONNECTOR, RECEPTACLE
Heavy Duty Sealed Connector Series
3位控制器局域网网络板端连接器

SIZE: A2 CAGE CODE: - DRAWING NO: 108-101414 APPLICATION SPEC: -

MATERIAL: 1 FINISH: 2

WEIGHT: -

CUSTOMER DRAWING SCALE: 1:1 SHEET: 1 OF 1 REV: A2