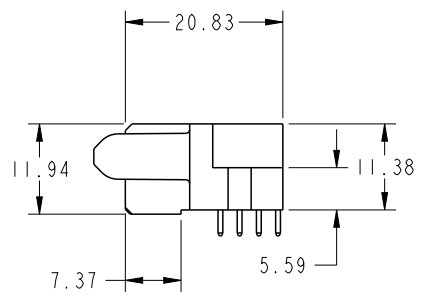
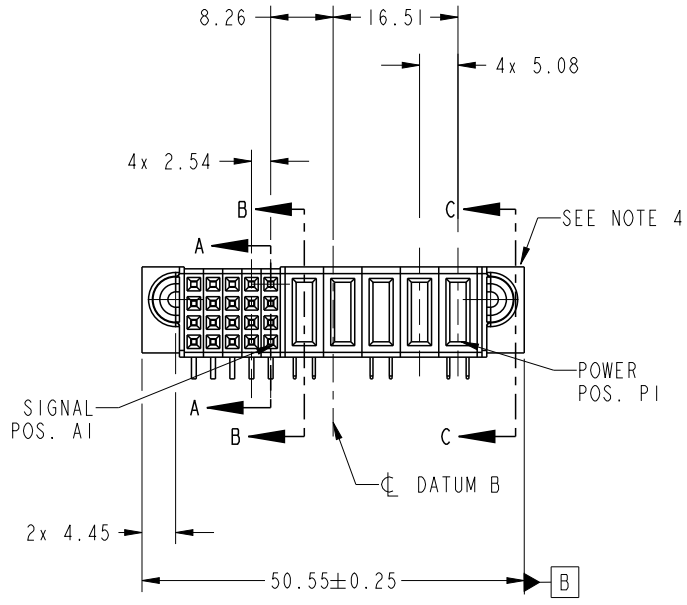


PRODUCT NO. 51915-401-- NOTE 3	ROWS D C B A	SIGNAL					POWER					E1	
		E2	5	4	3	2	1	P5	P4	P3	P2		P1
		H	H	H	H	H	PA	X	PC	X	PC		
		G	G	G	G	G							
		F	F	F	F	F							
		E	E	E	E	E							

CODE	DIM "M" MATING LENGTH	CONTACT TYPE
PA	[1.07]	POWER
PC	[2.34]	POWER
H	[N/A]	SIGNAL
G	[N/A]	SIGNAL
F	[N/A]	SIGNAL
E	[N/A]	SIGNAL
X	[N/A]	OMITTED



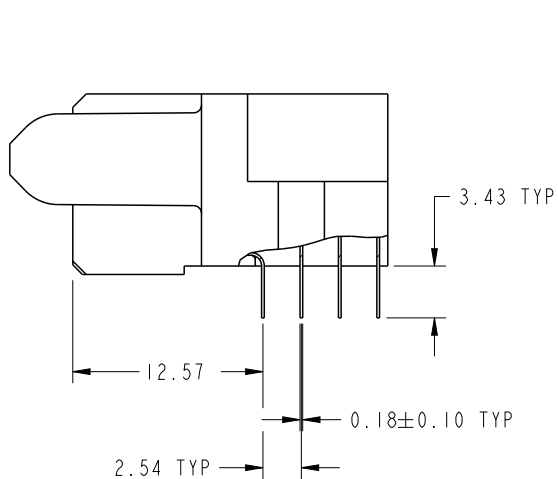
Copyright FCI.

spec ref	SEE NOTES			dr	Ruan MT	2013/05/02	projection 	MM ←→	size	A4	scale	1:1
tolerance std	TOLERANCES UNLESS OTHERWISE SPECIFIED			eng	Ruan MT	2013/05/20			ecn no	-		
SEE NOTES				chr	-	-			rel level	Released		
surface	✓	linear	0.X	±0.50	FCI www.fci.com	title 5DCP + 20S R/A SOLDER RECEPTACLE	product family	PwrBlade	dwg no	51915-401	rev	A
			0.XX	±0.25								
			0.XXX	±0.10								
		angular	0°	±2°	cat. no.	Product - Customer Drw			sheet 1 of 4			

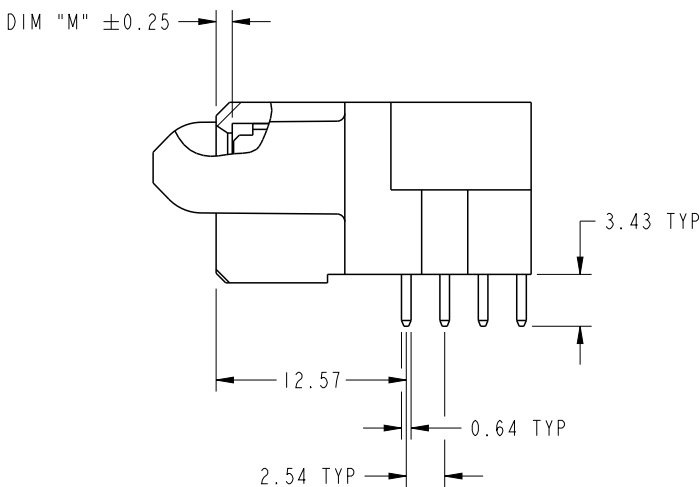
ProdE File - REV C - 2009-06-09

PRODUCT NUMBER

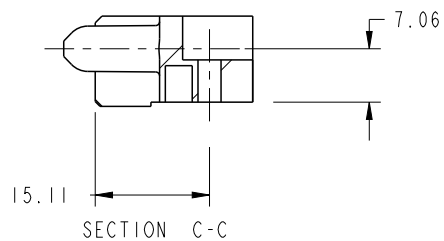
51915-401 --  
NOTE 3



BROKEN-OUT SECTION A-A  
SCALE 2:1



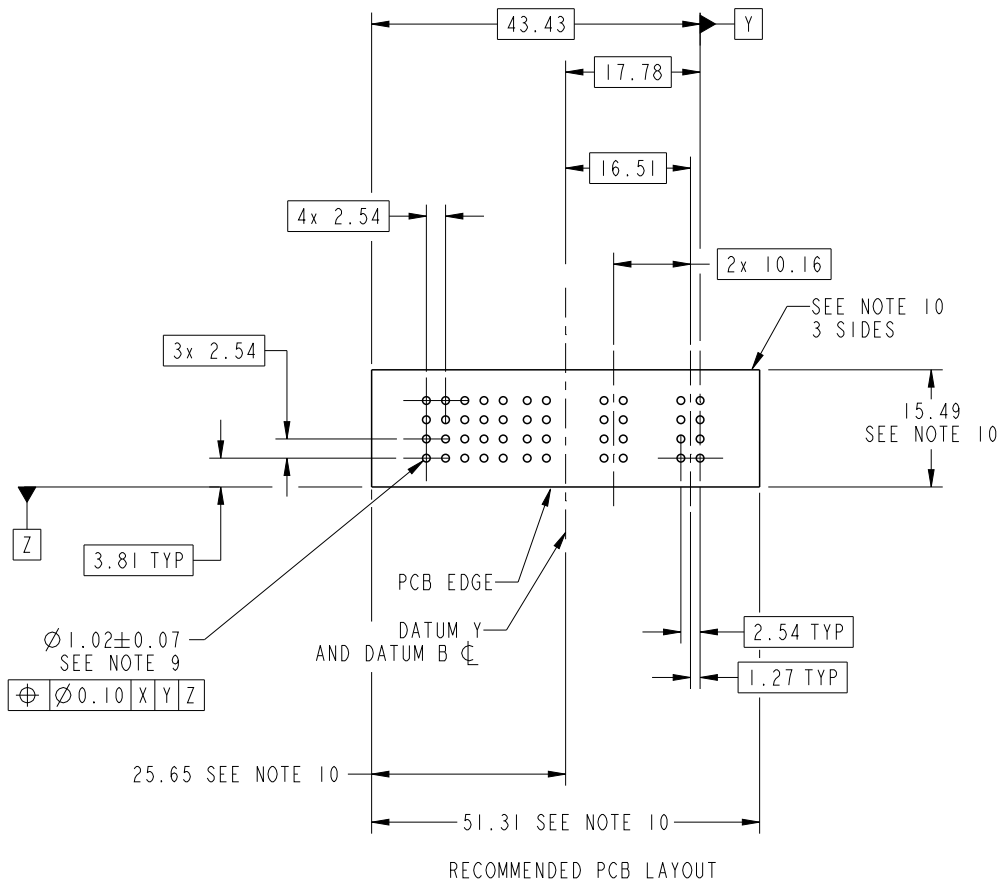
BROKEN-OUT SECTION B-B  
SCALE 2:1



dr	Ruan MT	2013/05/02	projection 	MM 	size	A4	scale	1:1
eng	Ruan MT	2013/05/20			ecn no	-		
chr	-	-			rel level	Released		
appr	Pei-Ming Zheng	2013/05/20	product family	PwrBlade				
		title 5DCP + 20S R/A SOLDER RECEPTACLE	dwg no 51915-401	rev A				
www.fci.com		cat. no.	Product - Customer Drw			sheet 2 of 4		

PRODUCT NUMBER

51915-401--  
NOTE 3



dr	Ruan MT	2013/05/02	projection 	MM 	size	A4	scale	1:1
eng	Ruan MT	2013/05/20			ecn no	-		
chr	-	-			rel level	Released		
appr	Pei-Ming Zheng	2013/05/20	product family	PwrBlade				
		title 5DCP + 20S R/A SOLDER RECEPTACLE	dwg no 51915-401	rev A				
www.fci.com		cat. no.	Product - Customer Drw		sheet 3 of 4			

PRODUCT NUMBER

51915-401--  
NOTE 3

NOTES:

1. DIMENSIONS AND TOLERANCES ARE IN ACCORDANCE WITH ASME Y14.5M, 1994 UNLESS OTHERWISE SPECIFIED.

CONNECTOR NOTES:

- 2. HOUSING MATERIAL: UL 94 V-0 GLASS FILLED HIGH-TEMP THERMOPLASTIC  
POWER CONTACT MATERIAL: COPPER ALLOY  
SIGNAL PIN MATERIAL: COPPER ALLOY
- 3. SEE ITEM 5 & 6 IN PRINT 10064183 FOR PLATING SPEC OF 51915-401 AND 51915-401LF RESPECTIVELY.

4. MANUFACTURER'S NAME, DATE CODE AND OPTIONAL P/N TO APPEAR ON THIS SURFACE. THE MARK CAN BE OMITTED IF THERE IS NOT ENOUGH SPACE ON THIS SURFACE.

5. PRODUCT SPECIFICATION GS-12-149.  
APPLICATION SPECIFICATION BUS-20-067.

6. PACKAGED IN TRAYS.

PCB NOTES:

7. ALL HOLE DIAMETERS ARE FINISHED HOLE SIZE.

8. MOUNTING HOLES, WHERE APPLICABLE, ARE UNPLATED.

9.  $\varnothing 1.151 \pm 0.025$  DRILLED HOLES PLATED WITH  
0.008 MIN SnPb OR Sn OVER 0.03  
TO 0.08 Cu PLATING TO ACHIEVE  
 $\varnothing 1.02 \pm .07$  HOLE.

10. CONNECTOR KEEP-OUT ZONE.

11. THE VOID CORING IN BETWEEN POWER MODULES, SIGNAL MODULES AND END MODULES ARE OPTIONAL AND THE SHAPE MAY BE DIFFERENT FOR OPTIMIZE THE MOLDING PROCESS. THE VOID CORING WILL NOT EFFECT TO PRODUCT FUNCTION.

dr	Ruan MT	2013/05/02	projection 	MM 	size	A4	scale	1:1			
eng	Ruan MT	2013/05/20			ecn no	-					
chr	-	-			product family	PwrBlade	rel level	Released			
appr	Pei-Ming Zheng	2013/05/20	www.fci.com		title	5DCP + 20S R/A SOLDER RECEPTACLE		dwg no	51915-401	rev	A
cat. no.		Product - Customer Drw			sheet 4 of 4						