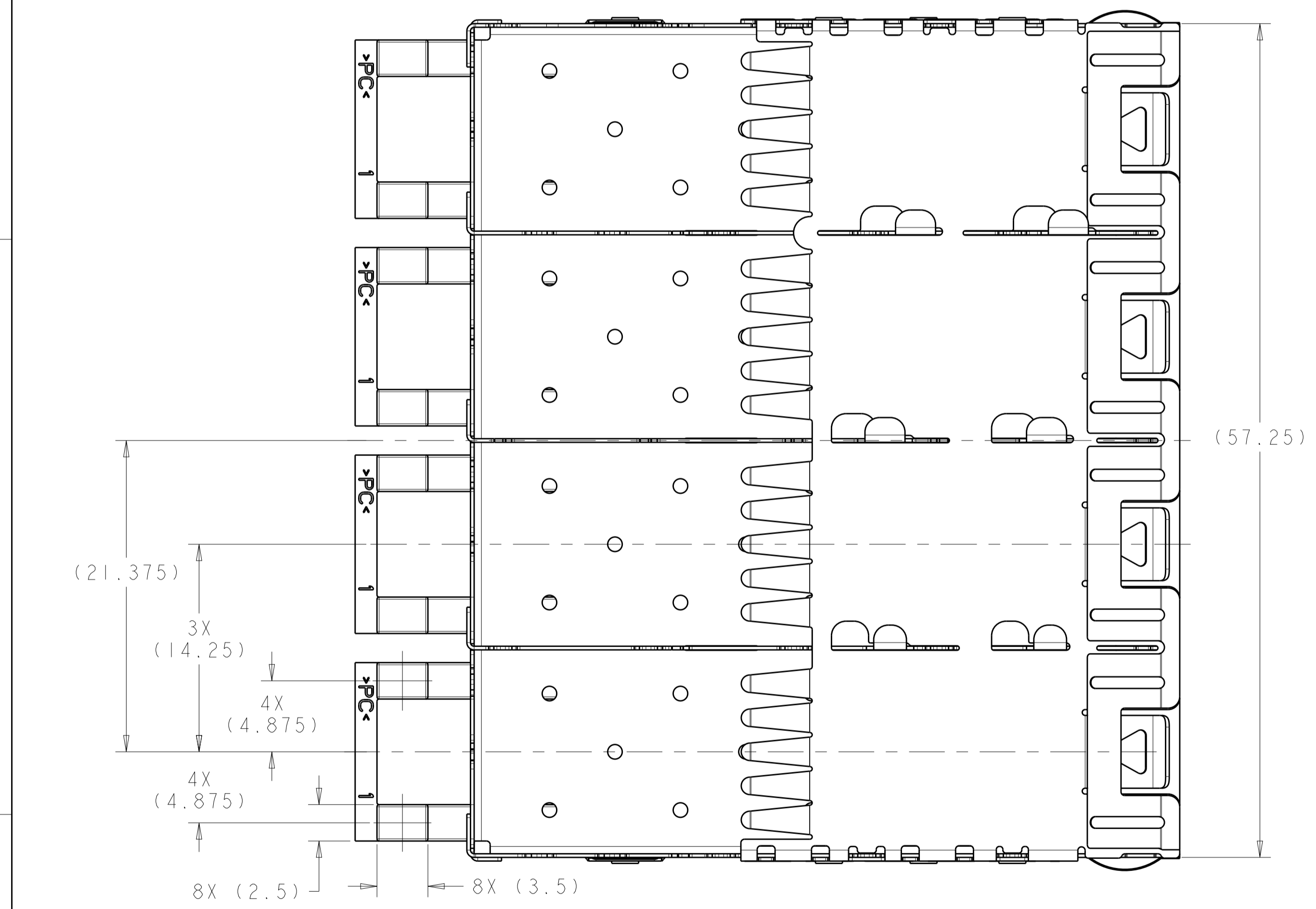
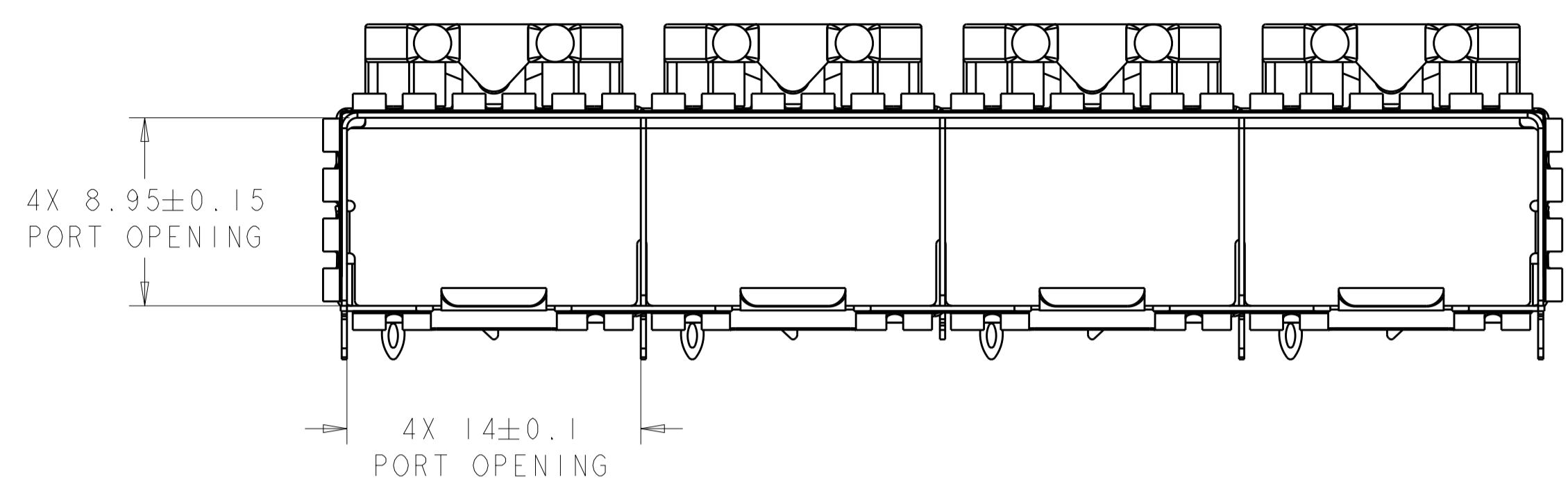
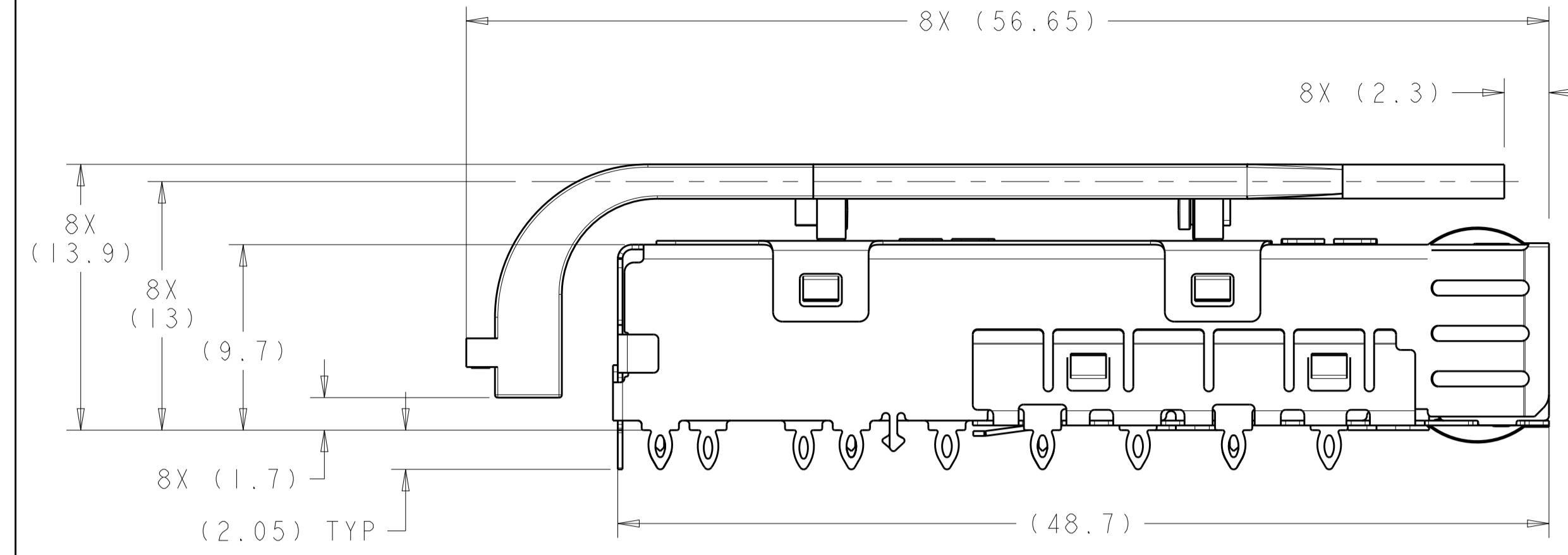
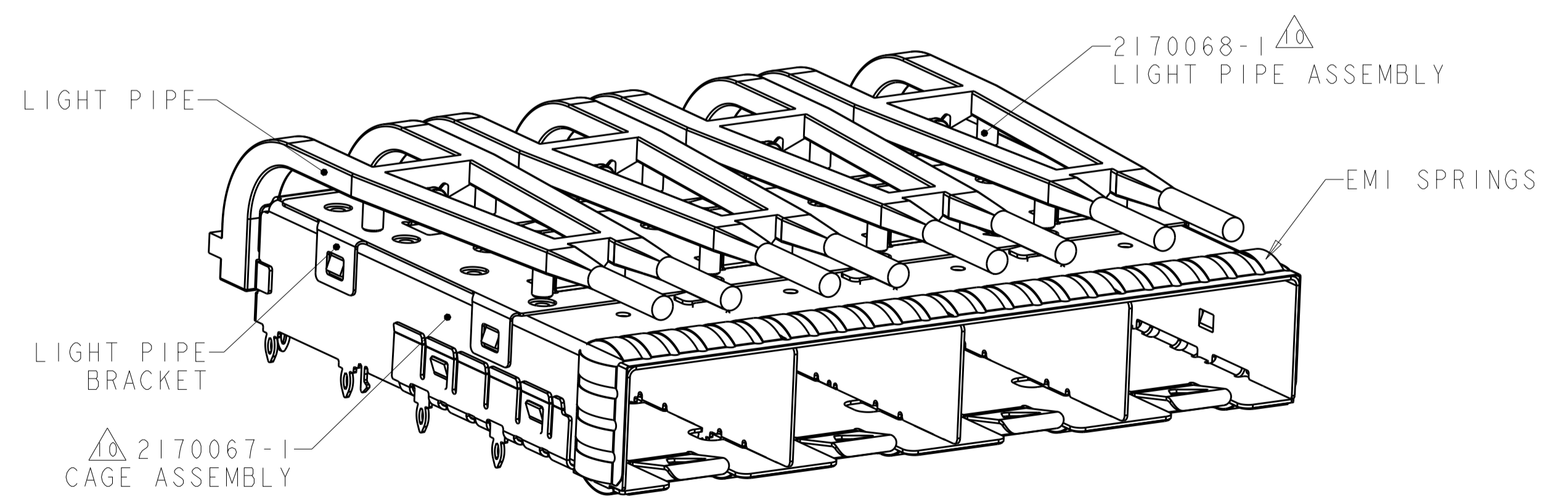


LOC		DIST		REVISIONS			
GP	00	P	LTH	DESCRIPTION	DATE	DMN	APVD
		1		PRELIMINARY RELEASE	09MAR2011	XT	WMO



- △ MATERIAL:
 CAGE ASSEMBLY - 0.25mm THICK NICKEL SILVER ALLOY
 EMI SPRING - PHOSPHOR BRONZE
 LIGHT PIPE BRACKET - STAINLESS STEEL
 LIGHT PIPE - POLYCARBONATE, CLEAR
- △ MINIMUM PC BOARD THICKNESS = 1.50mm.
- △ PADS AND VIAS CHASSIS GROUND.
- △ DATUM AND BASIC DIMENSION ESTABLISHED BY CUSTOMER.
- 5. MATES WITH SFP MSA COMPLIANT TRANSCEIVERS.
- 6. INTERPRETATION OF DATUM REFERENCE FRAME IN ACCORDANCE WITH SECT 4.4.1.1 OF ASME Y14.5M-1994.
- △ REFERENCE APPLICATION SPEC. 114-13120, HOLE A, FOR RECOMMENDED DRILL HOLE DIAMETER AND PLATING THICKNESS.
- △ REFERENCE APPLICATION SPEC. 114-13120, HOLE B, FOR RECOMMENDED DRILL HOLE DIAMETER AND PLATING THICKNESS.
- △ HOLE PATTERN REPEATS FOR EACH PORT. SPACING BETWEEN PORTS IS 14.25mm.
- △ LIGHT PIPE ASSEMBLY SHIPPED UNASSEMBLED TO CAGE ASSEMBLY. CAGE ASSEMBLY TO BE PRESSED INTO THE PCB PRIOR TO ATTACHING THE LIGHT PIPE ASSEMBLY TO THE CAGE.
- 11. PRODUCT HAS NOT COMPLETED QUALIFICATION TESTING.

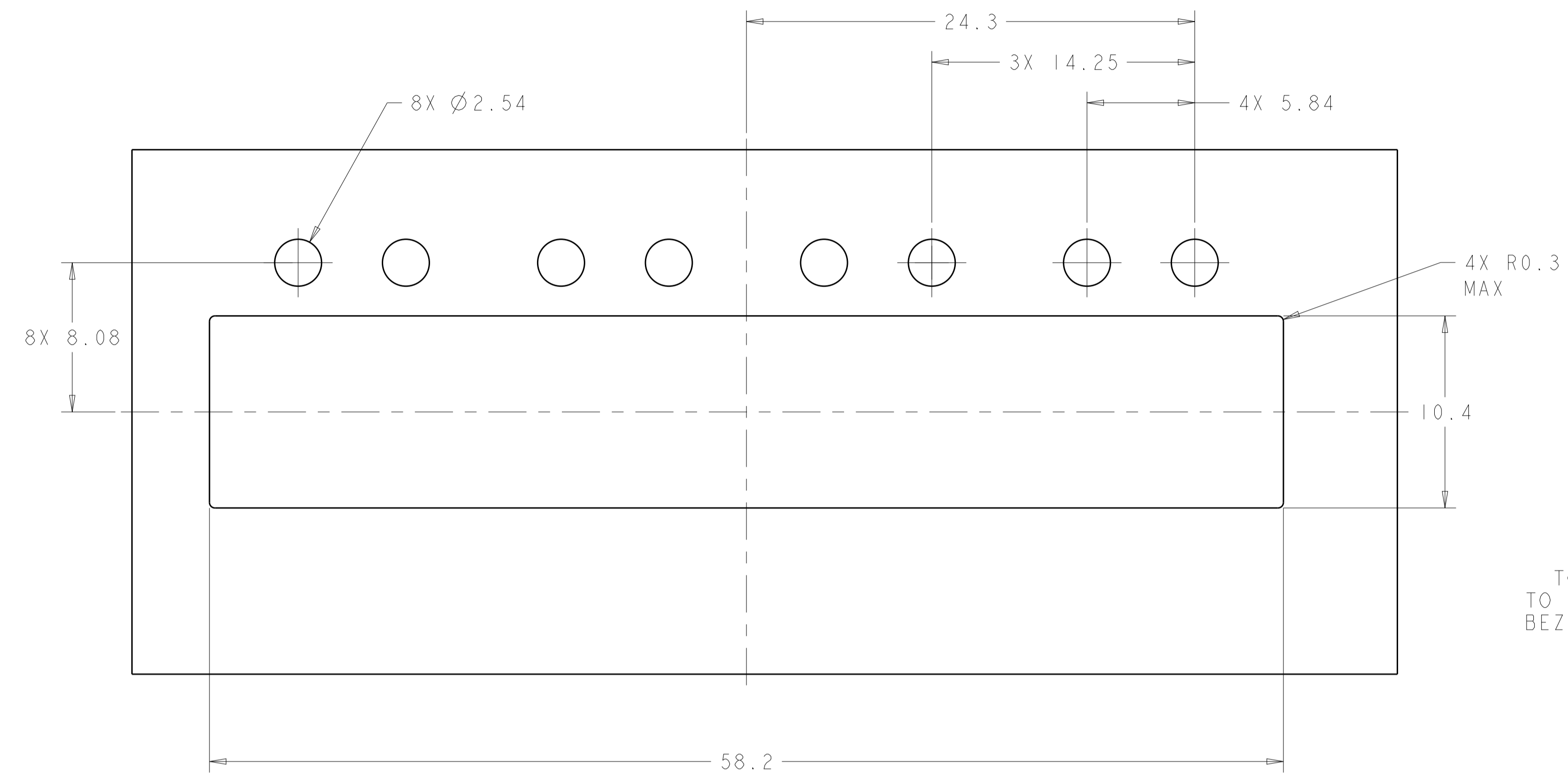


2170066-1
 FINISHED ASSEMBLY
 SCALE 3:1

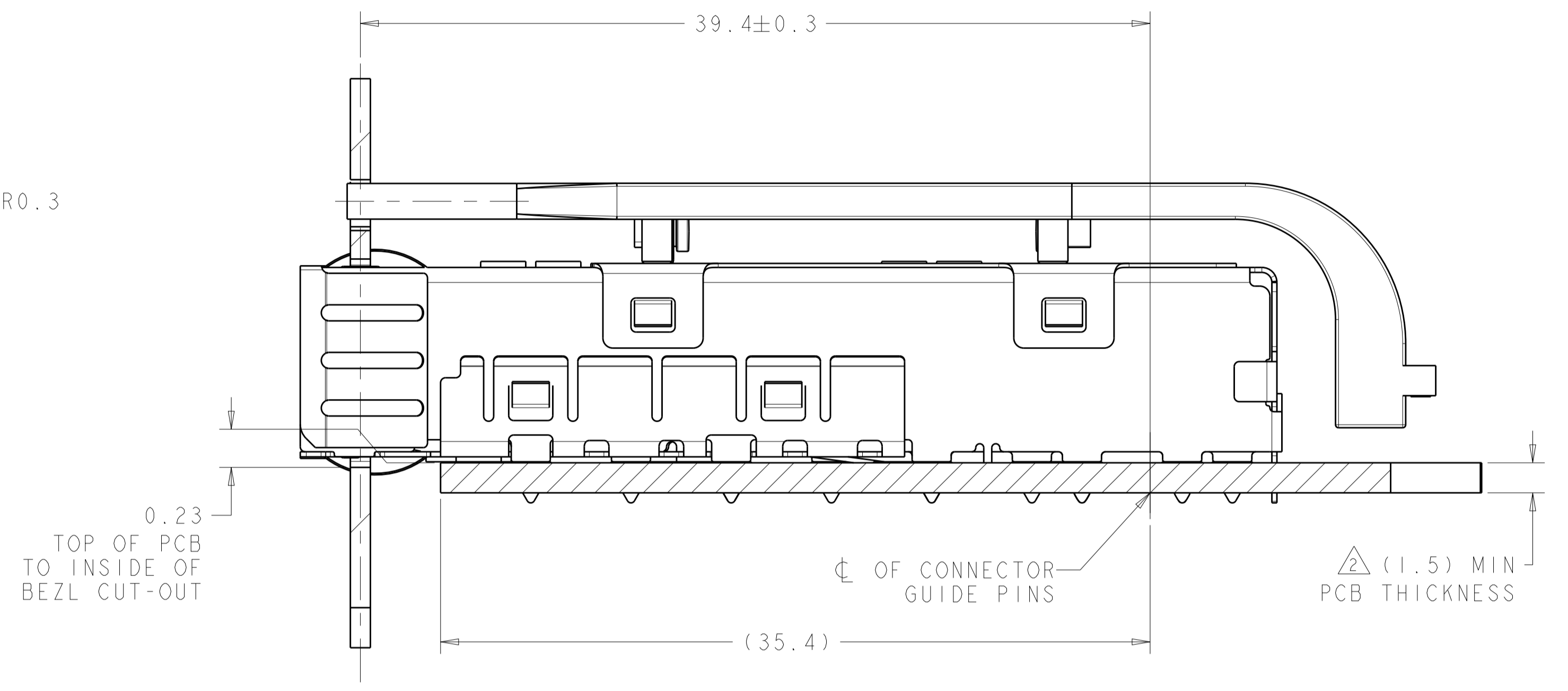
2170066-1
 PART
 NUMBER

DIMENSIONS: mm 		TOLERANCES UNLESS OTHERWISE SPECIFIED: 0 PLC ±0.1 1 PLC ±0.1 2 PLC ±0.1 3 PLC ±0.1 4 PLC ±0.1 ANGLES ±1.0 FINISH -		DWN TIM XUE 09MAR2011 CHK MANOJAN WANG 09MAR2011 APVD MANOJAN WANG 09MAR2011 PRODUCT SPEC 108-2364 APPLICATION SPEC 114-13120 WEIGHT - Customer Drawing		Tyco Electronics Shanghai, PRC 200233 NAME SFP+ ENHANCED 1X4 CAGE ASSEMBLY, PRESS-FIT, EMI GASKET, LOW PROFILE LIGHT PIPES SIZE CAGE CODE DRAWING NO RESTRICTED TO A 100779 C=2170066 SCALE 2:1 SHEET 1 OF 3 REV A	
-----------------------	--	---	--	---	--	--	--

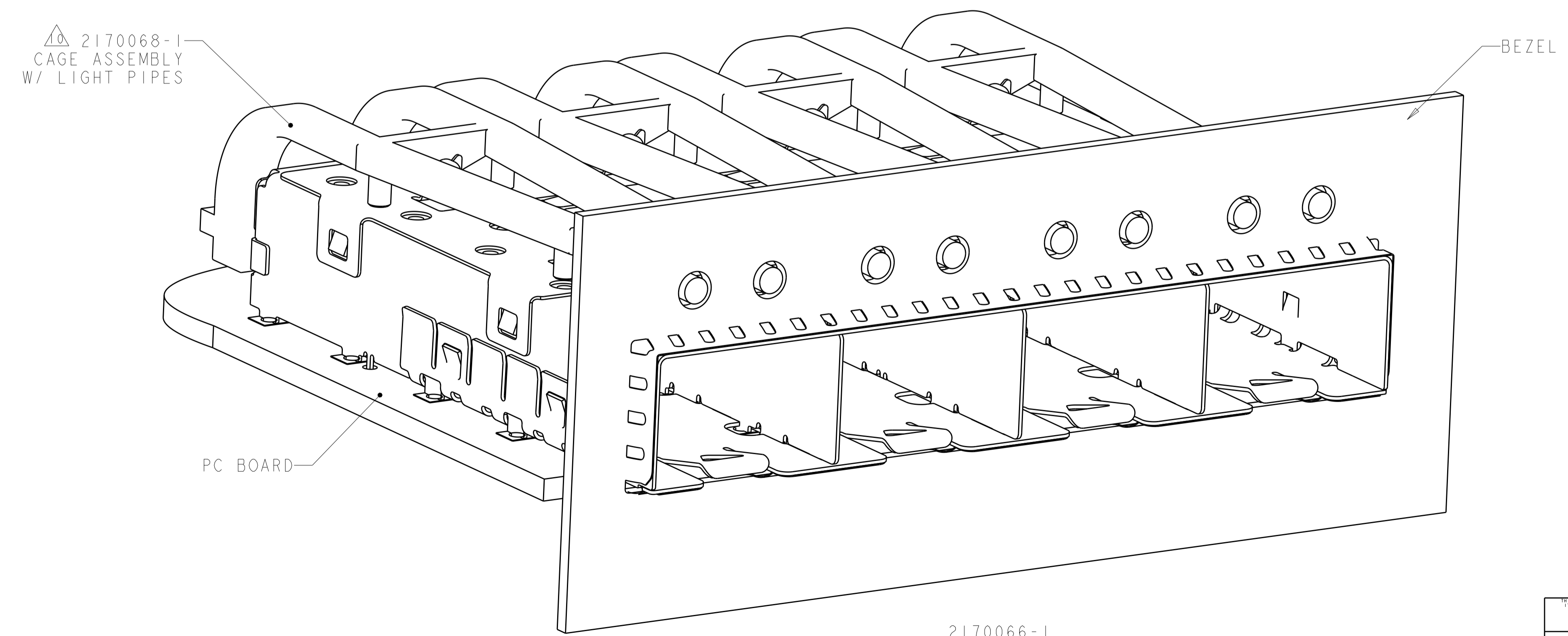
LOC	DIST	REVISIONS					
GP	00	P	LTN	DESCRIPTION	DATE	DMN	APVD
-	-	-	-	SEE SHEET 1	-	-	-



RECOMMENDED BEZEL CUT-OUT
 SINGLE SIDIED APPLICATIONS



2170066-1
 MOUNTED ON PC BOARD
 SHOWN THRU RECOMMENDED BEZEL
 SECTION



2170066-1
 MOUNTED ON PC BOARD, SHOWN
 THRU RECOMMENDED BEZEL

<small>THIS DRAWING IS UNPUBLISHED. RELEASED FOR PUBLICATION BY TYCO ELECTRONICS CORPORATION. ALL RIGHTS RESERVED.</small>		DWN: TIM XUE 09MAR2011 CHK: MANQIAN WANG 09MAR2011 APVD: MANQIAN WANG 09MAR2011	Tyco Electronics Shanghai, PRC 200233
DIMENSIONS: mm	TOLERANCES UNLESS OTHERWISE SPECIFIED: 0 PLC ±0.1 1 PLC ±0.1 2 PLC ±0.1 3 PLC ±0.1 4 PLC ±0.1 ANGLES ±1.0 FINISH	NAME: SFP+ ENHANCED 1X4 CAGE ASSEMBLY, PRESS-FIT, EMI GASKET, LOW PROFILE LIGHT PIPES PRODUCT SPEC: 108-2364 APPLICATION SPEC: 114-13120 WEIGHT: -	SIZE: A CAGE CODE: 00779 DRAWING NO: C=2170066 RESTRICTED TO: -
MATERIAL: -	FINISH: -	WEIGHT: -	SCALE: 2:1 SHEET 2 OF 3 REV A
Customer Drawing			

