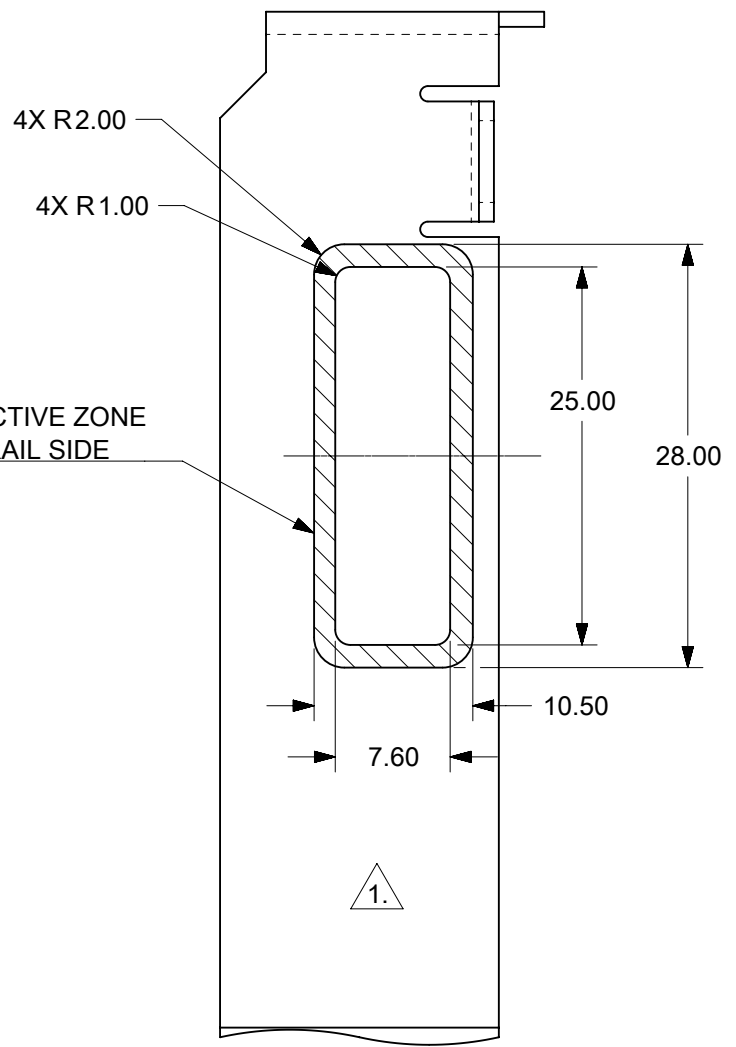
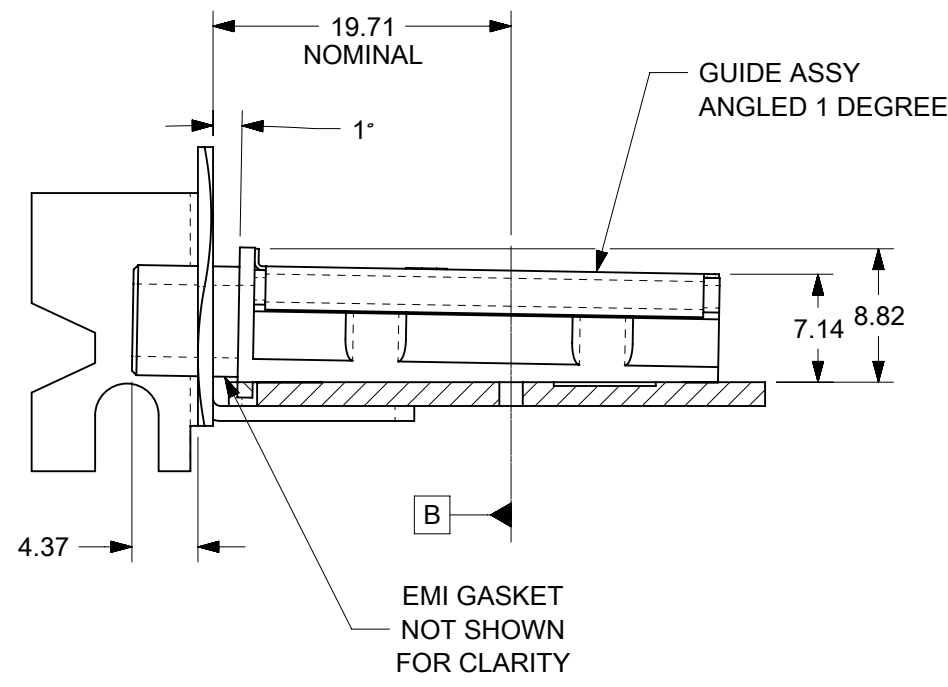
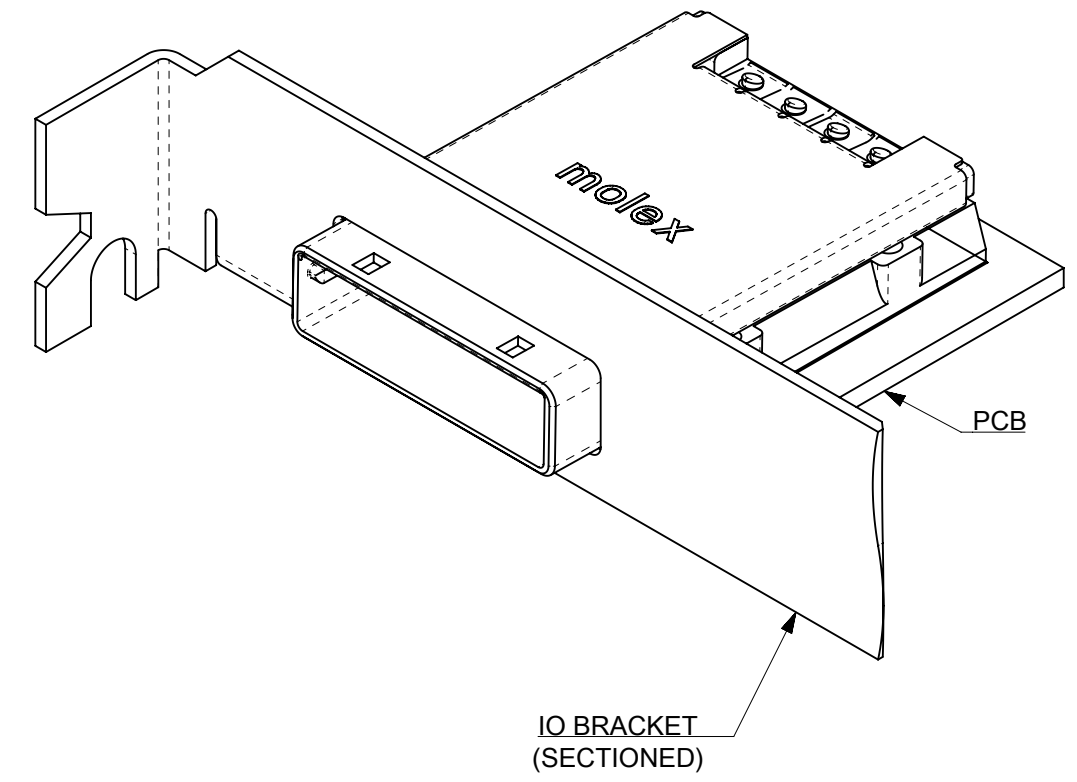


REF. SD-75586-001 FOR RECEPTACLE AND PCB LAYOUT INFORMATION



IO BRACKET WINDOW

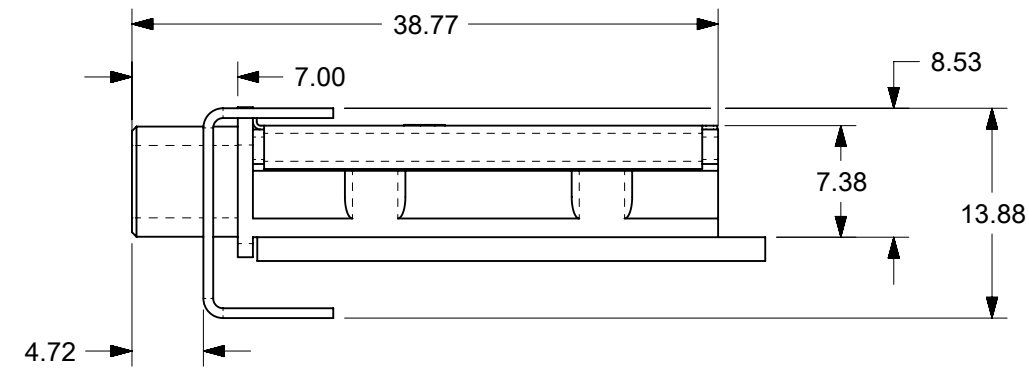
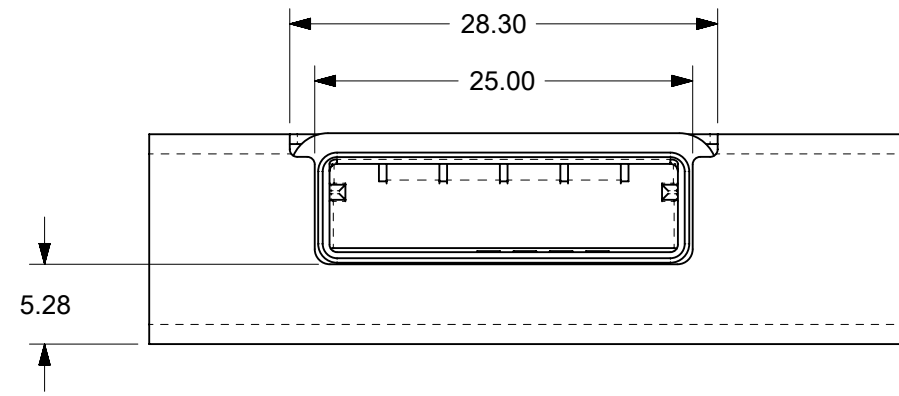
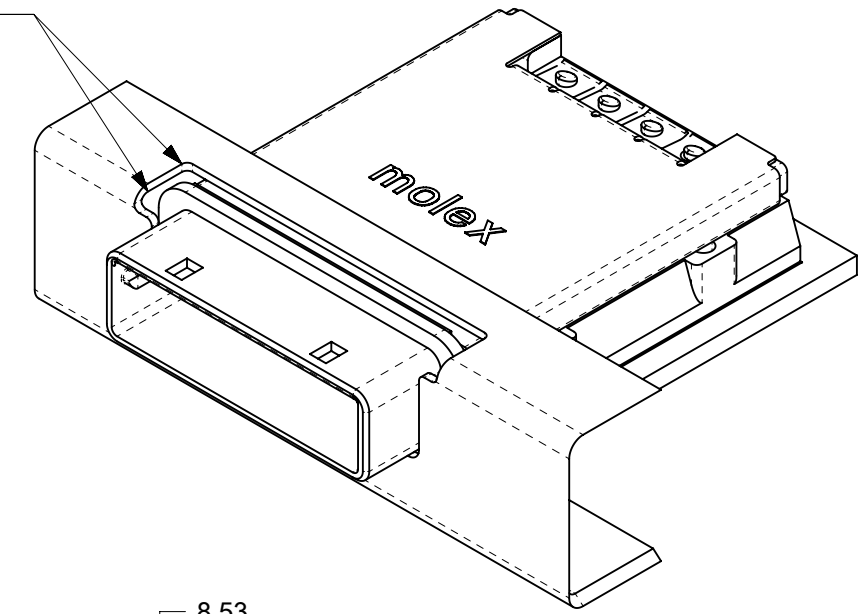


- NOTES:
- REF. PCI EXPRESS CARD ELECTROMECHANICAL SPECIFICATION, REV 1.0a FOR IO BRACKET WINDOW LOCATION.
 - PCB AND IO BRACKET SHOWN FOR REFERENCE ONLY.
 - REFER TO SHEET 2 FOR ATCA GUIDE HOUSING ASSEMBLY.
 - GUIDE HOUSING MOUNTING THREAD= M2.5 X 0.45.
 - NO RoHS EXEMPTIONS

iPass™ is a trademark of Molex.

THIS DRAWING CONTAINS INFORMATION THAT IS PROPRIETARY TO MOLEX ELECTRONIC TECHNOLOGIES, LLC AND SHOULD NOT BE USED WITHOUT WRITTEN PERMISSION											
DIMENSION UNITS		SCALE		CURRENT REV DESC:						molex	
MM		2:1									
GENERAL TOLERANCES (UNLESS SPECIFIED)				EC NO: 620216		DRWN: AKUMAR19		2018/06/21		IPASS X4 EMI GUIDE HOUSING ASSEMBLY GEN 1	
4 PLACES ±				CHK'D: GGA		2019/07/09					
3 PLACES ±				APPR: GGA		2019/07/09		PRODUCT CUSTOMER DRAWING			
2 PLACES ± 0.05				INITIAL REVISION:		DRWN: BAREED		2005/02/03		DOCUMENT NUMBER	
1 PLACE ± 0.1				APPR: DDOYE		2005/02/03		SD-74540-400		DOC TYPE DOC PART REVISION	
0 PLACES ±				ANGULAR TOL ± 0.5°		MATERIAL NUMBER		CUSTOMER		SHEET NUMBER	
DRAFT WHERE APPLICABLE MUST REMAIN WITHIN DIMENSIONS				THIRD ANGLE PROJECTION		DRAWING		SERIES		SEE TABLE	
				B-SIZE		74540		GENERAL MARKET		1 OF 3	

GASKETS NOT SHOWN FOR CLARITY



ADVANCED TCA
LOW PROFILE GUIDE
HOUSING ASSEMBLY

PART NUMBER	DESCRIPTION	ELASTOMERIC GASKET FLAMMABILITY RATING
74540-0400	X4 EMI GUIDE HOUSING ASSEMBLY - PCIe	
74540-0500	X4 EMI GUIDE HOUSING ASSEMBLY - ATCA	

iPass™ is a trademark of Molex.

THIS DRAWING CONTAINS INFORMATION THAT IS PROPRIETARY TO MOLEX ELECTRONIC TECHNOLOGIES, LLC AND SHOULD NOT BE USED WITHOUT WRITTEN PERMISSION											
DIMENSION UNITS		SCALE		CURRENT REV DESC:						molex	
MM		2:1									
GENERAL TOLERANCES (UNLESS SPECIFIED)				EC NO: 620216		DRWN: AKUMAR19		2018/06/21		IPASS X4 EMI GUIDE HOUSING ASSEMBLY GEN 1	
				DRWN: BAREED		CHK'D: GGA		2019/07/09			
				APP: GGA		APP: GGA		2019/07/09		PRODUCT CUSTOMER DRAWING	
				INITIAL REVISION:		DRWN: BAREED		2005/02/03		DOCUMENT NUMBER	
				APP: DDOYE		APP: DDOYE		2005/02/03		SD-74540-400	
				THIRD ANGLE PROJECTION		DRAWING		SERIES		MATERIAL NUMBER	
				DRAFT WHERE APPLICABLE MUST REMAIN WITHIN DIMENSIONS		B-SIZE		74540		CUSTOMER	
										GENERAL MARKET	
										SHEET NUMBER	
										2 OF 3	

