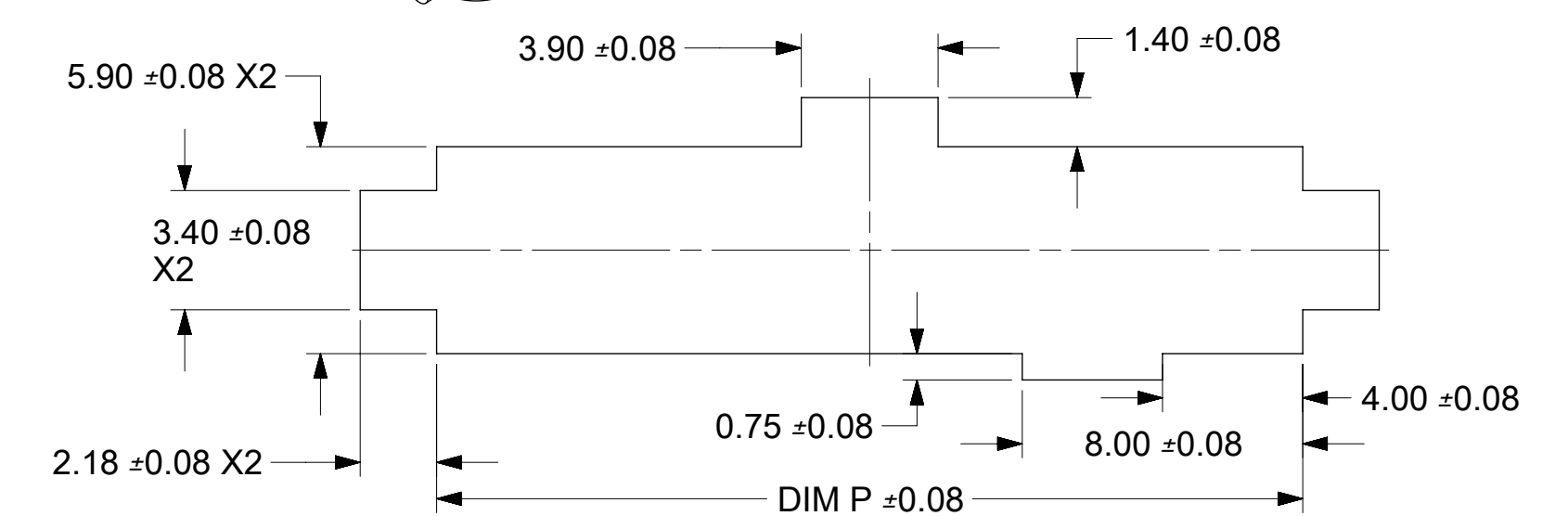
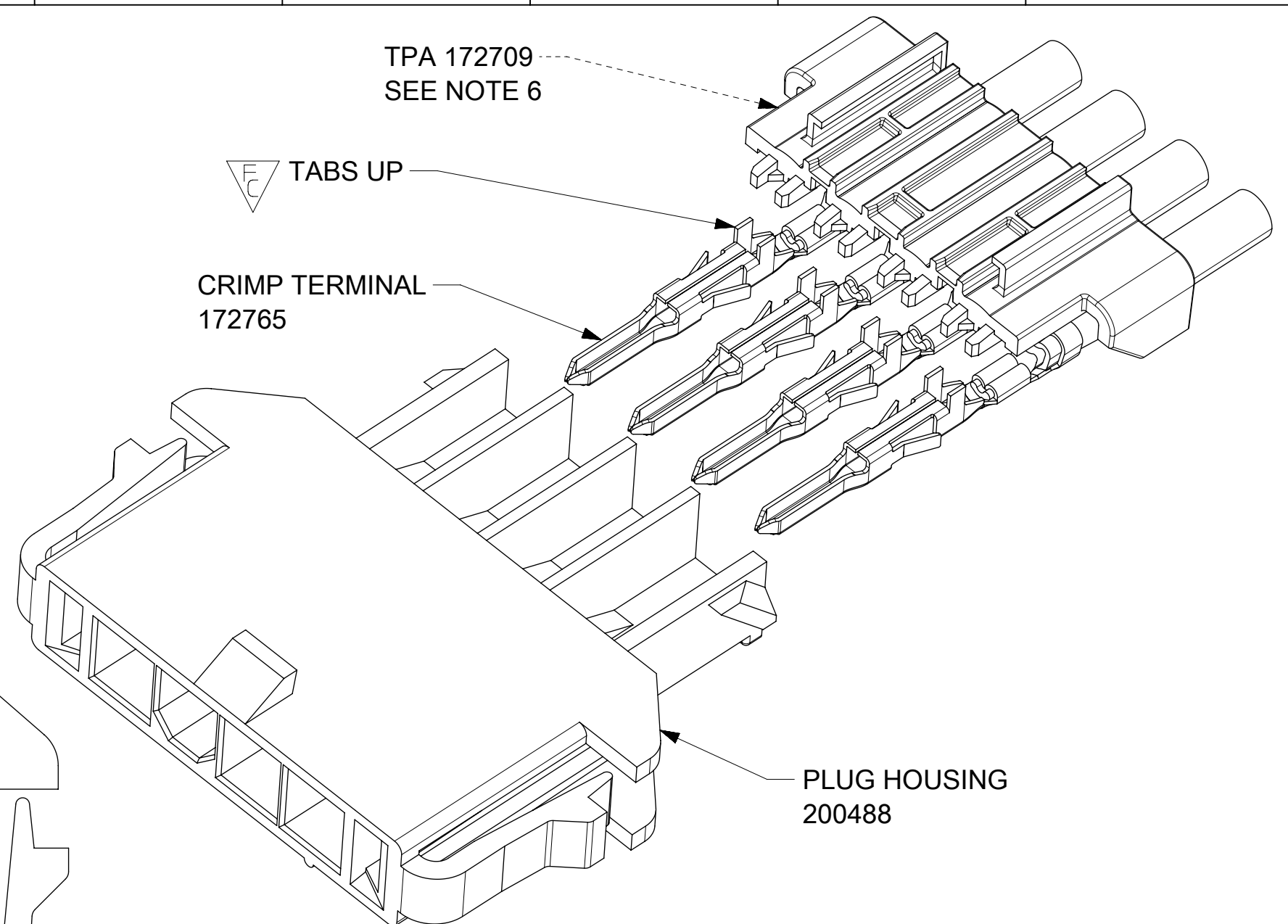
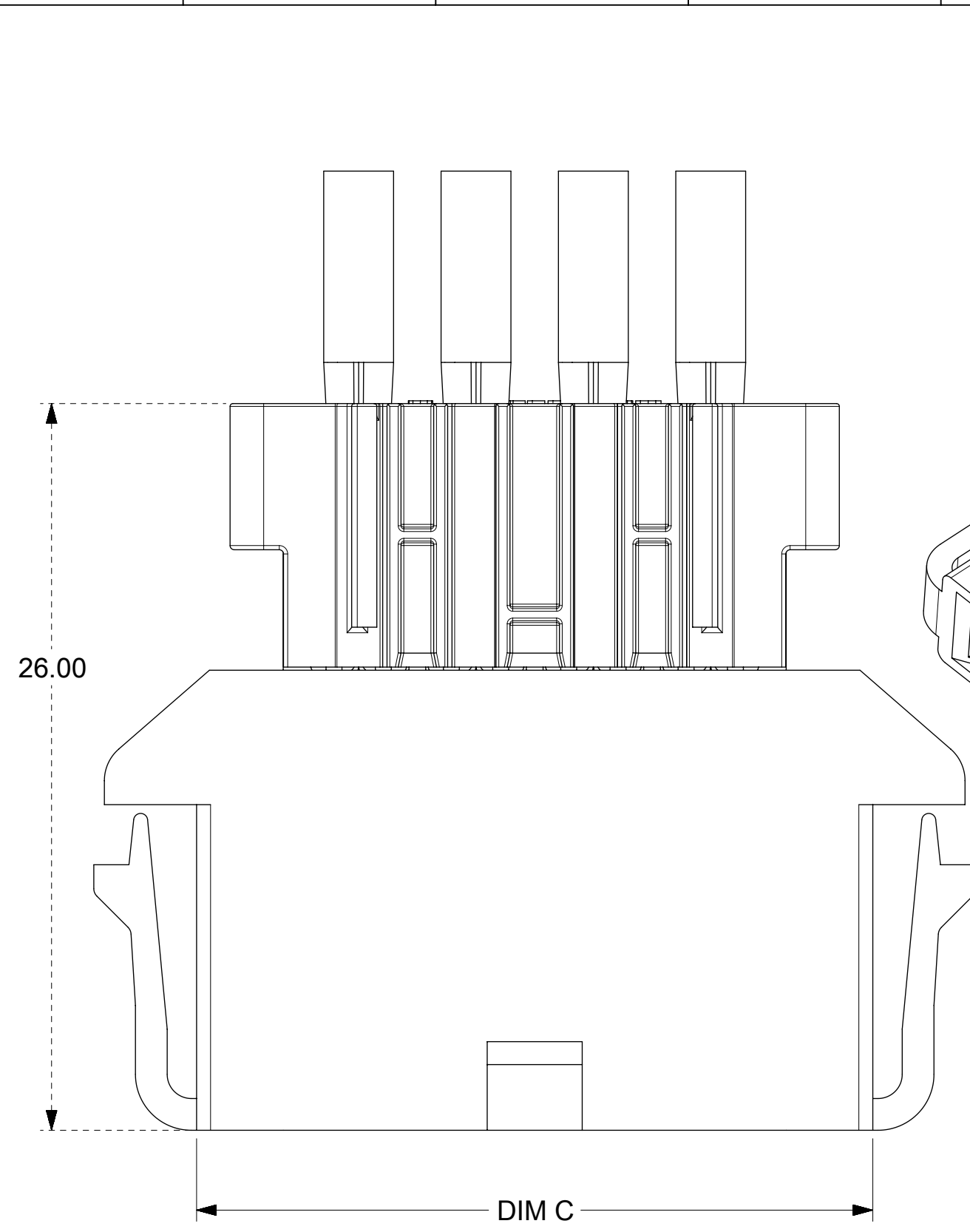
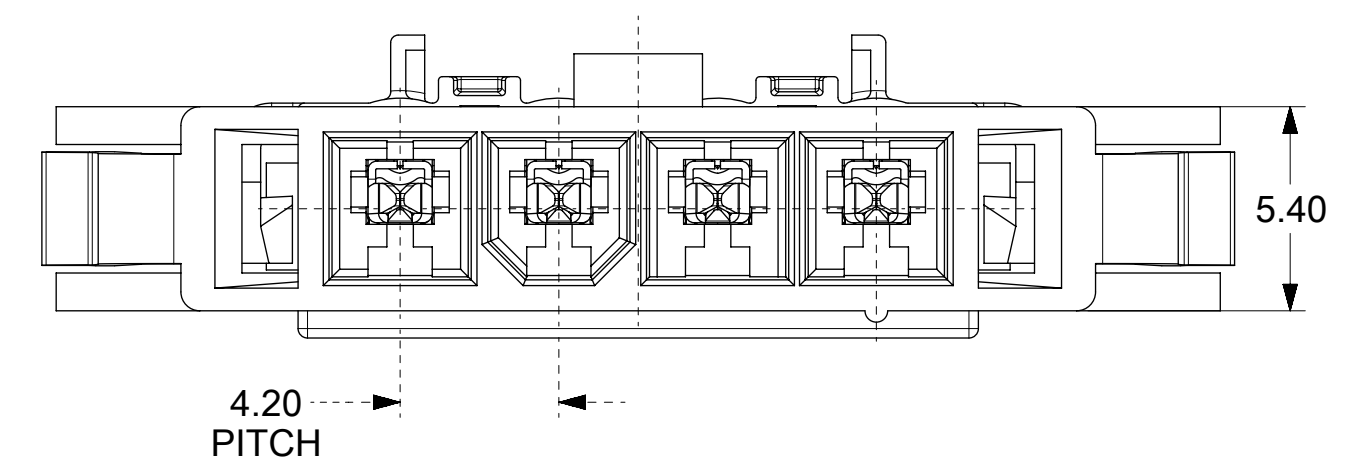
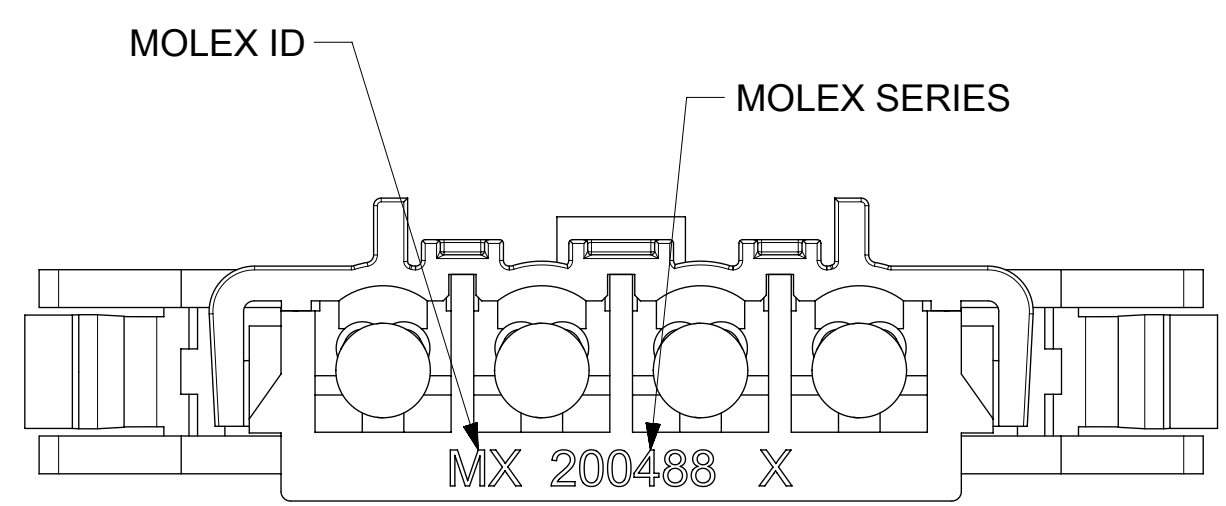
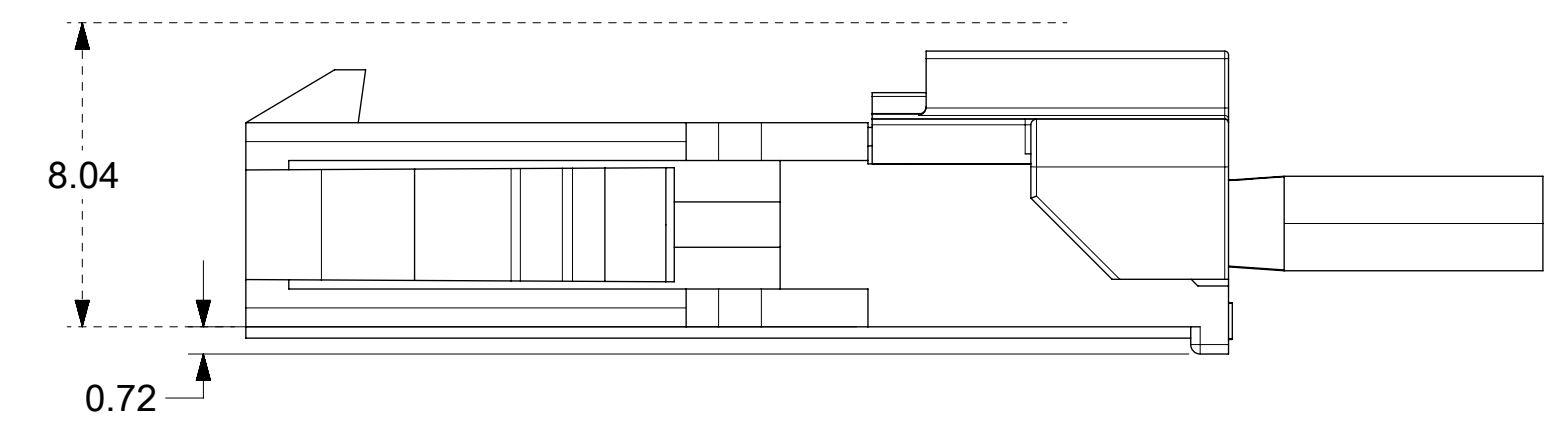


PART NUMBER	CKTS	DIM C	DIM P	MATERIAL
2004880002	2	15.80	16.30	A
2004880102	2	15.80	16.30	B
2004880202	2	15.80	16.30	C
2004880003	3	20.00	20.50	A
2004880103	3	20.00	20.50	B
2004880203	3	20.00	20.50	C
2004880004	4	24.20	24.70	A
2004880104	4	24.20	24.70	B
2004880204	4	24.20	24.70	C
2004880005	5	28.40	28.90	A
2004880105	5	28.40	28.90	B
2004880205	5	28.40	28.90	C
2004880006	6	32.60	33.10	A
2004880106	6	32.60	33.10	B
2004880206	6	32.6	33.10	C



RECOMMENDED PANEL CUTOUT
MAX PANEL THICKNESS 1.60

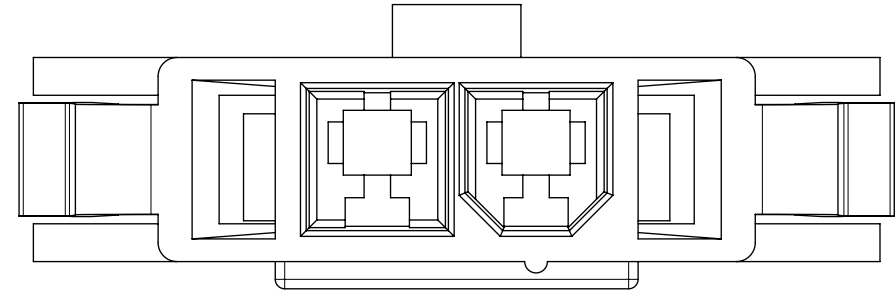


- NOTES:
- MATERIAL:
'A' = NYLON V-0, LOW HALOGEN, COLOR: BLACK
'B' = NYLON V-2, GLOW WIRE CAPABLE, COLOR: BLACK
'C' = NYLON V-2; COLOR: BLACK
 - FINISH: NONE
 - PRODUCT SPECIFICATION: PS-172718-0000
APPLICATION SPECIFICATION: AS-172718-0000
 - PACKAGING SPECIFICATION:
2004880000-PK
 - THIS HOUSING TO BE USED WITH MALE TERMINAL SERIES 172765 AND TPA SERIES 172709.
 - THIS PRODUCT MUST BE USED WITH THE TPA INSTALLED.
 - THIS PART MATES WITH SERIES 5557 & 200453.
 - THIS PART CONFORMS TO CLASS 'B' REQUIREMENTS OF COSMETIC SPECIFICATION PS-45499-002.
 - FOR BLACK 'B' MATERIAL USE CLASS C GATE BLIMISH SPEC.

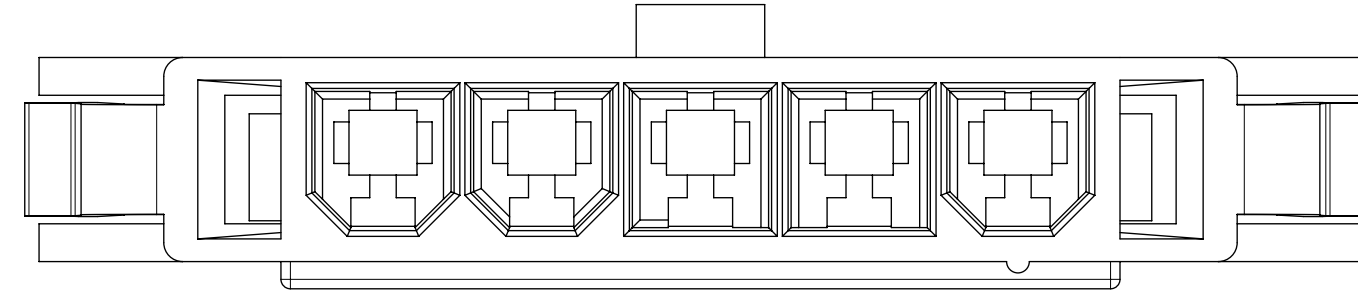
QUALITY SYMBOLS ▽ = 0 ▽ = 2 ▽ = 0 ▽ = 0 ▽ = 0 ▽ = 0 ▽ = 0 ▽ = 0 ▽ = 0 ▽ = 0	THIS DRAWING CONTAINS INFORMATION THAT IS PROPRIETARY TO MOLEX ELECTRONIC TECHNOLOGIES, LLC AND SHOULD NOT BE USED WITHOUT WRITTEN PERMISSION		GENERAL TOLERANCES (UNLESS SPECIFIED) ANGULAR TOL ± 0.5 °		DIMENSION UNITS: mm SCALE: 5:1			
	EC NO: 167997 DRWN: AZAHIROVIC CHKD: JBELL APPR: FSMITH		4 PLACES ± 3 PLACES ± 2 PLACES ± 0.13 1 PLACE ± 0.2 0 PLACES ±		DRWN BY: TGREGORI DATE: 2016/10/18 CHKD BY: TGREGORI DATE: 2016/10/18 APPR BY: RHODGE DATE: 2016/10/20			
	UPDATE NOTE 4 2017/11/14 2017/12/19 2018/01/08		DRAFT WHERE APPLICABLE MUST REMAIN WITHIN DIMENSIONS		DRAWING SIZE: C THIRD ANGLE PROJECTION		PRODUCT CUSTOMER DRAWING	
	A3		SERIES: 200488 MATERIAL NUMBER: SEE TABLE CUSTOMER: GENERAL MARKET		DOCUMENT NUMBER: 2004880000-SD DOC TYPE: PSD DOC PART: 000 SHEET NUMBER: 1 OF 2			

POLARIZATION DETAIL

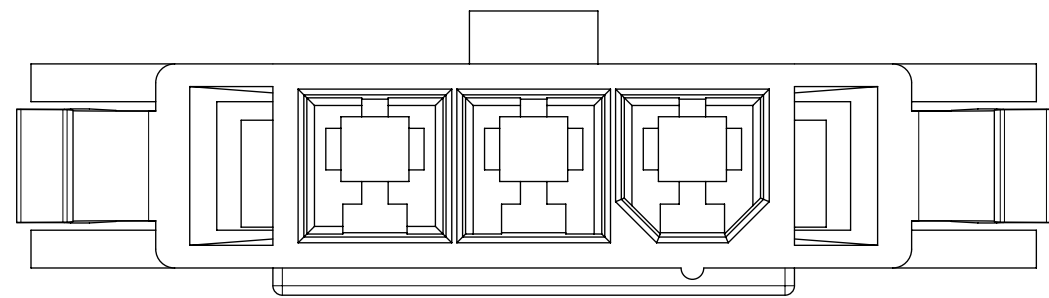
2 CKT



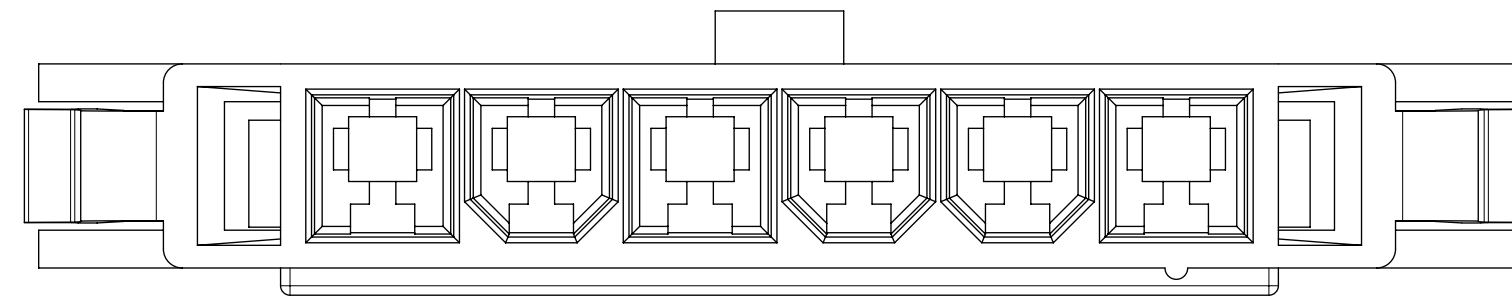
5 CKT



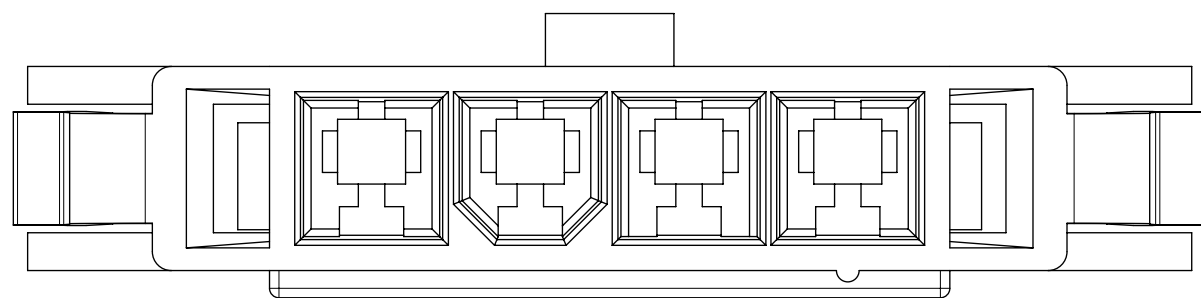
3 CKT



6 CKT



4 CKT



QUALITY SYMBOLS		THIS DRAWING CONTAINS INFORMATION THAT IS PROPRIETARY TO MOLEX ELECTRONIC TECHNOLOGIES, LLC AND SHOULD NOT BE USED WITHOUT WRITTEN PERMISSION											
▽ = 0	UPDATE NOTE 4 EC NO: 167997 DRWN: AZAHIROVIC CHKD: JBELL REV / APPR: FSMITH 2017/11/14 2017/12/19 2018/01/08	GENERAL TOLERANCES (UNLESS SPECIFIED)				DIMENSION UNITS		SCALE					
▽ = 0		ANGULAR TOL ± 0.5 °				mm		5:1					
▽ = 0		4 PLACES ±				DRWN BY		DATE		HOUSING, SINGLE ROW PLUG PANEL MOUNT MINI-FIT TPA2			
▼ = 0		3 PLACES ±				TGREGORI		2016/10/18					
▽ = 0		2 PLACES ± 0.13				CHKD BY		DATE		PRODUCT CUSTOMER DRAWING			
▽ = 0		1 PLACE ± 0.2				TGREGORI		2016/10/18					
⊠ = 0		0 PLACES ±				APPR BY		DATE		SERIES: 200488 MATERIAL NUMBER: SEE TABLE CUSTOMER: GENERAL MARKET			
■ = 0		DRAFT WHERE APPLICABLE MUST REMAIN WITHIN DIMENSIONS				RHODGE		2016/10/20					
▽ = 0		DRAWING SIZE		THIRD ANGLE PROJECTION		DRAWING SIZE		THIRD ANGLE PROJECTION		DOCUMENT NUMBER: 2004880000-SD DOC TYPE: PSD DOC PART: 000 SHEET NUMBER: 2 OF 2			
		C				C							