

4

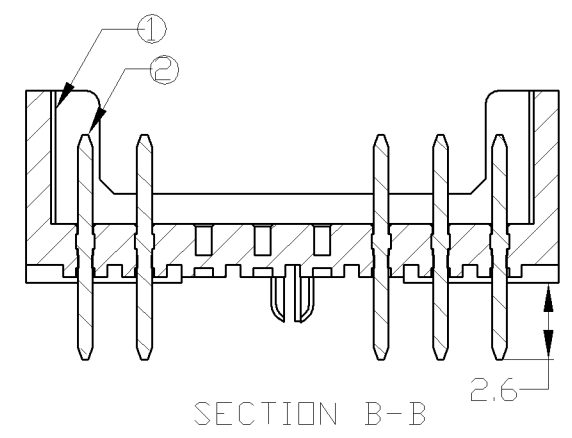
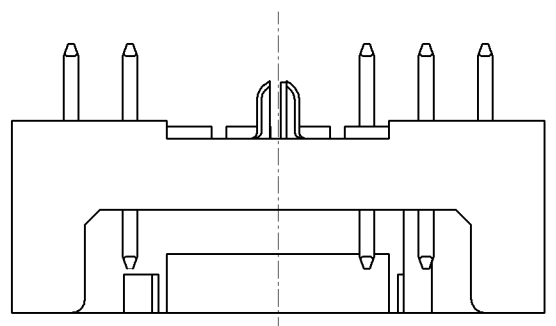
3

2

1

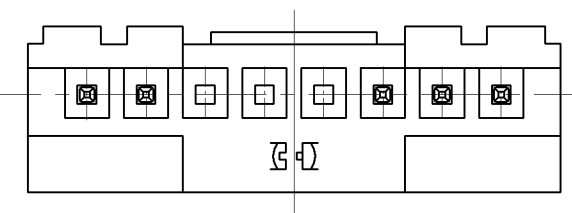
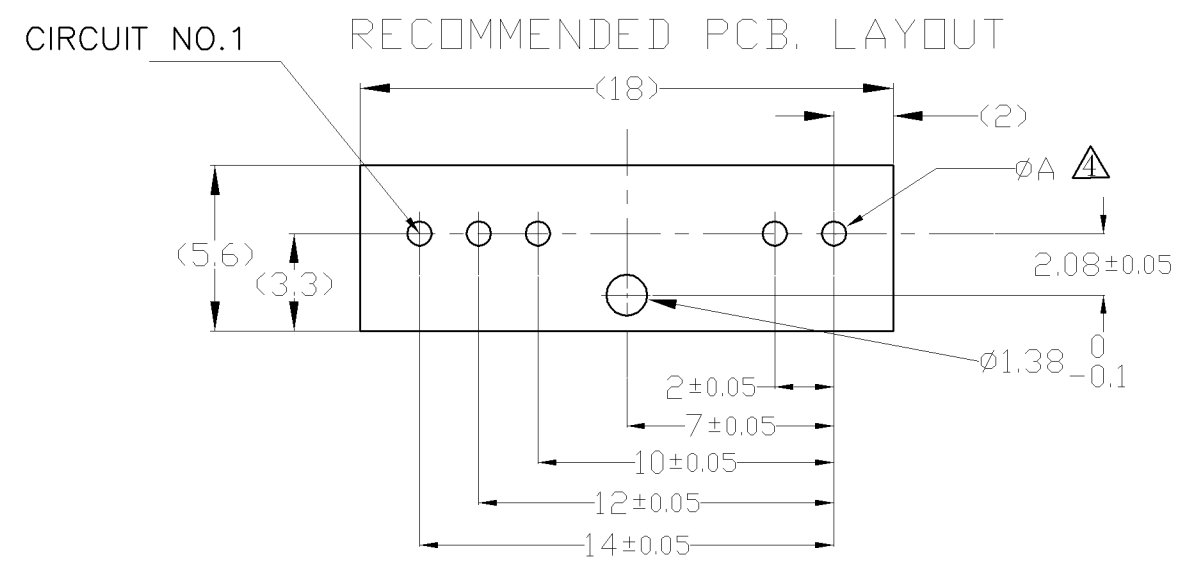
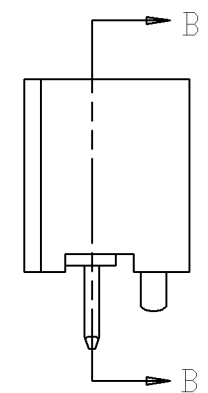
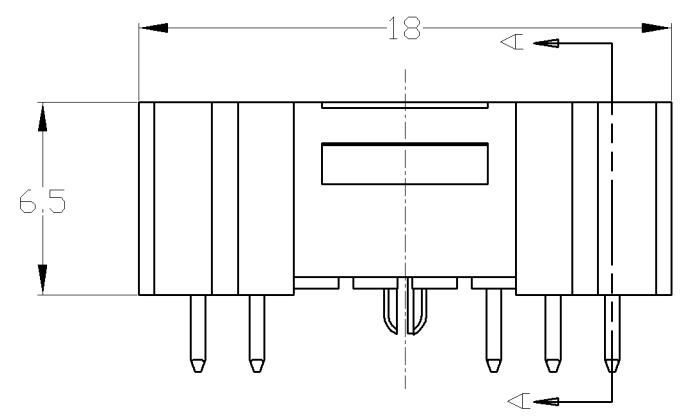
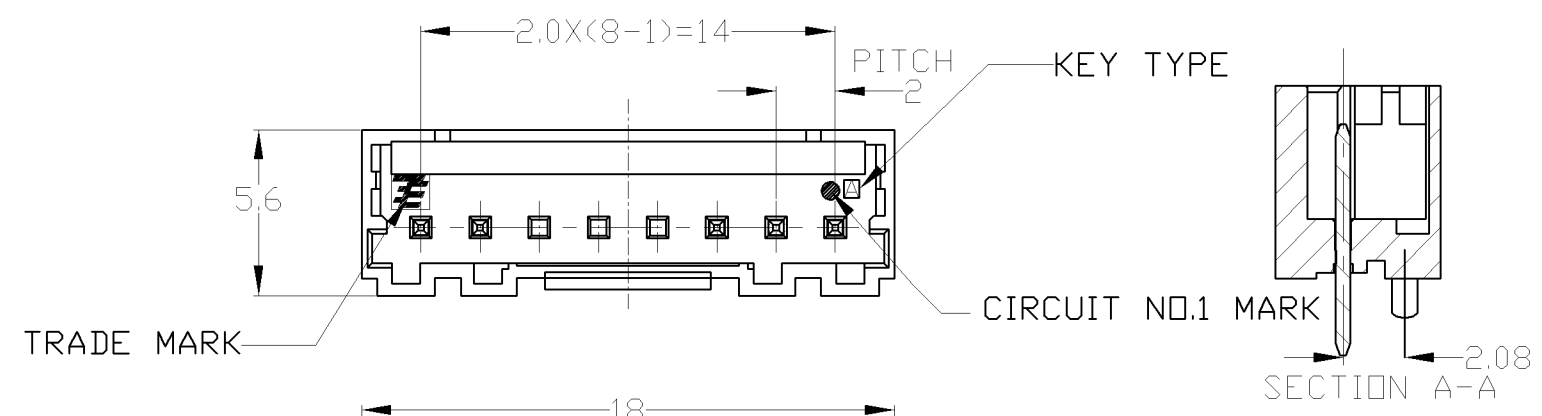
THIS DRAWING IS UNPUBLISHED. RELEASED FOR PUBLICATION
 © COPYRIGHT - BY TYCO ELECTRONICS CORPORATION. ALL RIGHTS RESERVED.

LOC	DIST	REVISIONS			
P	LTR	DESCRIPTION	DATE	DWN	APVD
ES	-	A	RELEASED	30OCT2008	JL JZ



NOTE:
 1. GENERAL TOLERANCE: $\pm 0.3, \pm 0.3^\circ$
 2. MATERIAL: 66NYLON GF (UL94V-0)
 3. MATING CONN.P/N: SEE TABLE
 ▲ APPLICABLE P.C.B HOLE DIA: ϕA
 PACHED HOLE: $\phi 0.75 + 0.1 / - 0$
 DRILLED HOLE: $\phi 0.90 \pm 0.05$

NO.	NAME	MATERIAL
①	HDR HOUSING	66NYLON GF (UL94V-0)
②	POST CONTACT	BRASS H06 PRE-Tin



THIS DRAWING IS A CONTROLLED DOCUMENT.		DWN JIMMY LIU 30OCT2008	Tyco Electronics Corporation Shanghai, China			
DIMENSIONS: mm		CHK HAPYE WU 30OCT2008				
TOLERANCES UNLESS OTHERWISE SPECIFIED:		APVD JULIAN ZHOU 30OCT2008	NAME GIC 2.0 EV SERIES 5/8P HEADER ASSEMBLY			
0 PLC ± - 1 PLC ± - 2 PLC ± - 3 PLC ± - 4 PLC ± - ANGLES ± -		PRODUCT SPEC 108-106001				
MATERIAL		APPLICATION SPEC 114-5425	SIZE A3	CAGE CODE 00779	DRAWING NO C=1971200	RESTRICTED TO -
FINISH		WEIGHT	SCALE 4:1		SHEET 1 OF 1	REV A
		CUSTOMER DRAWING				