

2-2205129-4 ✓ ACTIVE

TE Internal #: 2-2205129-4

INDUSTRIAL MINI I/O Pigtail Cable Assembly, 8 Positions, 9.84 ft [3 m], 1 Gb/s, Black Cable, Shielded, 26 AWG, .129 mm², Twisted Pair

[View on TE.com >](#)



Cable Assemblies > Copper Cable Assemblies > Pluggable I/O Cable Assemblies



Cable Assembly Type: INDUSTRIAL MINI I/O Pigtail

Equalized: No

Wire Size: .129 mm²

Outside Cable Diameter: 6.2 mm [.244 in]

Features

Product Type Features

Latching Style	Slide Latch
Cable Assembly Category	Industry Standard
Cable Assembly Type	INDUSTRIAL MINI I/O Pigtail
Connector Type (End A)	INDUSTRIAL MINI I/O Plug
Cable Style	Twisted Pair

Configuration Features

Number of Positions	8
Number of Signal Positions	8

Electrical Characteristics

Impedance	100 Ω
-----------	-------

Signal Characteristics

Data Rate	1 Gb/s
-----------	--------

Body Features

Shield Material	Copper Alloy
Jacket Material	PUR
Equalized	No
Cable Color	Black
Cable Flammability Rating	UL 444

Contact Features



Contact Mating Area Plating Material Thickness	19.68 μm[.5 μin]
--	------------------

Contact Mating Area Plating Material	Gold
--------------------------------------	------

Housing Features

Housing Material	Thermoplastic
------------------	---------------

Dimensions

Wire Size	.129 mm ²
-----------	----------------------

Outside Cable Diameter	6.2 mm[.244 in]
------------------------	-----------------

Operation/Application

Shielded	Yes
----------	-----

Halogen Free	Yes
--------------	-----

Industry Standards

Performance Category	Cat 5e
----------------------	--------

Other

Cable Assembly Configuration	Single Ended
------------------------------	--------------

Cable Assembly Length	3 m[9.84 ft]
-----------------------	--------------

Product Compliance

[For compliance documentation, visit the product page on TE.com>](#)

EU RoHS Directive 2011/65/EU	Compliant
------------------------------	-----------

EU ELV Directive 2000/53/EC	Compliant
-----------------------------	-----------

China RoHS 2 Directive MIIT Order No 32, 2016	No Restricted Materials Above Threshold
---	---

EU REACH Regulation (EC) No. 1907/2006	Current ECHA Candidate List: JUNE 2023 (235) Candidate List Declared Against: JAN 2021 (211) Does not contain REACH SVHC
--	--

Halogen Content	Not Low Halogen - contains Br or Cl > 900 ppm.
-----------------	--

Solder Process Capability	Not applicable for solder process capability
---------------------------	--

Product Compliance Disclaimer

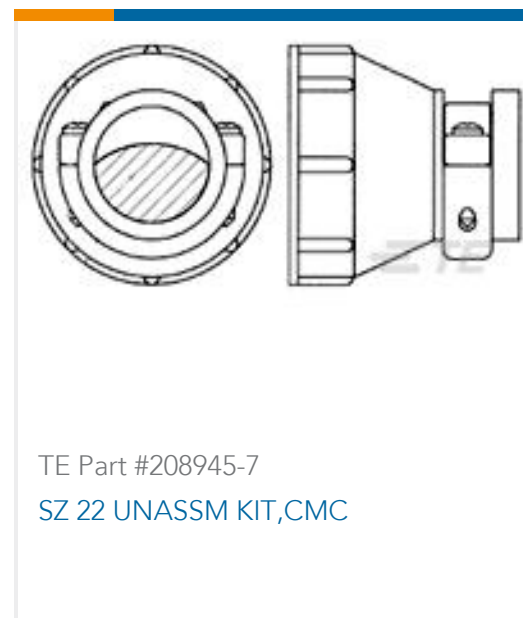
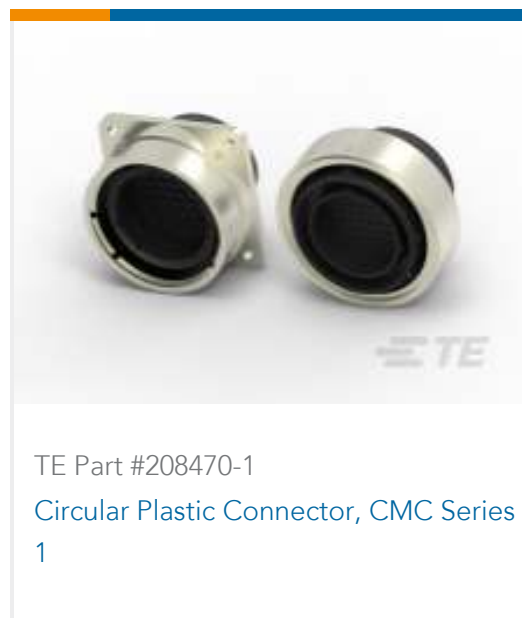
This information is provided based on reasonable inquiry of our suppliers and represents our current actual knowledge based on the information they provided. This information is subject to change. The part numbers that TE has identified as EU RoHS compliant have a maximum concentration of 0.1% by weight in homogenous materials for lead, hexavalent chromium, mercury, PBB, PBDE, DBP, BBP, DEHP, DIBP, and 0.01% for cadmium, or qualify for an exemption to these limits as defined in the Annexes of Directive 2011/65/EU (RoHS2). Finished electrical and electronic equipment products will be CE marked as required by Directive 2011/65/EU. Components may not be CE marked. Additionally, the part numbers that TE has identified as EU ELV compliant have a maximum concentration of 0.1% by weight in homogenous

materials for lead, hexavalent chromium, and mercury, and 0.01% for cadmium, or qualify for an exemption to these limits as defined in the Annexes of Directive 2000/53/EC (ELV). Regarding the REACH Regulation, the information TE provides on SVHC in articles for this part number is based on the latest European Chemicals Agency (ECHA) 'Guidance on requirements for substances in articles' posted at this URL: <https://echa.europa.eu/guidance-documents/guidance-on-reach>

Compatible Parts



Customers Also Bought



Documents

Product Drawings
CA MINI IO TYPE I PIGTAIL



English

Product Specifications

Application Specification

English

Product Environmental Compliance

Product Compliance

English

Product Compliance

English