

FLS CO M12 DI 16 M12 - Distributed I/O device



2736479

<https://www.phoenixcontact.com/us/products/2736479>

Please be informed that the data shown in this PDF document is generated from our online catalog. Please find the complete data in the user documentation. Our general terms of use for downloads are valid.



The stand-alone device for CANopen[®] has 16 digital inputs. The M12 connection is established using fast connection technology. The 24 V DC supply is protected against short circuit and overload. The nominal current of the device is 1.2 A.

Your advantages

- Directly accessible address encoding switch
- Consistent connection via M12 connectors
- Diagnostic and status indicators
- SPEEDCON fast locking system
- Short-circuit and overload protection
- Flexible power supply concept

Commercial data

Item number	2736479
Packing unit	1 pc
Minimum order quantity	1 pc
Note	Made to order (non-returnable)
Sales key	DR03
Product key	DRI4A3
Catalog page	Page 236 (C-6-2017)
GTIN	4017918974268
Weight per piece (including packing)	339.4 g
Weight per piece (excluding packing)	310 g
Customs tariff number	85176200
Country of origin	CN

FLS CO M12 DI 16 M12 - Distributed I/O device

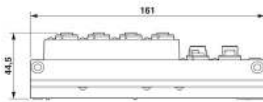


2736479

<https://www.phoenixcontact.com/us/products/2736479>

Technical data

Dimensions

Dimensional drawing	
Width	60 mm
Height	161 mm
Depth	44.5 mm
Drill hole spacing	151 mm

Interfaces

CANopen[®]

Connection method	2 M12 connectors, A-coded
Number of positions	5
Transmission speed	10, 20, 50, 125, 250, 500, 1000 kBit/s (Automatic baud rate detection)
Transmission physics	Copper cable with optional power supply in acc. with CAN standard
Address area assignment	1 ... 126, adjustable

System properties

System limits

Number of local bus devices that can be connected	0
Number of devices with parameter channel	0

Module

Input address area	16 bit
Output address area	0 bit
Register length	16 bit

Input data

Digital

Input name	Digital inputs
Description of the input	IEC 61131-2 type 1
Number of inputs	16
Connection method	M12 connector, double occupancy
Connection technology	2-, 3-, 4-conductor
Input voltage	24 V DC
Input voltage range "0" signal	-30 V DC ... 5 V DC

FLS CO M12 DI 16 M12 - Distributed I/O device



2736479

<https://www.phoenixcontact.com/us/products/2736479>

Input voltage range "1" signal	13 V DC ... 30 V DC
Nominal input voltage U_{IN}	24 V DC
Filter time	1 ms
Protective circuit	Reverse polarity protection

Product properties

Type	Block design
Product type	I/O component
Product family	Fieldline
No. of channels	16

Electrical properties

No. of channels	16
-----------------	----

Potentials

Voltage supply U_L	24 V DC
Power supply at U_L	max. 4 A
Current consumption from U_L	typ. 65 mA max. 100 mA
Voltage supply U_S	24 V DC
Power supply at U_S	max. 4 A
Current consumption from U_S	typ. 8 mA (plus sensor current) max. 1.2 A

Supply: Module electronics

Connection method	M12 connector (A-coded)
Designation	U_L
Supply voltage	24 V DC
Supply voltage range	18 V DC ... 30 V DC (including ripple)

Connection data

Connection method	M12 connector
-------------------	---------------

Environmental and real-life conditions

Ambient conditions

Ambient temperature (operation)	-25 °C ... 60 °C
Degree of protection	IP65/IP67
Air pressure (operation)	80 kPa ... 106 kPa (up to 2000 m above sea level)
Air pressure (storage/transport)	70 kPa ... 106 kPa (up to 3000 m above sea level)
Ambient temperature (storage/transport)	-25 °C ... 85 °C
Permissible humidity (storage/transport)	95 %

Standards and regulations

Protection class	III (IEC 61140, EN 61140, VDE 0140-1)
------------------	---------------------------------------

FLS CO M12 DI 16 M12 - Distributed I/O device



2736479

<https://www.phoenixcontact.com/us/products/2736479>

Mounting

Mounting type

Wall mounting

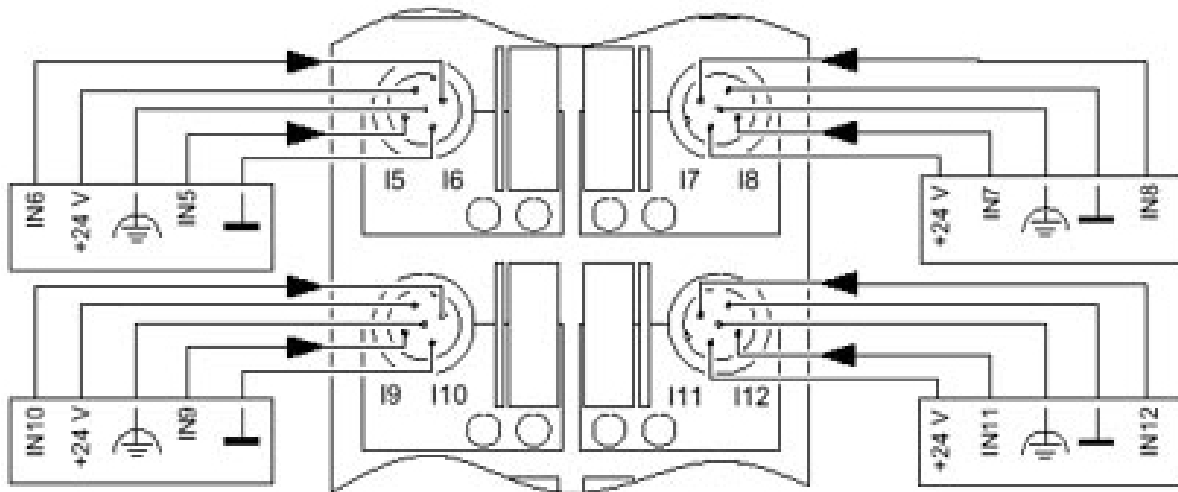
FLS CO M12 DI 16 M12 - Distributed I/O device

2736479

<https://www.phoenixcontact.com/us/products/2736479>

Drawings

Connection diagram



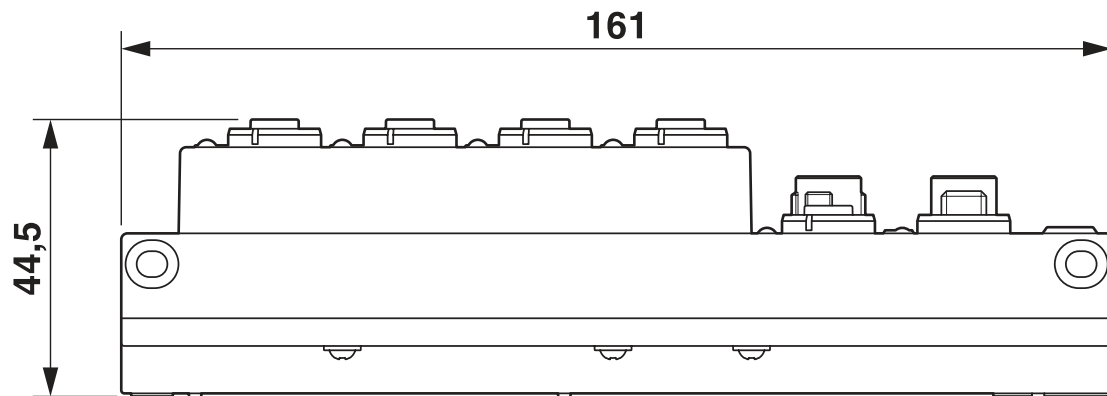
FLS CO M12 DI 16 M12 - Distributed I/O device



2736479

<https://www.phoenixcontact.com/us/products/2736479>

Dimensional drawing



FLS CO M12 DI 16 M12 - Distributed I/O device



2736479

<https://www.phoenixcontact.com/us/products/2736479>

Classifications

ETIM

ETIM 7.0	EC001599
----------	----------

UNSPSC

UNSPSC 21.0	32151602
-------------	----------

FLS CO M12 DI 16 M12 - Distributed I/O device



2736479

<https://www.phoenixcontact.com/us/products/2736479>

Environmental product compliance

China RoHS	Environmentally Friendly Use Period = 50 years For information on hazardous substances, refer to the manufacturer's declaration available under "Downloads"
------------	--

2736479

<https://www.phoenixcontact.com/us/products/2736479>

Accessories

ZBF 12:UNBEDRUCKT - Zack Marker strip, flat

0809735

<https://www.phoenixcontact.com/us/products/0809735>



Zack Marker strip, flat, Strip, white, unlabeled, can be labeled with: PLOTMARK, CMS-P1-PLOTTER, mounting type: snapped, for terminal block width: 12 mm, lettering field size: 5.15 x 12.15 mm, Number of individual labels: 5

PROT-M12 - Screw plug

1680539

<https://www.phoenixcontact.com/us/products/1680539>



An M12 screw plug for the unoccupied M12 sockets of the sensor/actuator cable, boxes and flush-type connectors

FLS CO M12 DI 16 M12 - Distributed I/O device



2736479

<https://www.phoenixcontact.com/us/products/2736479>

SAC-5P-M12MS/ 2,0-920 - Bus system cable

1507421

<https://www.phoenixcontact.com/us/products/1507421>



Bus system cable, CANopen[®], DeviceNet[™], 5-position halogen-free, shielded, Plug straight M12, coding: A, on free cable end, cable length: 2 m

SAC-5P-M12MS/ 5,0-920 - Bus system cable

1507434

<https://www.phoenixcontact.com/us/products/1507434>



Bus system cable, CANopen[®], DeviceNet[™], 5-position halogen-free, shielded, Plug straight M12, coding: A, on free cable end, cable length: 5 m

FLS CO M12 DI 16 M12 - Distributed I/O device



2736479

<https://www.phoenixcontact.com/us/products/2736479>

SAC-5P-M12MS/10,0-920 - Bus system cable

1507447

<https://www.phoenixcontact.com/us/products/1507447>



Bus system cable, CANopen[®], DeviceNet[™], 5-position halogen-free, shielded, Plug straight M12, coding: A, on free cable end, cable length: 10 m

SAC-5P-M12MS/15,0-920 - Bus system cable

1507450

<https://www.phoenixcontact.com/us/products/1507450>



Bus system cable, CANopen[®], DeviceNet[™], 5-position halogen-free, shielded, Plug straight M12, coding: A, on free cable end, cable length: 15 m

FLS CO M12 DI 16 M12 - Distributed I/O device



2736479

<https://www.phoenixcontact.com/us/products/2736479>

SAC-5P- 2,0-920/M12FS - Bus system cable

1507476

<https://www.phoenixcontact.com/us/products/1507476>



Bus system cable, CANopen[®], DeviceNet[™], 5-position halogen-free, shielded, free cable end, on Socket straight M12, coding: A, cable length: 2 m

SAC-5P- 5,0-920/M12FS - Bus system cable

1507489

<https://www.phoenixcontact.com/us/products/1507489>



Bus system cable, CANopen[®], DeviceNet[™], 5-position halogen-free, shielded, free cable end, on Socket straight M12, coding: A, cable length: 5 m

FLS CO M12 DI 16 M12 - Distributed I/O device



2736479

<https://www.phoenixcontact.com/us/products/2736479>

SAC-5P-10,0-920/M12FS - Bus system cable

1507492

<https://www.phoenixcontact.com/us/products/1507492>



Bus system cable, CANopen[®], DeviceNet[™], 5-position halogen-free, shielded, free cable end, on Socket straight M12, coding: A, cable length: 10 m

SAC-5P-15,0-920/M12FS - Bus system cable

1507502

<https://www.phoenixcontact.com/us/products/1507502>



Bus system cable, CANopen[®], DeviceNet[™], 5-position halogen-free, shielded, free cable end, on Socket straight M12, coding: A, cable length: 15 m

FLS CO M12 DI 16 M12 - Distributed I/O device



2736479

<https://www.phoenixcontact.com/us/products/2736479>

SAC-5P-M12MS/ 0,3-920/M12FS - Bus system cable

1507528

<https://www.phoenixcontact.com/us/products/1507528>



Bus system cable, CANopen[®], DeviceNet[™], 5-position halogen-free, shielded, Plug straight M12, coding: A, on Socket straight M12, coding: A, cable length: 0.3 m

SAC-5P-M12MS/ 0,5-920/M12FS - Bus system cable

1507531

<https://www.phoenixcontact.com/us/products/1507531>



Bus system cable, CANopen[®], DeviceNet[™], 5-position halogen-free, shielded, Plug straight M12, coding: A, on Socket straight M12, coding: A, cable length: 0.5 m

FLS CO M12 DI 16 M12 - Distributed I/O device



2736479

<https://www.phoenixcontact.com/us/products/2736479>

SAC-5P-M12MS/ 1,0-920/M12FS - Bus system cable

1507544

<https://www.phoenixcontact.com/us/products/1507544>



Bus system cable, CANopen[®], DeviceNet[™], 5-position halogen-free, shielded, Plug straight M12, coding: A, on Socket straight M12, coding: A, cable length: 1 m

SAC-5P-M12MS/ 2,0-920/M12FS - Bus system cable

1507557

<https://www.phoenixcontact.com/us/products/1507557>



Bus system cable, CANopen[®], DeviceNet[™], 5-position halogen-free, shielded, Plug straight M12, coding: A, on Socket straight M12, coding: A, cable length: 2 m

FLS CO M12 DI 16 M12 - Distributed I/O device



2736479

<https://www.phoenixcontact.com/us/products/2736479>

SAC-5P-M12MS/ 5,0-920/M12FS - Bus system cable

1507560

<https://www.phoenixcontact.com/us/products/1507560>



Bus system cable, CANopen[®], DeviceNet[™], 5-position halogen-free, shielded, Plug straight M12, coding: A, on Socket straight M12, coding: A, cable length: 5 m

SAC-5P-M12MS/10,0-920/M12FS - Bus system cable

1507573

<https://www.phoenixcontact.com/us/products/1507573>



Bus system cable, CANopen[®], DeviceNet[™], 5-position halogen-free, shielded, Plug straight M12, coding: A, on Socket straight M12, coding: A, cable length: 10 m

FLS CO M12 DI 16 M12 - Distributed I/O device



2736479

<https://www.phoenixcontact.com/us/products/2736479>

SAC-5P-M12MS/15,0-920/M12FS - Bus system cable

1507586

<https://www.phoenixcontact.com/us/products/1507586>



Bus system cable, CANopen[®], DeviceNet[™], 5-position halogen-free, shielded, Plug straight M12, coding: A, on Socket straight M12, coding: A, cable length: 15 m

SAC-4P-M12MS/ 2,0-186 - Sensor/actuator cable

1509445

<https://www.phoenixcontact.com/us/products/1509445>



Sensor/actuator cable, 4-position, Plug straight M12, coding: A, connected with unwired, on free cable end, cable length: 2 m

FLS CO M12 DI 16 M12 - Distributed I/O device



2736479

<https://www.phoenixcontact.com/us/products/2736479>

SAC-4P-M12MS/ 5,0-186 - Sensor/actuator cable

1509458

<https://www.phoenixcontact.com/us/products/1509458>



Sensor/actuator cable, 4-position, Plug straight M12, coding: A, connected with unwired, on free cable end, cable length: 5 m

SAC-4P-M12MS/10,0-186 - Sensor/actuator cable

1509461

<https://www.phoenixcontact.com/us/products/1509461>



Sensor/actuator cable, 4-position, Plug straight M12, coding: A, connected with unwired, on free cable end, cable length: 10 m

FLS CO M12 DI 16 M12 - Distributed I/O device



2736479

<https://www.phoenixcontact.com/us/products/2736479>

SAC-4P-M12MS/15,0-186 - Sensor/actuator cable

1509474

<https://www.phoenixcontact.com/us/products/1509474>



Sensor/actuator cable, 4-position, Plug straight M12, coding: A, connected with unwired, on free cable end, cable length: 15 m

SAC-4P- 2,0-186/M12FS - Sensor/actuator cable

1509487

<https://www.phoenixcontact.com/us/products/1509487>



Sensor/actuator cable, 4-position, free cable end, on Socket straight M12, coding: A, cable length: 2 m

FLS CO M12 DI 16 M12 - Distributed I/O device



2736479

<https://www.phoenixcontact.com/us/products/2736479>

SAC-4P- 5,0-186/M12FS - Sensor/actuator cable

1509490

<https://www.phoenixcontact.com/us/products/1509490>



Sensor/actuator cable, 4-position, free cable end, on Socket straight M12, coding: A, cable length: 5 m

SAC-4P-10,0-186/M12FS - Sensor/actuator cable

1509500

<https://www.phoenixcontact.com/us/products/1509500>



Sensor/actuator cable, 4-position, free cable end, on Socket straight M12, coding: A, cable length: 10 m

FLS CO M12 DI 16 M12 - Distributed I/O device



2736479

<https://www.phoenixcontact.com/us/products/2736479>

SAC-4P-15,0-186/M12FS - Sensor/actuator cable

1509513

<https://www.phoenixcontact.com/us/products/1509513>



Sensor/actuator cable, 4-position, free cable end, on Socket straight M12, coding: A, cable length: 15 m

SAC-4P-M12MS/ 0,3-186/M12FS - Sensor/actuator cable

1509526

<https://www.phoenixcontact.com/us/products/1509526>



Sensor/actuator cable, 4-position, Plug straight M12, coding: A, connected with unwired, on Socket straight M12, coding: A, cable length: 0.3 m

FLS CO M12 DI 16 M12 - Distributed I/O device



2736479

<https://www.phoenixcontact.com/us/products/2736479>

SAC-4P-M12MS/ 0,5-186/M12FS - Sensor/actuator cable

1509539

<https://www.phoenixcontact.com/us/products/1509539>



Sensor/actuator cable, 4-position, Plug straight M12, coding: A, connected with unwired, on Socket straight M12, coding: A, cable length: 0.5 m

SAC-4P-M12MS/ 1,0-186/M12FS - Sensor/actuator cable

1509542

<https://www.phoenixcontact.com/us/products/1509542>



Sensor/actuator cable, 4-position, Plug straight M12, coding: A, connected with unwired, on Socket straight M12, coding: A, cable length: 1 m

FLS CO M12 DI 16 M12 - Distributed I/O device



2736479

<https://www.phoenixcontact.com/us/products/2736479>

SAC-4P-M12MS/ 2,0-186/M12FS - Sensor/actuator cable

1509555

<https://www.phoenixcontact.com/us/products/1509555>



Sensor/actuator cable, 4-position, Plug straight M12, coding: A, connected with unwired, on Socket straight M12, coding: A, cable length: 2 m

SAC-4P-M12MS/ 5,0-186/M12FS - Sensor/actuator cable

1509568

<https://www.phoenixcontact.com/us/products/1509568>



Sensor/actuator cable, 4-position, Plug straight M12, coding: A, connected with unwired, on Socket straight M12, coding: A, cable length: 5 m

FLS CO M12 DI 16 M12 - Distributed I/O device



2736479

<https://www.phoenixcontact.com/us/products/2736479>

SAC-4P-M12MS/10,0-186/M12FS - Sensor/actuator cable

1509571

<https://www.phoenixcontact.com/us/products/1509571>



Sensor/actuator cable, 4-position, Plug straight M12, coding: A, connected with unwired, on Socket straight M12, coding: A, cable length: 10 m

SAC-4P-M12MS/15,0-186/M12FS - Sensor/actuator cable

1509584

<https://www.phoenixcontact.com/us/products/1509584>



Sensor/actuator cable, 4-position, Plug straight M12, coding: A, connected with unwired, on Socket straight M12, coding: A, cable length: 15 m

FLS CO M12 DI 16 M12 - Distributed I/O device



2736479

<https://www.phoenixcontact.com/us/products/2736479>

SAC-4P-M12Y/2X0,3-PUR/M12FS VP - Sensor/actuator cable

1510722

<https://www.phoenixcontact.com/us/products/1510722>



Sensor/actuator cable, 4-position halogen-free, Plug straight M12, coding: A, on Socket straight M12, coding: A and Socket straight M12, coding: A, cable length: 0.3 m, Parallel distributor

SACC-M12MS-5CON-PG 9 SH AU - Data connector

1508352

<https://www.phoenixcontact.com/us/products/1508352>



Data connector, CAN Bus/DeviceNet, 5-position, shielded, Plug straight M12, A, Screw connection, knurl material: Zinc die-cast, nickel-plated, cable gland Pg9, external cable diameter 6.5 mm ... 8.5 mm

FLS CO M12 DI 16 M12 - Distributed I/O device



2736479

<https://www.phoenixcontact.com/us/products/2736479>

SACC-M12FS-5CON-PG 9 SH AU - Data connector

1508365

<https://www.phoenixcontact.com/us/products/1508365>



Data connector, CAN Bus/DeviceNet, 5-position, shielded, Socket straight M12, A, Screw connection, knurl material: Zinc die-cast, nickel-plated, cable gland Pg9, external cable diameter 6.5 mm ... 8.5 mm

SAC-M12T/2XM12 CAN - T distributor

1507793

<https://www.phoenixcontact.com/us/products/1507793>



T distributor, CANopen[®], DeviceNet[™], 5-position, Plug straight M12, coding: A, on Socket straight M12, coding: A and Socket straight M12, coding: A

FLS CO M12 DI 16 M12 - Distributed I/O device

2736479

<https://www.phoenixcontact.com/us/products/2736479>



SAC-5P-M12MS CAN TR - Termination resistor

1507816

<https://www.phoenixcontact.com/us/products/1507816>



Terminating resistor CANopen[®]/DeviceNet[™] M12

Phoenix Contact 2023 © - all rights reserved

<https://www.phoenixcontact.com>

Phoenix Contact USA
586 Fulling Mill Road
Middletown, PA 17057, United States
(+717) 944-1300
info@phoenixcon.com