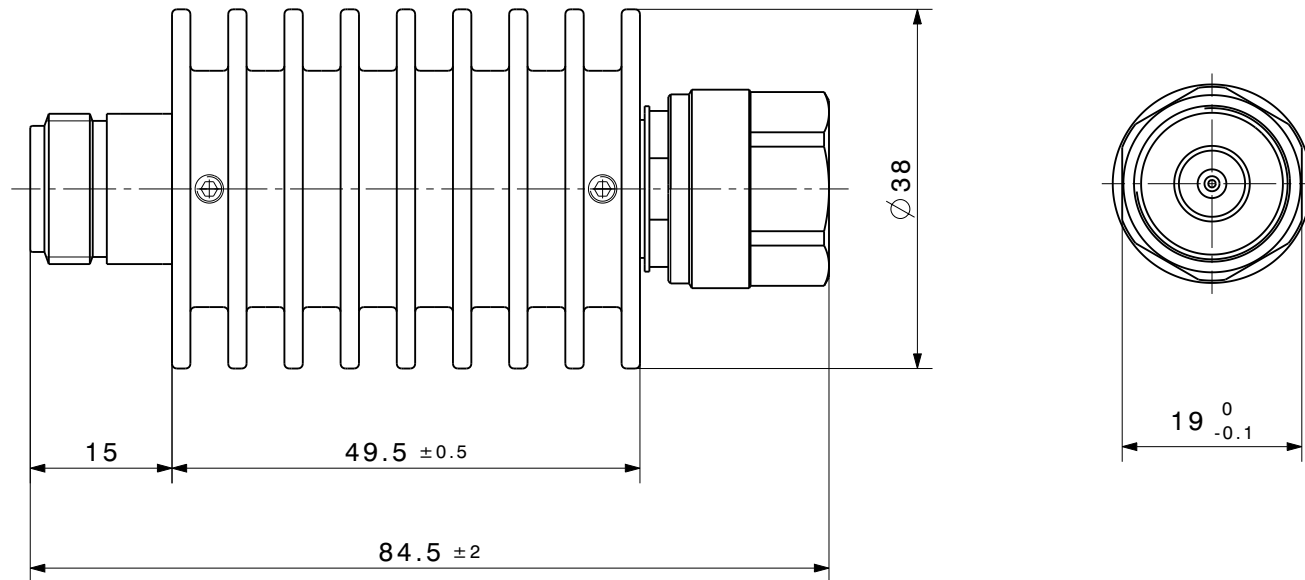


Types:

5903.17.0004

5906.17.0004



Type:

⚠ All dimensions after treatment in millimeter (mm)

Assembly drawing

Released date: 31.10.2022

alternative ID

3D-ID PRO-01168087 A Sheet: 1 / 1

HUBER+SUHNER

description

Attenuator

ID

Release
DOU-01168088 A