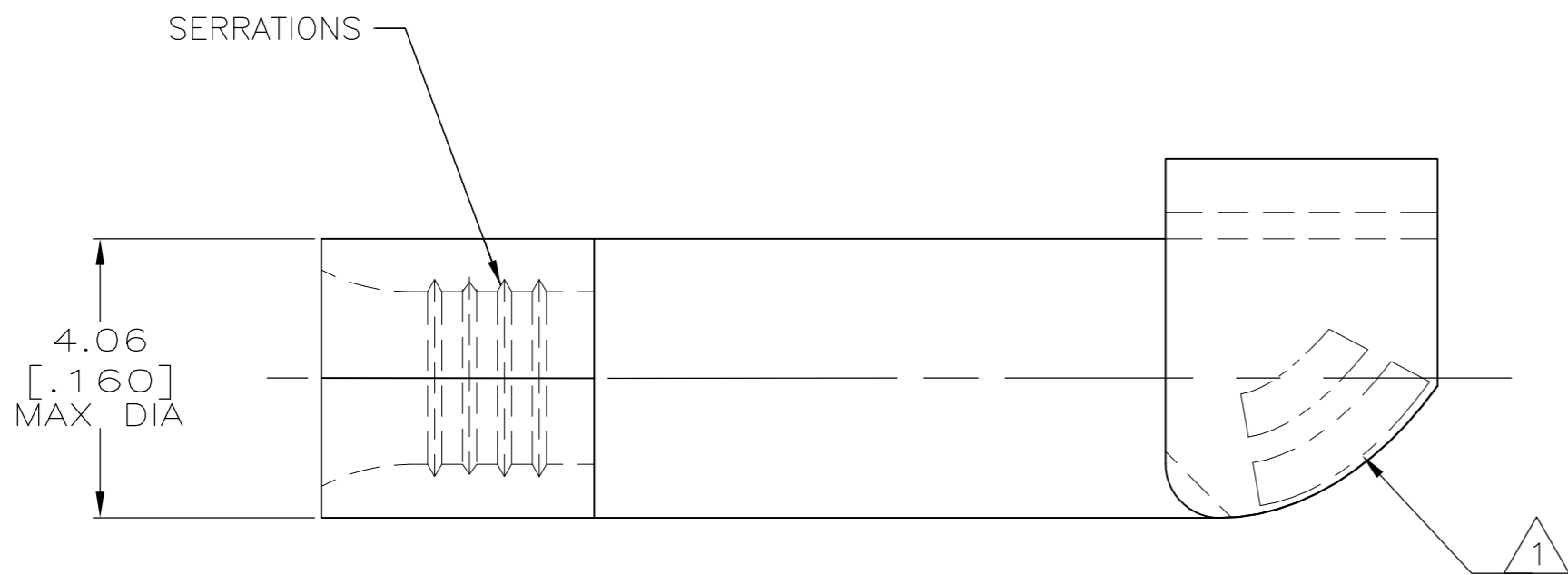


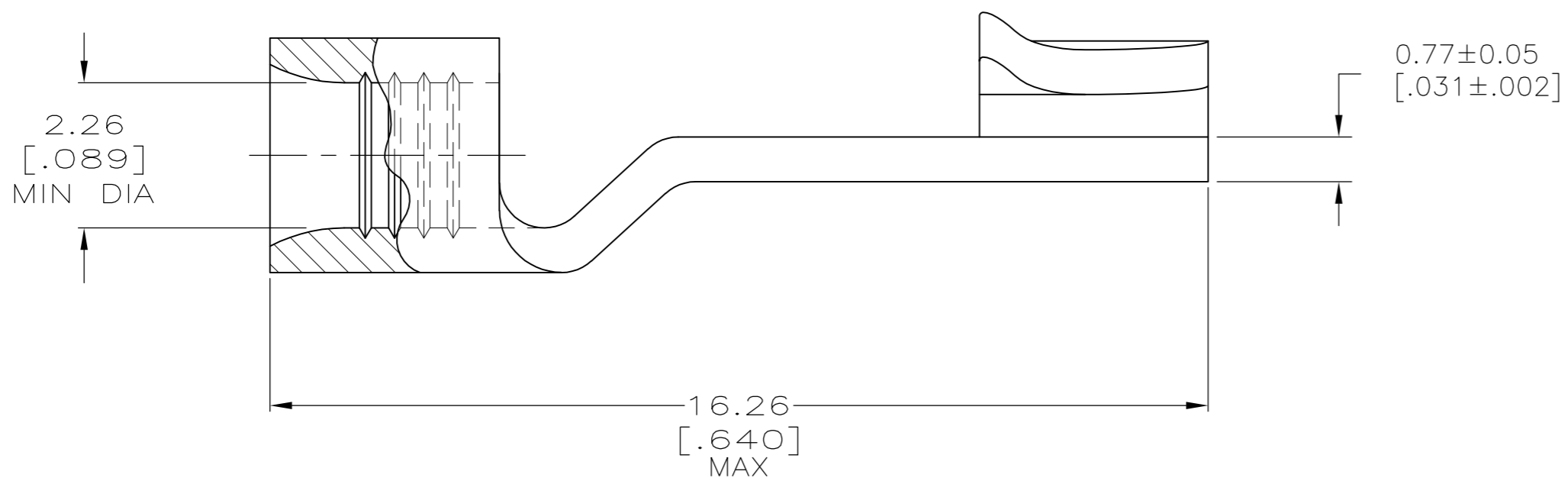
THIS DRAWING IS UNPUBLISHED. RELEASED FOR PUBLICATION
 © COPYRIGHT - By - ALL RIGHTS RESERVED.

LOC	DIST	REVISIONS			
P	LTR	DESCRIPTION	DATE	DWN	APVD
G	14	C1	REVISED PER ECO-13-000091	04JAN13	KH DR



AMP WIRE RANGE	UL E13288 RECOGNIZED
16-14 AWG STRANDED	16-14 AWG STRANDED
SP LR7189 Certified	MILITARY P/N AND CLASS
NOT CERTIFIED	NOT APPLICABLE

1 STAMP AMP 16-14* APPROX AS SHOWN



AMP INCORPORATED CUSTOMER SERVICE SYSTEMS		MAX RECOMMENDED OPERATING TEMPERATURE: 170° C MAX
FOR ADDITIONAL PRODUCT INFORMATION OR COPIES OF DRAWINGS AND TECHNICAL DOCUMENTS	PRODUCT INFORMATION CENTER 1-800-522-6752	VOLTAGE RATING: NOT APPLICABLE
FOR APPLICATION TOOLING INFORMATION	TOOLING ASSISTANCE CENTER 1-800-722-1111	WIRE CROSS SECTIONAL AREA RANGE: 1.04-2.62mm ² [2,050-5,180] CIR MILS STRANDED
FOR ORDER ENTRY	1-800-526-5142	THIS DRAWING IS A CONTROLLED DOCUMENT FOR AMP INCORPORATED. IT IS SUBJECT TO CHANGE AND THE CONTROLLING ENGINEERING ORGANIZATION SHOULD BE CONTACTED FOR THE LATEST REVISION.

OBSOLETE	5000	ON TAPE, REEL	2-31938-1
		LOOSE PIECE	31938
QTY		PACKAGE TYPE	PART NO

THIS DRAWING IS A CONTROLLED DOCUMENT.		DWN DK SCHRUM 05JUL94	TE TE Connectivity	
DIMENSIONS: mm [INCHES]		CHK DA PATTERSON 08AUG94	NAME	
TOLERANCES UNLESS OTHERWISE SPECIFIED:		APVD CH KULYNYCH 08AUG94	TERMINAL, KNIFE DISCONNECT, BUDGET	
0 PLC ± -		PRODUCT SPEC	SIZE CAGE CODE DRAWING NO RESTRICTED TO	
1 PLC ± -		APPLICATION SPEC	A2 00779 C-31938	
2 PLC ± -		WEIGHT	SCALE 10:1 SHEET 1 OF 1 REV C1	
3 PLC ± -				
4 PLC ± -				
ANGLES ± -				
MATERIAL	FINISH	CUSTOMER DRAWING		
COPPER PER ASTM B-152 ANNEALED	TIN PLATE 0.00254[0.00100] MIN THK PER MIL-T-10727			