



Certifications & Ratings

- RoHS compliant
- NEMA 4X
- IP67

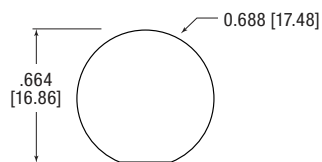
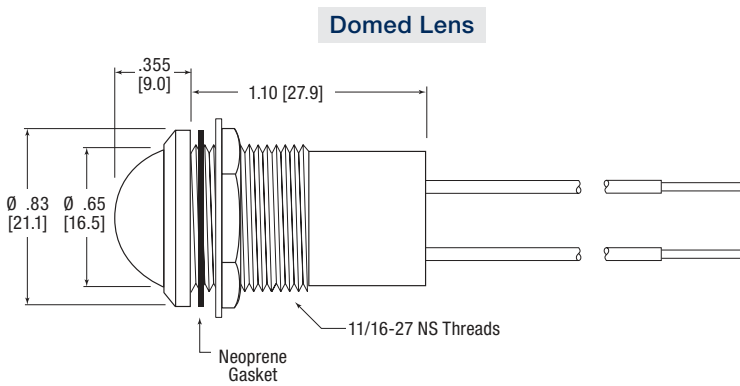
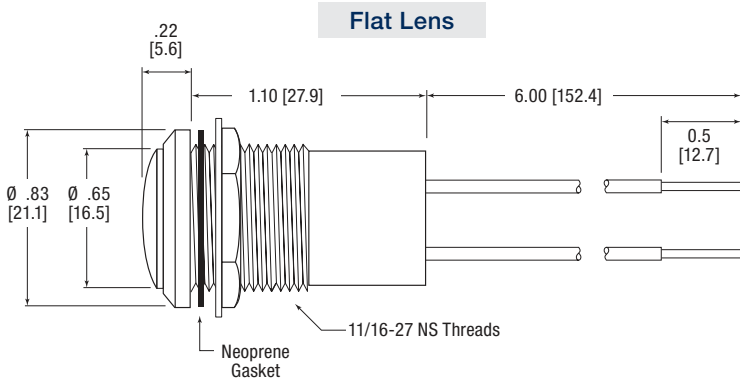
Application

The 657 Series LED Panel Mount Indicators are designed with a highly durable watertight housing. These indicators are designed for a variety of applications such as:

- Electrical control panels
 - Wastewater treatment controls
 - Buses and transit vehicles dashboards
 - Agricultural and construction equipment dashboards
 - Aircraft and military vehicles dashboards
 - Status Indication on industrial equipment
- ... and many more!

Dimensions

inches [mm]



Recommended Mounting Hole

Mechanical Information

Mounting Hole Size: 0.687" (17.46 mm)

Max Panel Thickness: 0.350" (8.89 mm)

Mounting Torque: 15 in-lbs

Specifications

Voltage Options: 5, 12, & 24 VDC (no resistor required)

Operating Temp: -35°C to +65°C (-31°F to +149°F)

Storage Temp: -40°C to +100°C (-40°F to +212°F)

Electrical

Connection: 18 AWG anti-capillary wire

Housing: Polycarbonate (UL 94V-0)

Lens Material: Polycarbonate (UL 94V-0)

Wire Leads: 6"

Lock Washer: White Nickel Plated Bronze

Nut: White Nickel Plated Brass

Ordering Information 657 Series

Flat

Part Number			LED Color	Curr. (mA)	Typical Intensity (mcd)
5 VDC	12 VDC	24 VDC			

White Diffused Lens

5 VDC	12 VDC	24 VDC	LED Color	Curr. (mA)	Typical Intensity (mcd)
657-1002-303F	657-1003-303F	657-1004-303F	○ White	20	150
657-1502-303F	657-1503-303F	657-1504-303F	● Red		150
657-1602-303F	657-1603-303F	657-1604-303F	● Green		160
657-1702-303F	657-1703-303F	657-1704-303F	● Yellow		100
657-1802-303F	657-1803-303F	657-1804-303F	● Blue		75
657-1902-303F	657-1903-303F	657-1904-303F	● Orange		100

Tinted Diffused Lens

5 VDC	12 VDC	24 VDC	LED Color	Curr. (mA)	Typical Intensity (mcd)
657-1502-103F	657-1503-103F	657-1504-103F	● Red	20	650
657-1602-103F	657-1603-103F	657-1604-103F	● Green		1150
657-1702-103F	657-1703-103F	657-1704-103F	● Yellow		550
657-1802-103F	657-1803-103F	657-1804-103F	● Blue		200
657-1902-103F	657-1903-103F	657-1904-103F	● Orange		700

Domed

Part Number			LED Color	Curr. (mA)	Typical Intensity (mcd)
5 VDC	12 VDC	24 VDC			

White Diffused Lens

5 VDC	12 VDC	24 VDC	LED Color	Curr. (mA)	Typical Intensity (mcd)
657-2002-303F	657-2003-303F	657-2004-303F	○ White	20	85
657-2502-303F	657-2503-303F	657-2504-303F	● Red		115
657-2602-303F	657-2603-303F	657-2604-303F	● Green		150
657-2702-303F	657-2703-303F	657-2704-303F	● Yellow		115
657-2802-303F	657-2803-303F	657-2804-303F	● Blue		70
657-2902-303F	657-2903-303F	657-2904-303F	● Orange		450

Tinted Diffused Lens

5 VDC	12 VDC	24 VDC	LED Color	Curr. (mA)	Typical Intensity (mcd)
657-2502-103F	657-2503-103F	657-2504-103F	● Red	20	900
657-2602-103F	657-2603-103F	657-2604-103F	● Green		1600
657-2702-103F	657-2703-103F	657-2704-103F	● Yellow		1250
657-2802-103F	657-2803-103F	657-2804-103F	● Blue		250
657-2902-103F	657-2903-103F	657-2904-103F	● Orange		1500

Part Number Guide											RoHS Compliant	
6	5	7	-	X	X	X	X	-	X	0	3	F
Lens Style			LED Color			Voltage		Lens Color				
Flat	1	○ White	0	0	2	5VDC	1	Tinted Diffused*				
		● Red	5	0	3	12VDC		White Diffused				
Domed	2	● Green	6	0	4	24VDC	3	* will be same as LED color				
		● Yellow	7	0								
		● Blue	8	0								
		● Orange	9	0								

Dialight reserves the right to make changes at any time in order to supply the best product possible. The most current version of this document will always be available at: www.dialightsignalsandcomponents.com

Warranty Statement: Except for the warranty expressly provided for [herein/above/below], Dialight disclaims any and all other warranties, express or implied, including, without limitation, any warranties of merchantability, fitness for a particular purpose, title, and noninfringement.